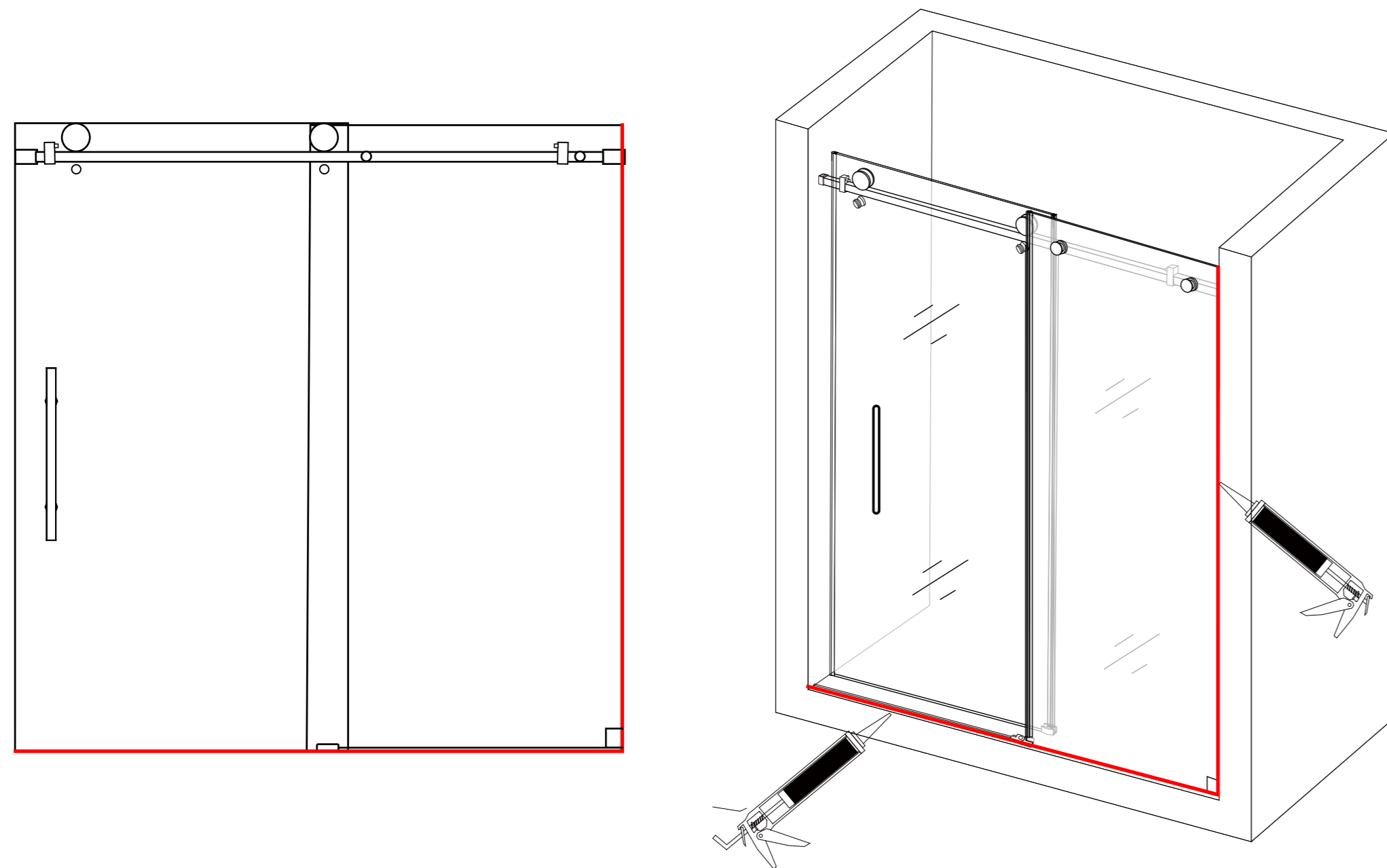
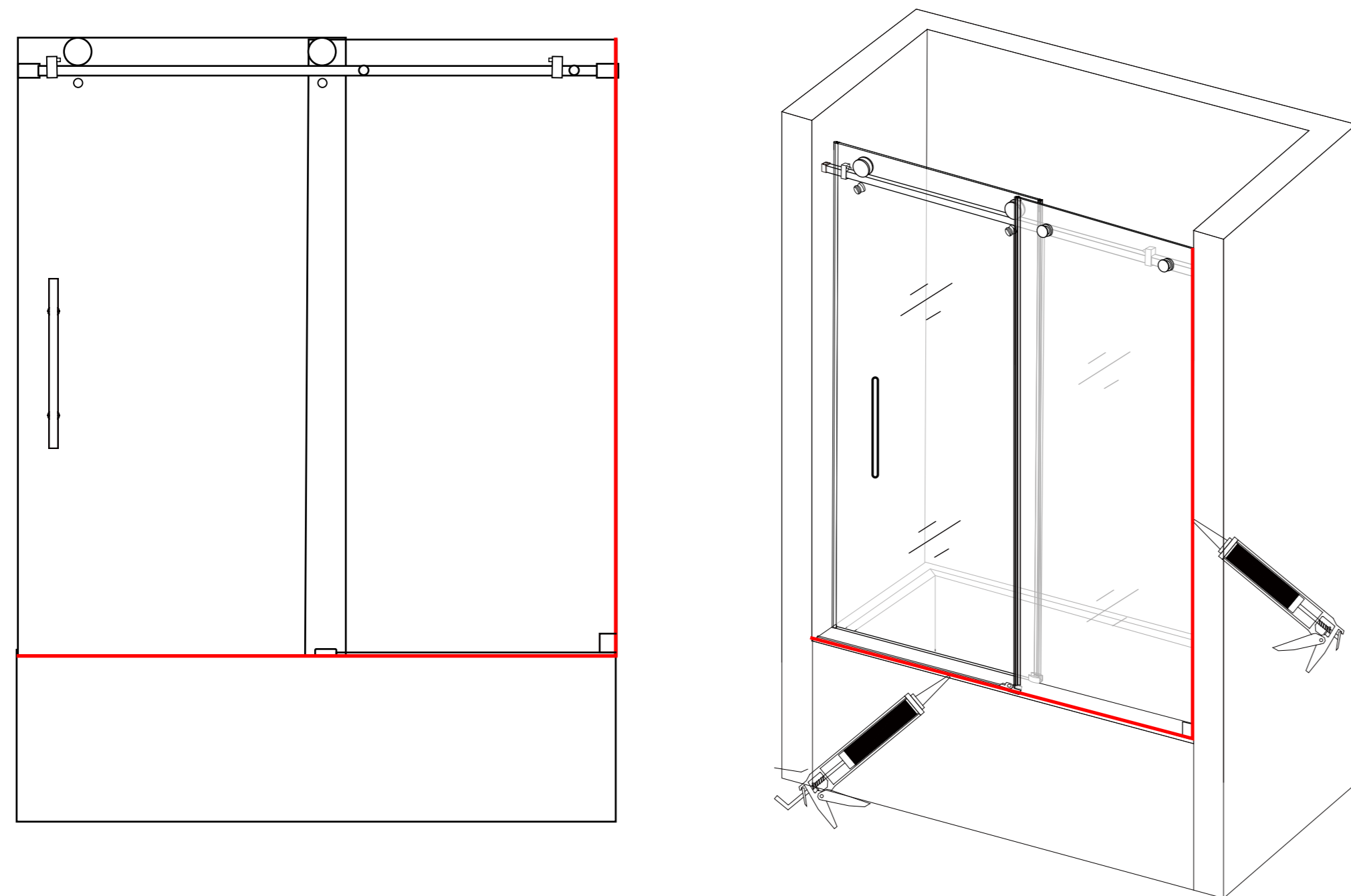


16. Apply silicone sealant on the seams between the stationary glass and the shower base, and between the wall and the stationary glass.



TUB DOORS INSTALLATION the same as SHOWERDOORS



MUST ALLOW SILICONE TO DRY FOR 24 HOURS BEFORE STARTING USING THE SHOWER

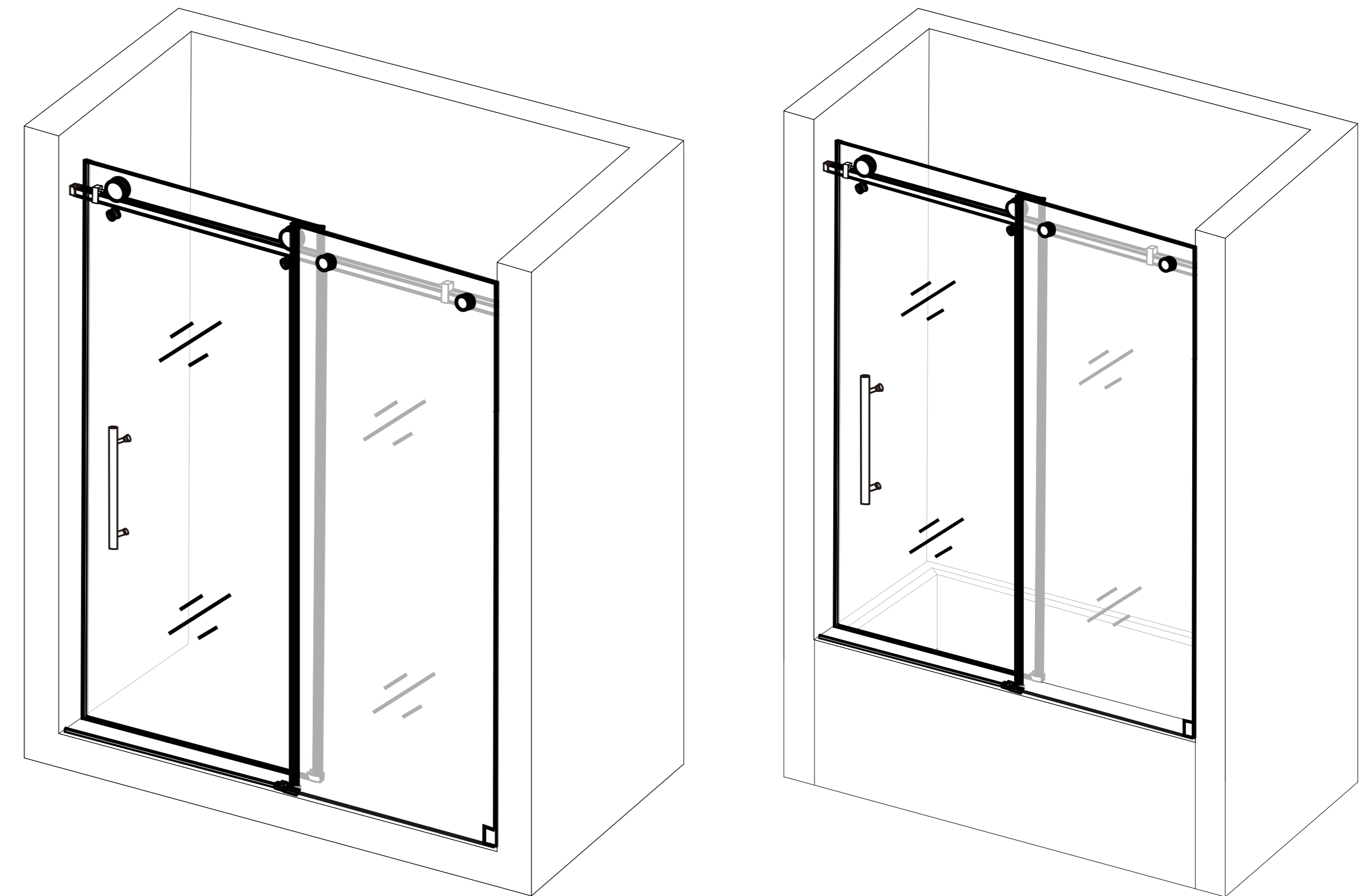
INSTALLATION INSTRUCTIONS

SHOWER DOOR

DELAVIN

X101/X707

60"/54"/48"



E-MAIL: service@delavinhome.com



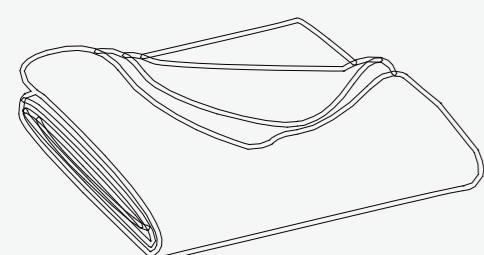
Please read all instructions carefully before installation.



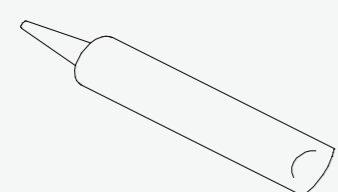
Due to the complexity of the installation process, professional personnel are recommended.

Tools Required

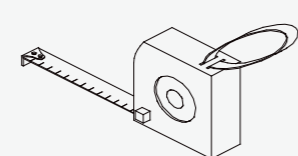
Other tools may be required



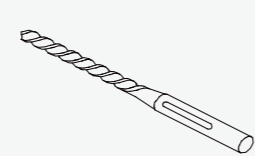
Soft Cloth or Blanket



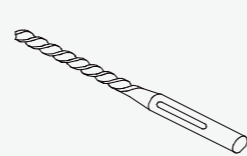
Caulk



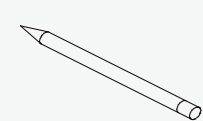
Tape Measure



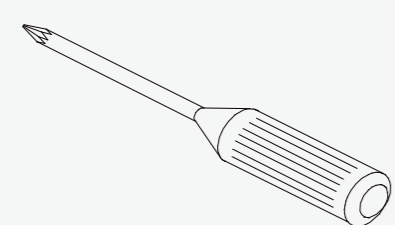
Drill Bit
(Ø = 1/4")



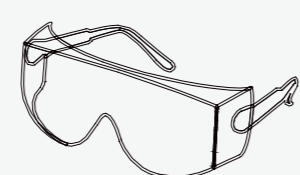
Drill Bit
(Ø = 5/16")



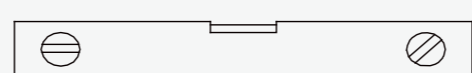
Pencil



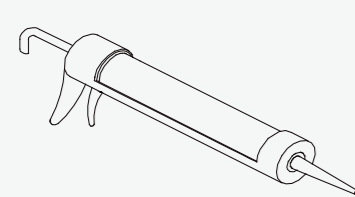
Phillips Screwdriver



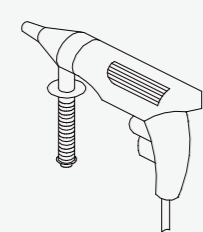
Safety Glass



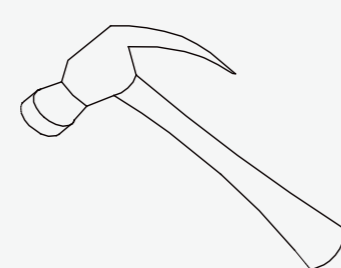
Level



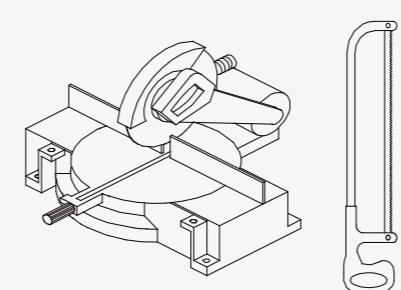
Caulk Gun



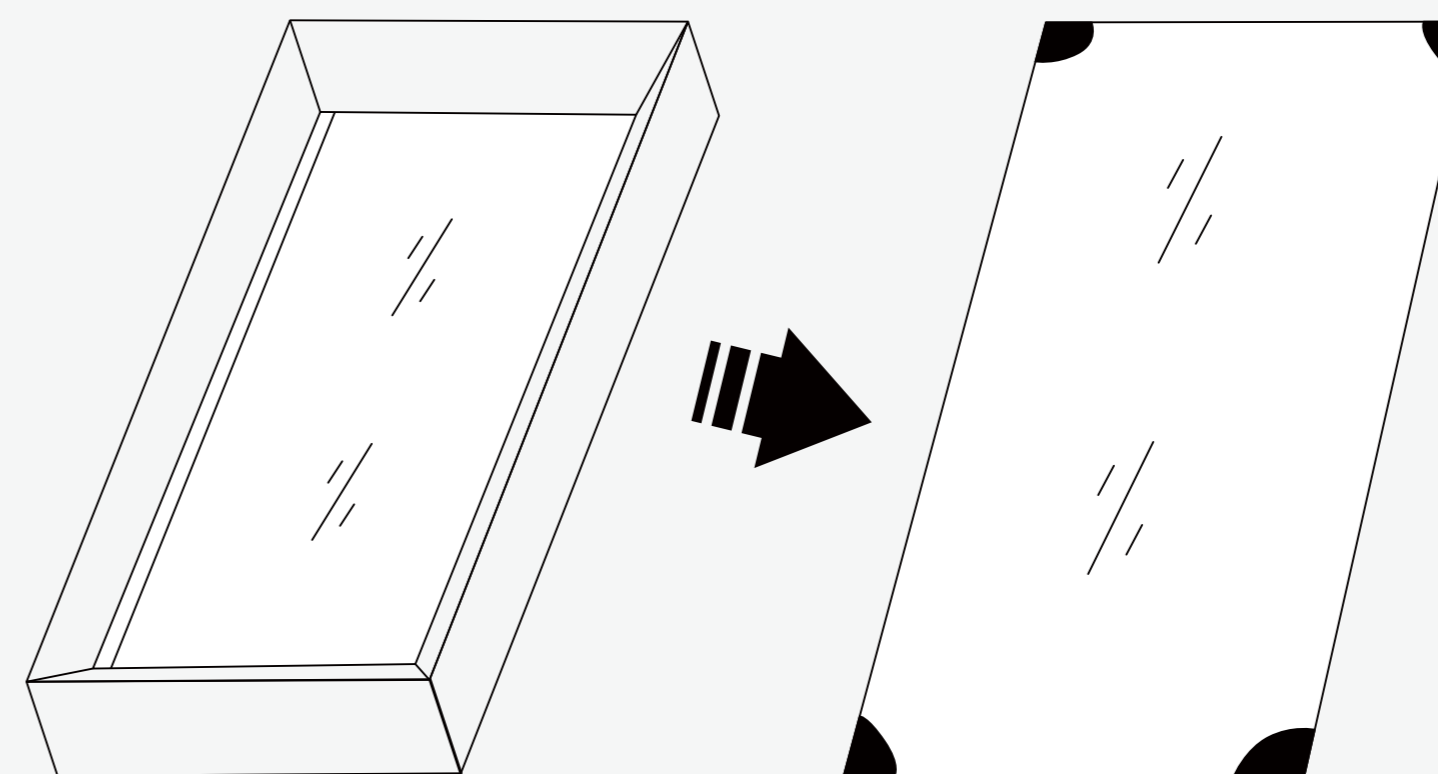
Drill



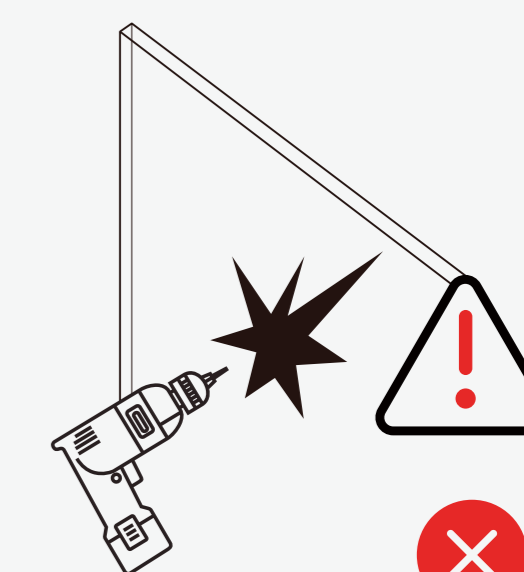
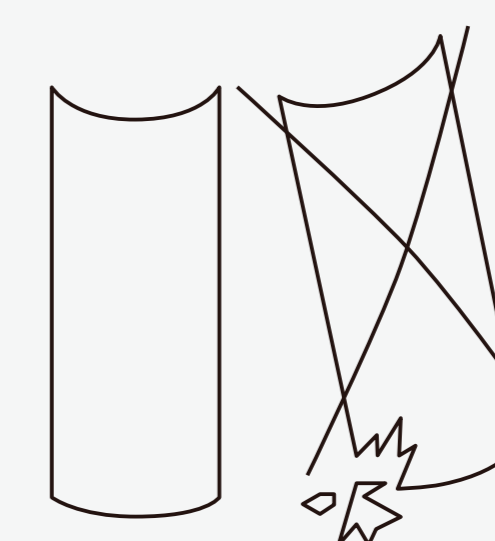
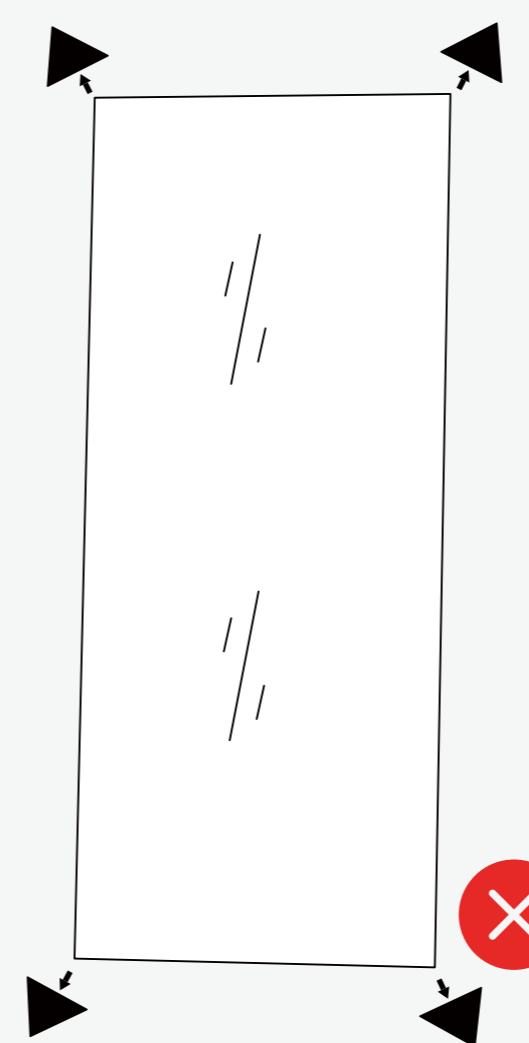
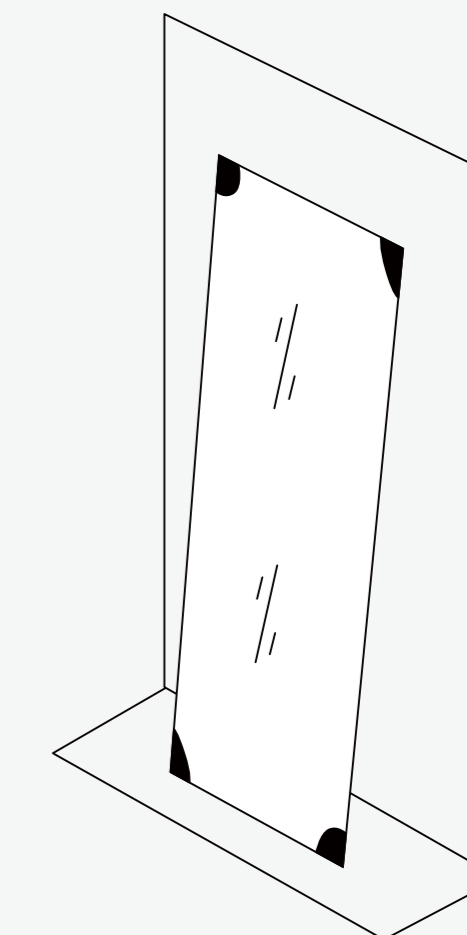
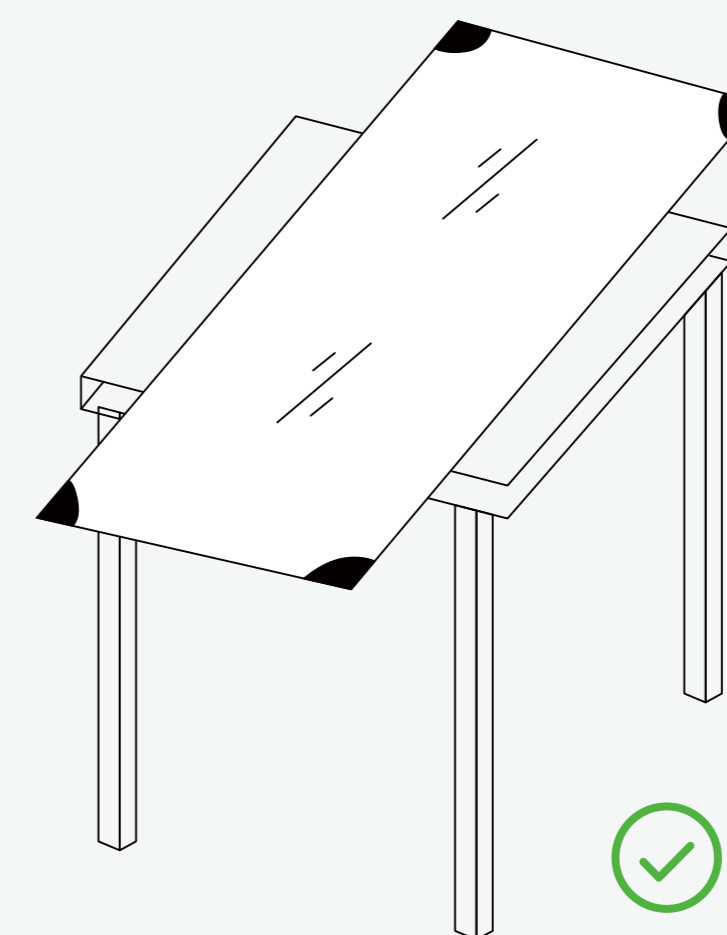
Hammer



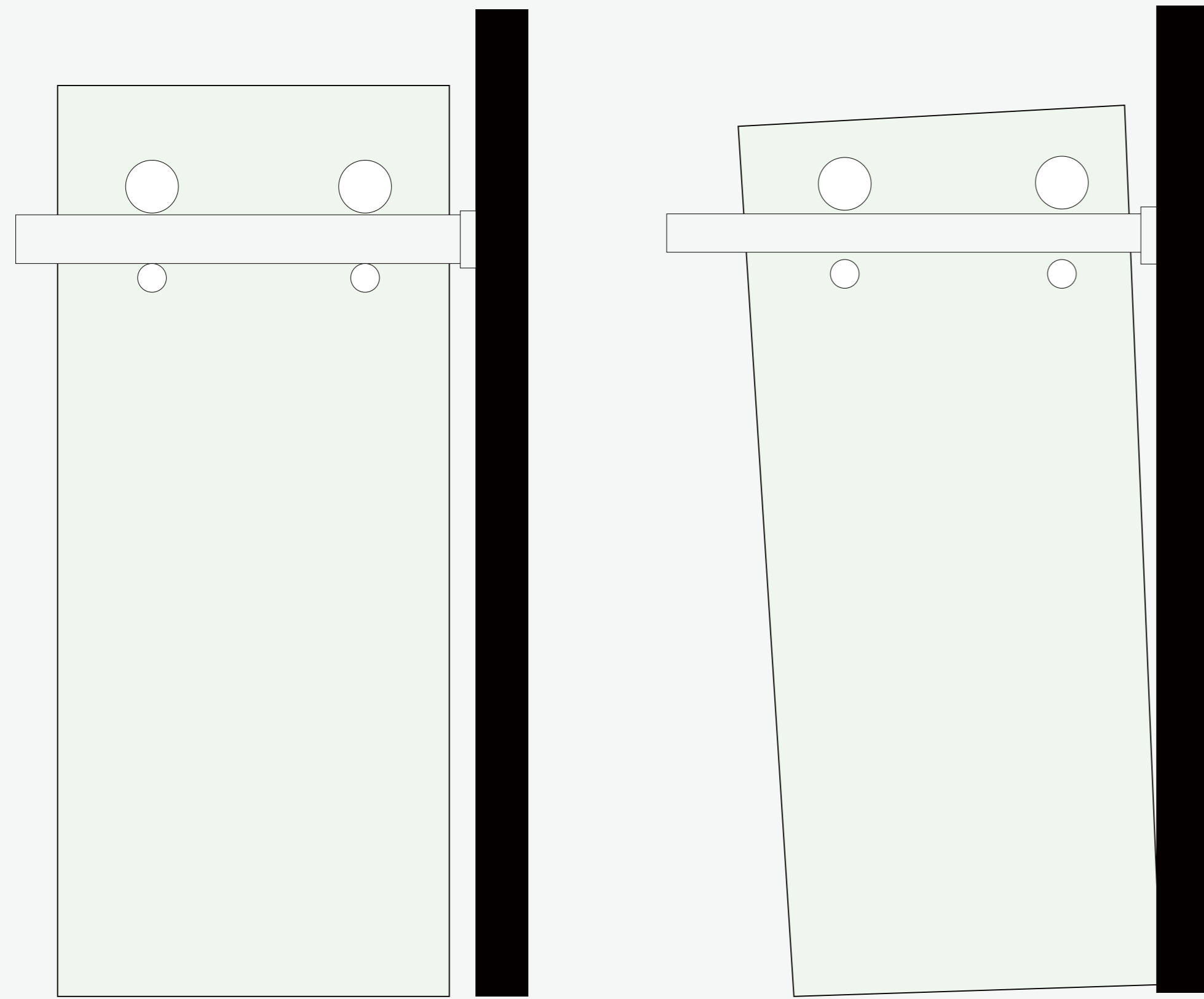
Mitter Saw or Hacksaw




Be careful when moving the glass and properly place the glass.

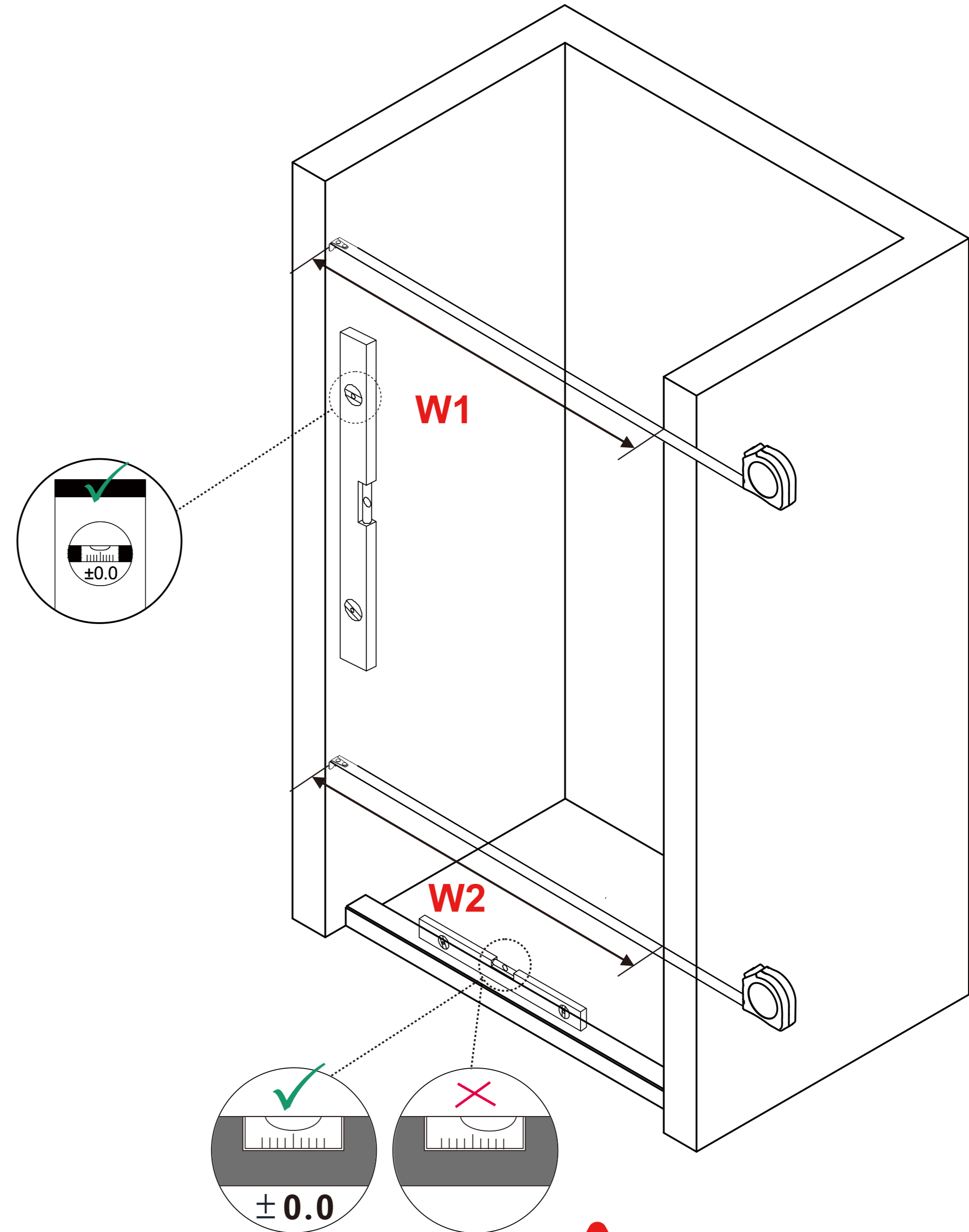


Do not remove the corner guard in advance.
Do not let the corners of the glass collide with a hard surface.
Do not drill glass with a drill bit.




The glass needs to be ensured to be level and vertical.

 Make sure that the wall and the base are level.



W1=W2

 Measure the Width of W1 and W2 carefully, make sure the width of the upper and lower walls is consistent before installation.

IMPORTANT SAFTY INFORMATION



PLEASE READ WARNINGS

Improper use can cause safety hazards, or damage to your product and your home.

Warning	Do	Don't
Serious injury may occur.	<ul style="list-style-type: none"> Assemble following all instructions using all indicated parts and hardware provided. This product must be installed by an adult. Keep children and animals away While installing the product. Improperly assembling or positioning the product may be dangerous. 	<ul style="list-style-type: none"> Do not move unit when loaded. Do not attempt to install it alone, as the product is relatively heavy and prone to damage and injury.

Get Ready to Assemble

For best results, keep these tips in mind:

- ① We know you want to finish this assemble as quick as possible, but trust us: you'll have a better experience if you take it one step at a time.
- ③ Give yourself some space to work near where you want to put this product

DO

- ✓ After unpacking, verify that all parts are included using the Shower Door Components Detail Sheet and check for shipping damage. If there are issues, contact customer support.
- ✓ Consult local building codes if you're unsure about installation compliance.
- ✓ Ensure the installation surface is level, solid, and can support the unit's weight, and that walls are at right angles.
- ✓ Protect all major surfaces of the product during installation.

- ② We strongly recommend that this product be installed by a licensed and insured professional contractor, including the assistance of a second person during installation.
- ④ If your floor isn't carpeted, assemble this product on the empty carton to avoid scratching.

DON'T

- ✗ Irregular mounting surface levels or improper angle of side walls will cause serious problems during installation.
- ✗ Never place glasses directly on tile floors. Leave the corner protector in place until it needs to be removed.
- ✗ Do not attempt to use this product before all steps have been completed.
- ✗ Do not install the product directly, please make sure that all accessories are included and there is no damage.

Consumer Service

If necessary, to quickly free replace damaged/missing parts. Simply have your order ID, instruction manual, and part number/description ready when you write an email to us. It's that easy.

Contact us

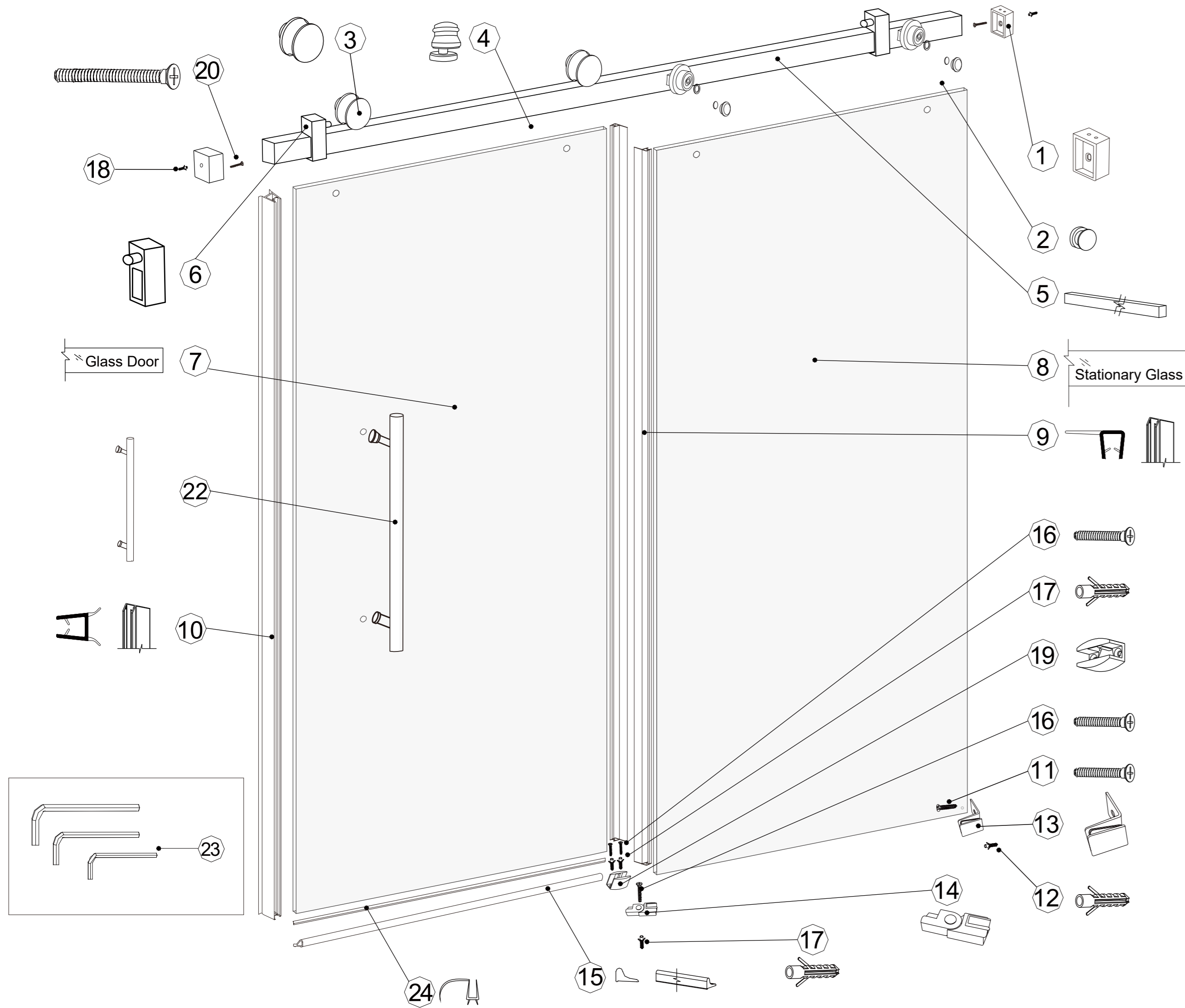
Monday to Sunday (Except holidays)

We will respond within 24 hours.

E-MAIL:
service@delavinhome.com

Parts List

<p>1 Guide Rail Bracket x2</p>	<p>2 Stationary Glass Bracket x2</p>	<p>3 Roller x2</p>	<p>4 Anti Jumping Knob x2</p>
<p>5 Upper Guide Rail x1</p>	<p>6 Glass Door Stopper x2</p>	<p>7 Glass Door x1</p>	<p>8 Stationary Glass x1</p>
<p>9 Anti-Water Strips with an extended side x2</p>	<p>10 Side Anti-Water Strip x1</p>	<p>11 Screw M4.8X3.2 x1</p>	<p>12 Big Wall Anchor x1</p>
<p>13 L Wall Cover x1</p>	<p>14 Anti-splash Threshold Cover x2</p>	<p>15 Anti-splash Threshold x1</p>	<p>16 Screw M4X25 x4</p>
<p>17 Small Wall Anchor x4</p>	<p>18 Wall Anchor x2</p>	<p>19 Guide Block x1</p>	<p>20 Screw M4.6X40 x2</p>
<p>21 Measuring tool x1</p>	<p>22 Handle x1</p>	<p>23 Allen Key x1</p>	<p>24 Bottom Anti-Water Strip x1</p>



No.	Description	QTY	No.	Description	QTY
1	Guide Rail Bracket	2 pcs	14	Anti-splash Threshold Cover	2 pcs
2	Stationary Glass Bracket	2 pcs	15	Anti-splash Threshold	1 pc
3	Roller	2 pcs	16	Screw M4X25	4 pcs
4	Anti Jumping Knob	2 pcs	17	Small Wall Anchor	4 pcs
5	Upper Guide Rail	1 pc	18	Wall Anchor	2 pcs
6	Glass Door Stopper	2 pc	19	Guide Block	1 pc
7	Glass Door	1 pc	20	Screw M4.6X40	2 pcs
8	Stationary Glass	1 pc	21	Measuring tool (No installation required). Only used for marking hole positions, please place this piece of aluminum on the ground against the wall, and mark on the wall according to the holes in the aluminum, then you can make the hole.	1 pc
9	Anti-Water Strips with an extended side	2 pcs			
10	Side Anti-Water Strip	1 pc			
11	Screw M4.8X3.2	1 pc	22	Handle	1 pc
12	Big Wall Anchor	1 pc	23	Allen Key	3 pcs
13	L Wall Cover	1 pc	24	Bottom Anti-Water Strip	1 pc

TEAR OFF THE GLASS PROTECTIVE FILM BEFORE INSTALLATION

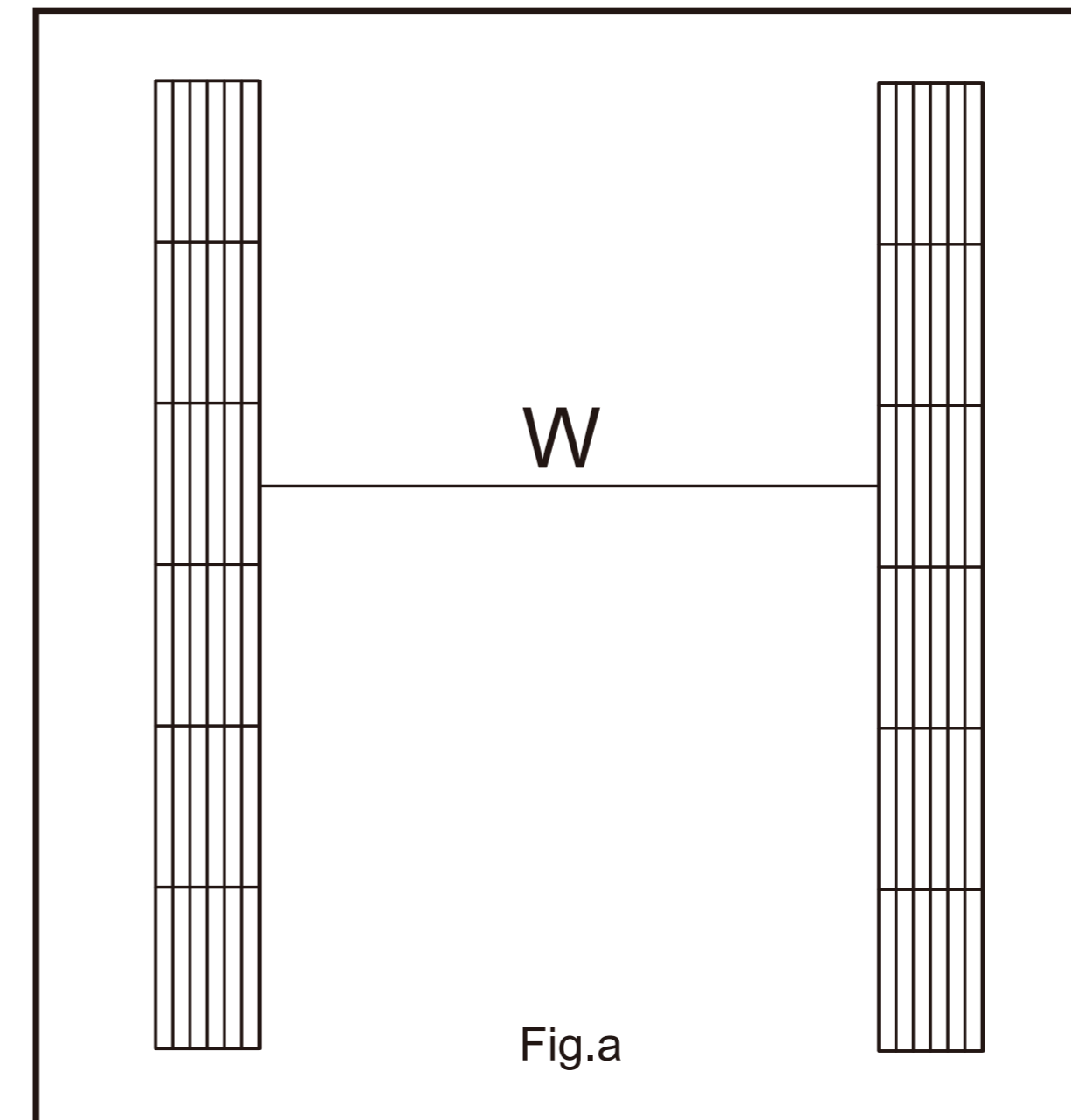


Fig.a

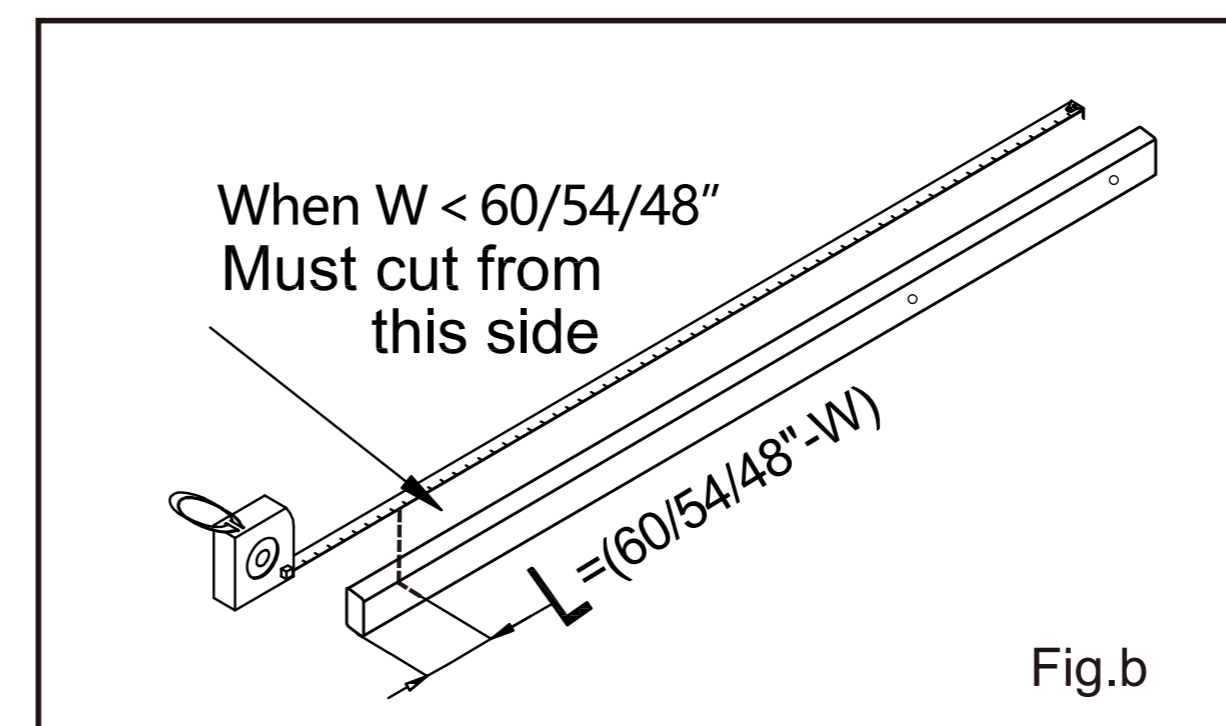


Fig.b

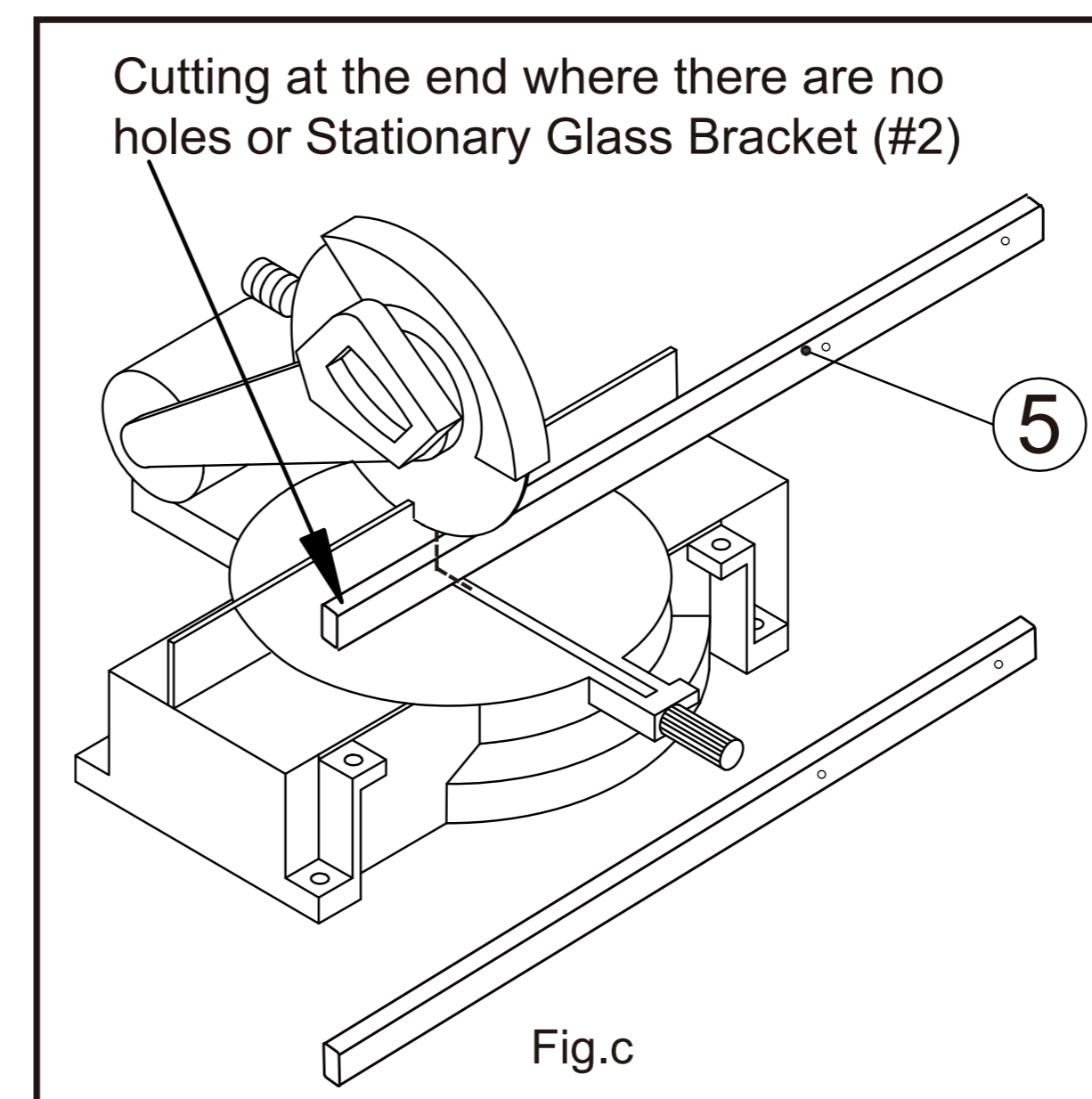


Fig.c

1. Before installation, Measure the horizontal distance "W" between two walls.

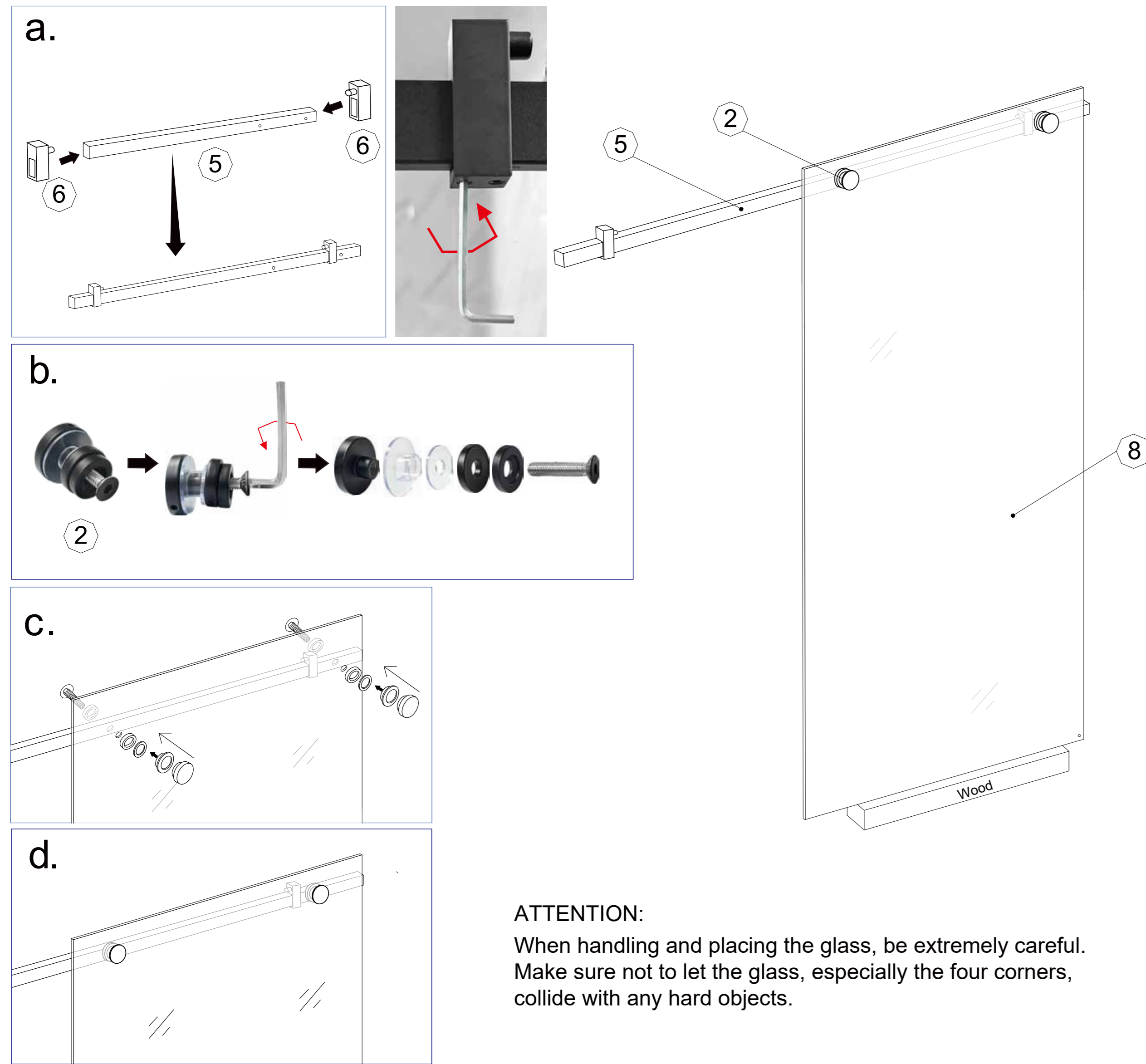
Our this style shower door comes in three width sizes: 60", 54", and 48". Depending on the actual model size you purchase, determine whether the Upper Guide Rail (# 5) needs to be cut.

The cutting standards are as follows:

① If "W" is exactly 60/54/48 inches, the Upper Guide Rail (#5) in the packaging can be used directly;

② If the "W" is less than 60/54/48 inches, the end of the Upper Guide Rail (#5) that has no holes or Stationary Glass Bracket (#2) must be cut short (60/54/48"- W); Please carefully measure the width between the two walls to avoid incorrect cutting;

③ If the "W" is slightly larger than 60/54/48 inches, the Upper Guide Rail (#5) needs to be pulled out slightly when inserting the Guide Rail Bracket (#1), not fully inserted, but it must be noted that the pulled out length should not be too much to avoid the Upper Guide Rail (#5) from falling off.

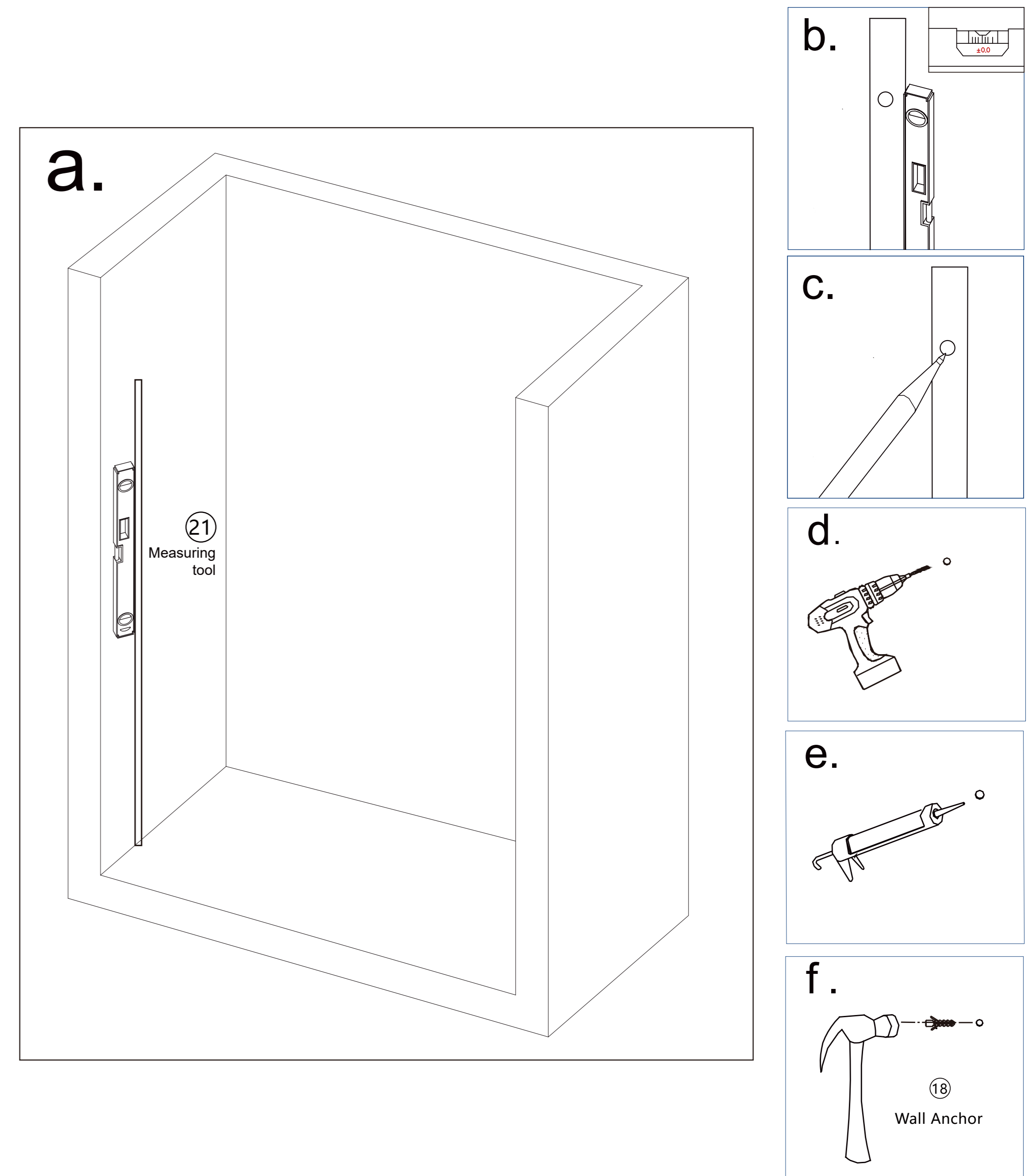


2. ① Insert two Glass Door Stopper (#6) into two end of Upper Guide Rail (#5) first, Temporarily fix Glass Door Stopper (#6) in the approximate position by tightening the two screws underneath as shown in the figure a. (the position can be adjusted according to the actual situation later on).

② Then disassemble Stationary Glass Bracket (#2) as shown in Figure b.

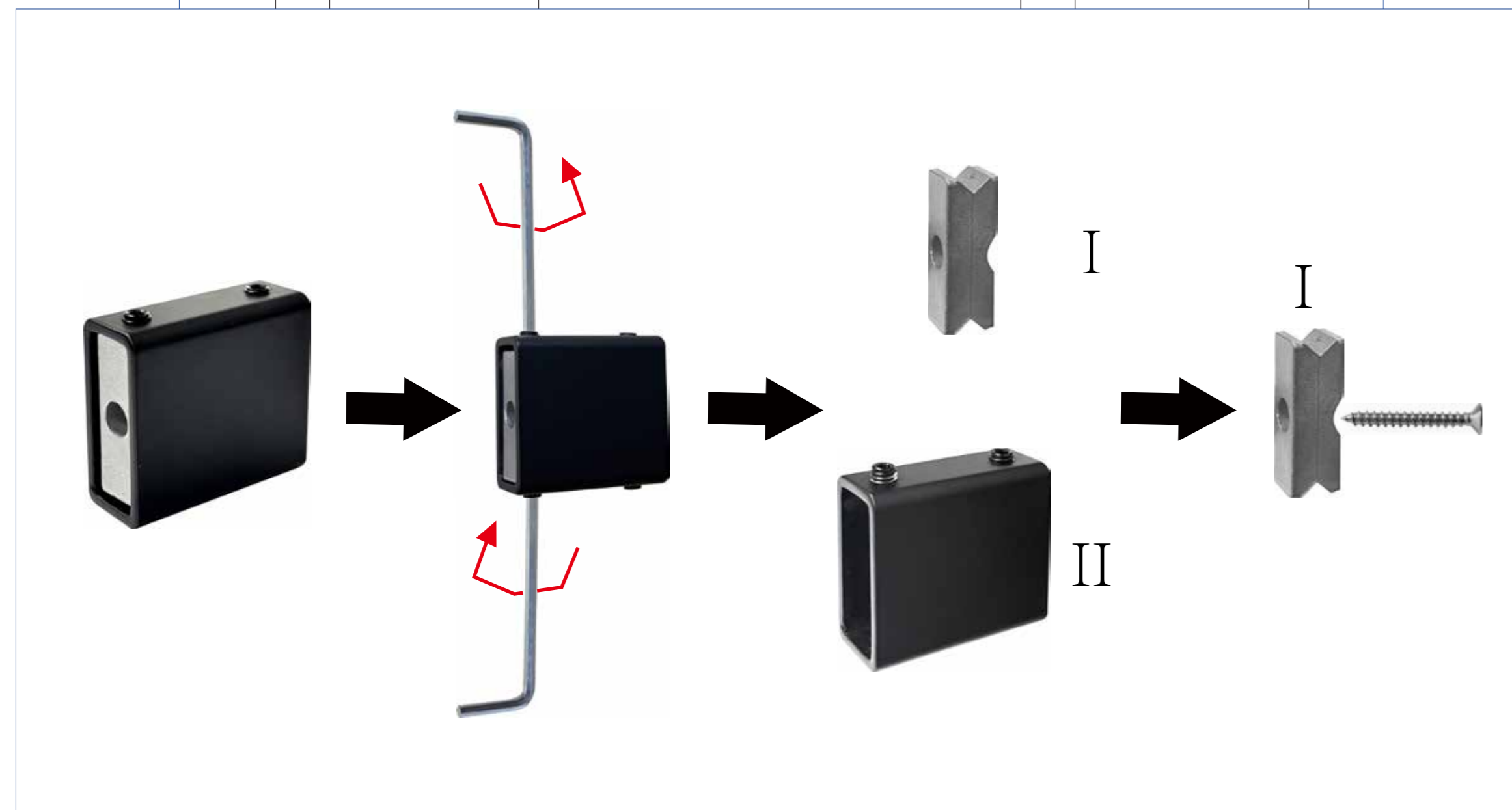
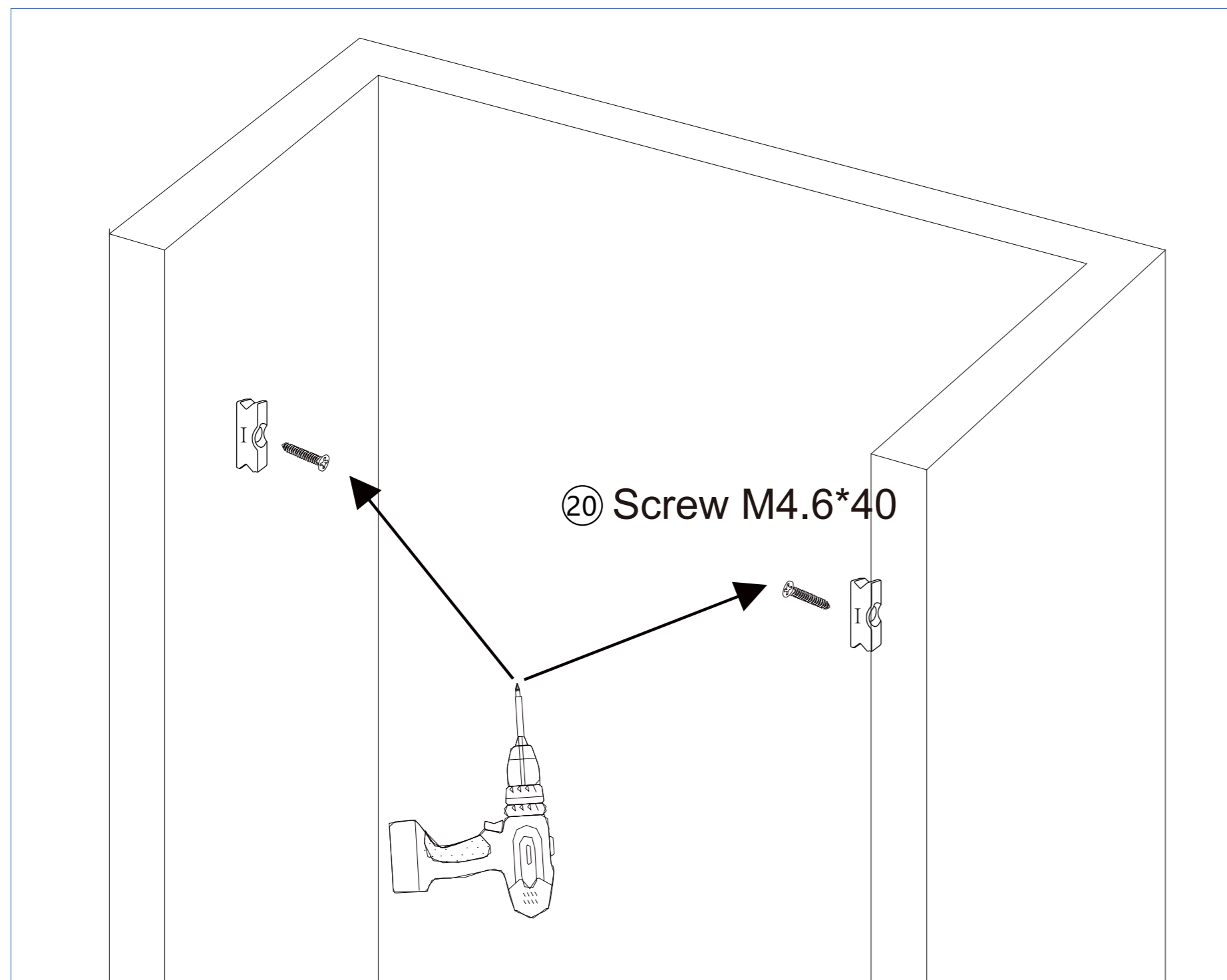
③ According to the Figure c, match the disassembled Stationary Glass Bracket (#2) with the hole position on the Stationary Glass (#8) and Upper Guide Rail (5), Install Stationary Glass (#8) onto Upper Guide Rail (#5).

When packing, the Glass Door Stopper (#6) and Stationary Glass Bracket (#2) may have been pre installed on the Upper Guide Rail (#5).

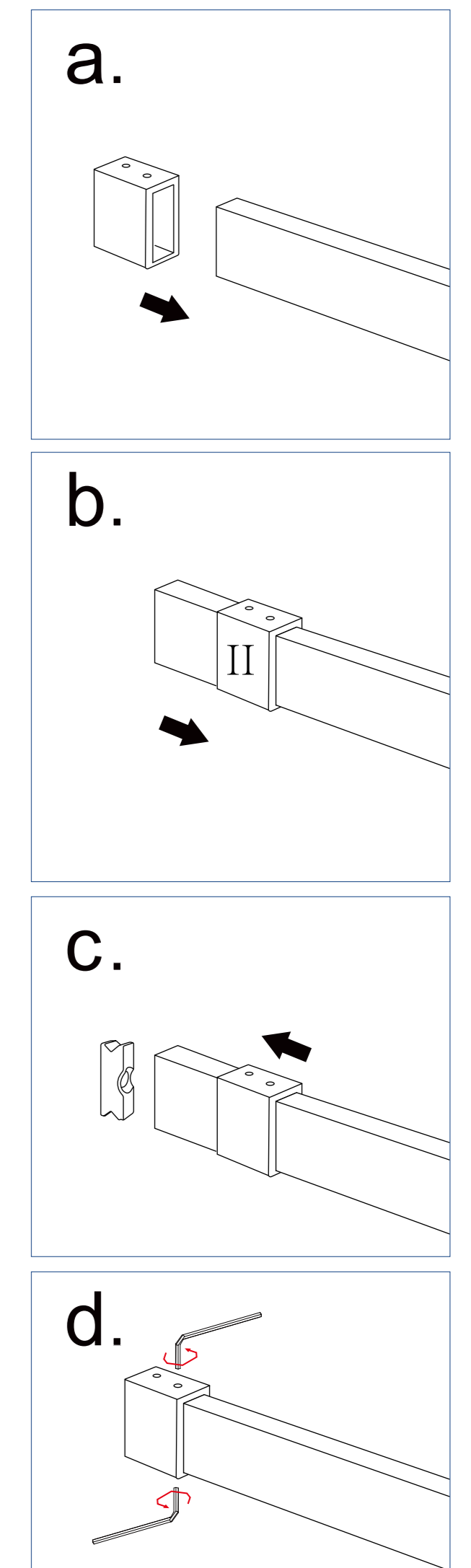
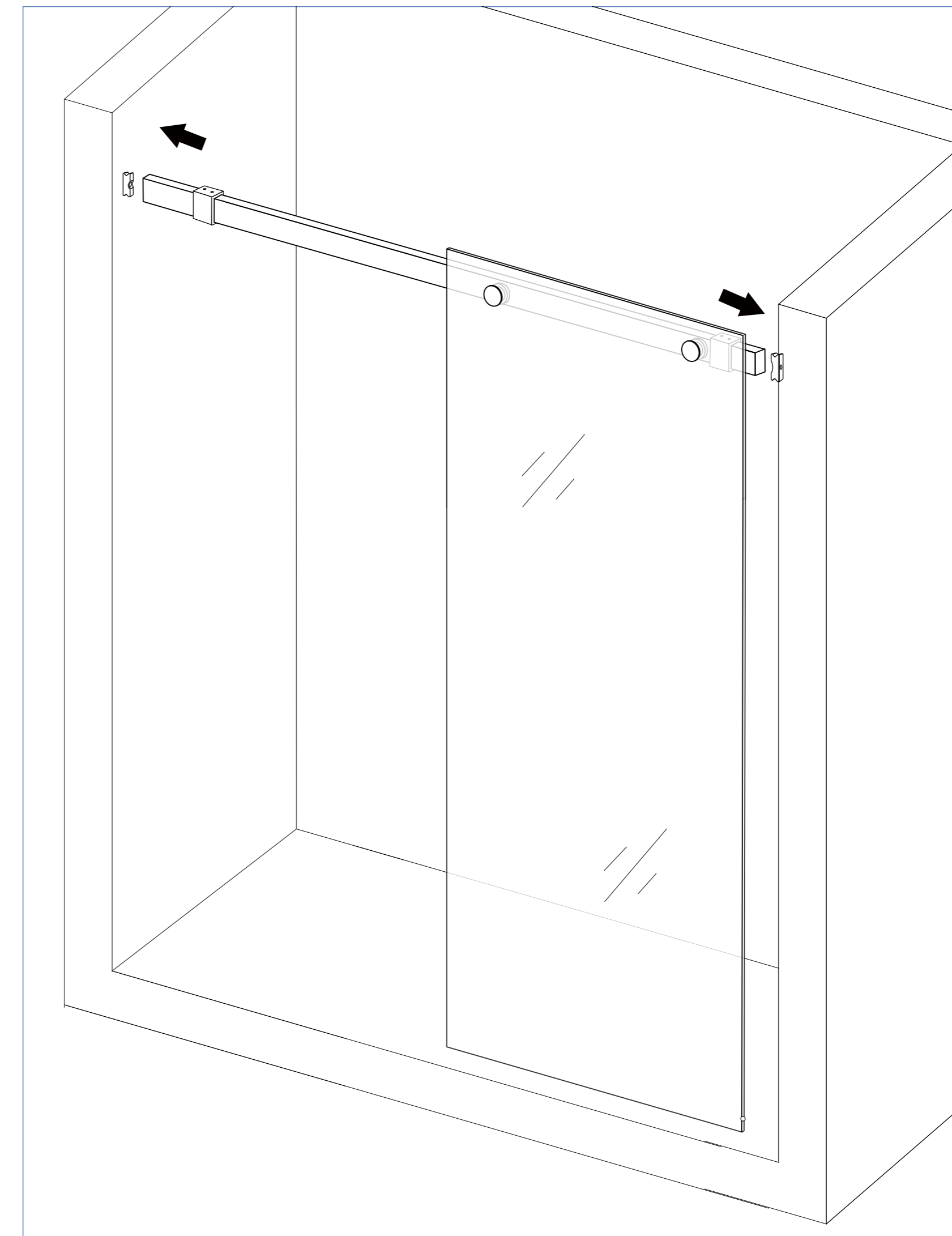


3. Place the Measuring Tool(#21) vertically against the wall on the floor, mark the wall according to the holes in the Measuring Tool(#21). Drill holes for the Guide Rail Brackets (#1) installation in the mark position and apply silicone into the holes, insert the Wall anchors (#18) for the Guide Rail Bracket.

This step uses an Ø 5/16" drill bit to drill holes in the wall.



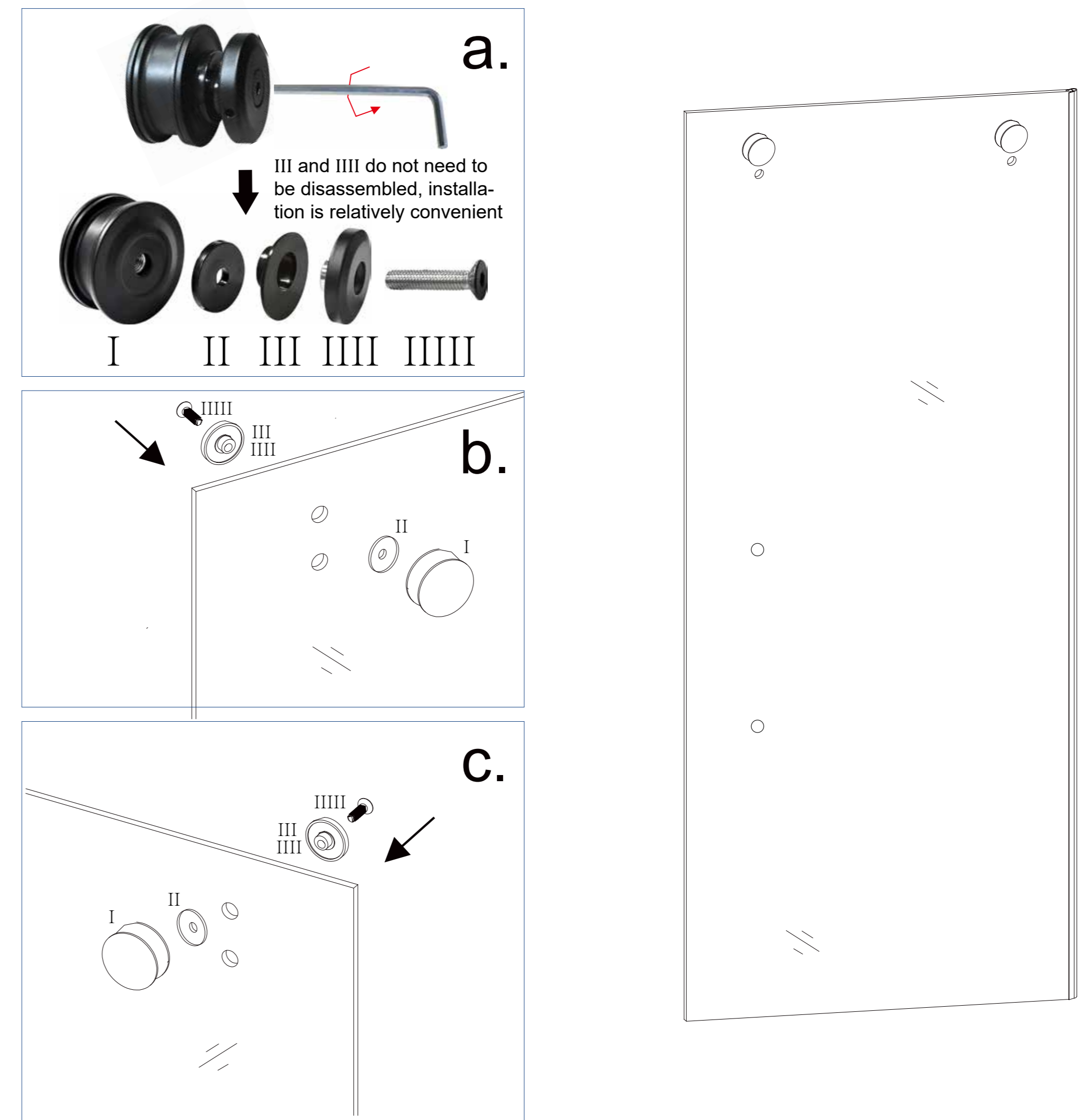
4. Disassemble the Guide Rail Bracket (#1) into two parts, Part I and Part II, as shown in the diagram, and then fix Part I in the hole drilled on the wall in the previous step with 4.6*40 screws (#20)
The other side of the Part I is installed in the same way.



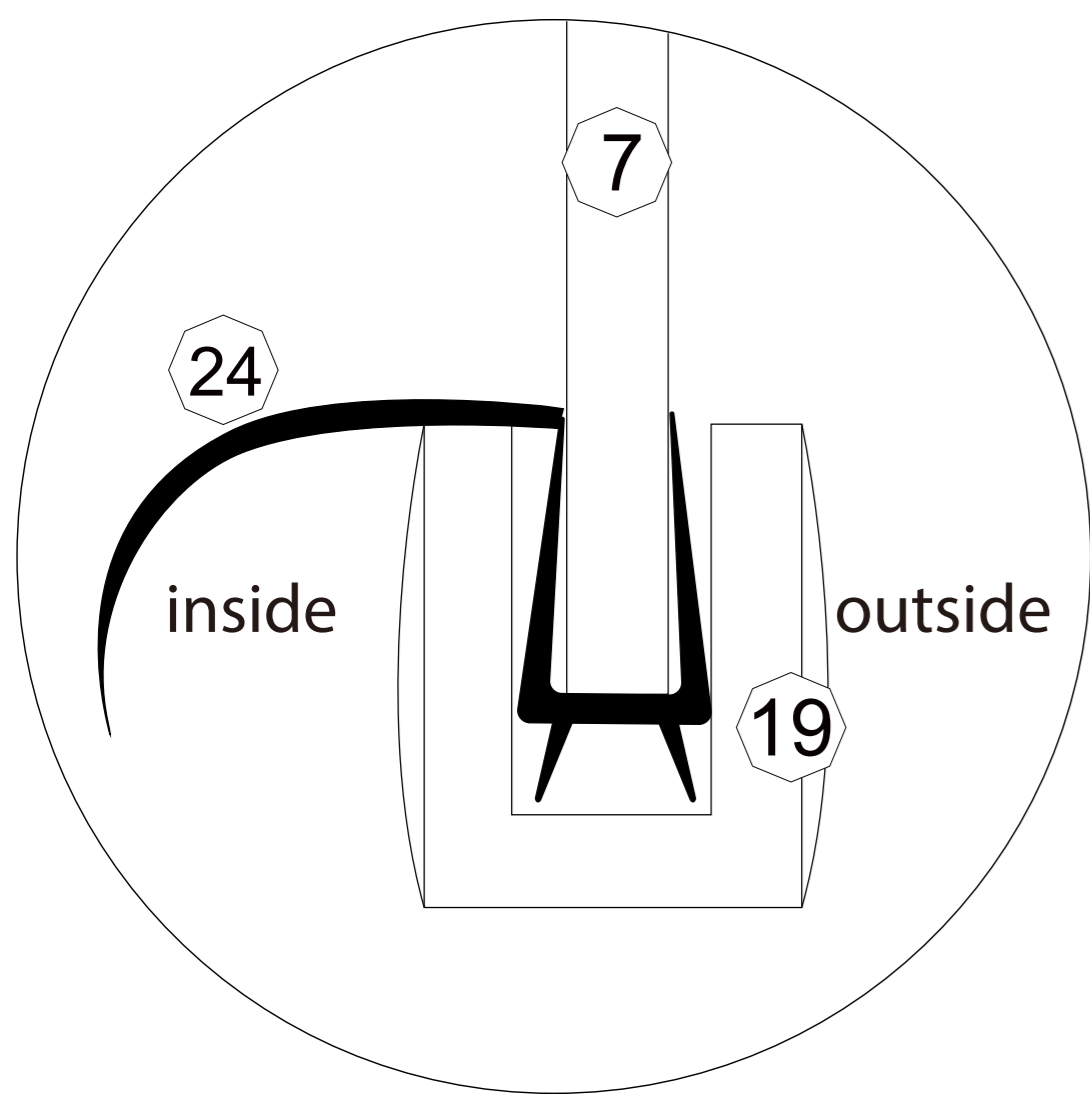
5. a&b. Insert II of Guide Rail Bracket (#1) into both ends of the Upper Guide Rail (#5);
c. Then lift the Stationary Glass (#8) that has already been installed on the Upper Guide Rail (#5) and place it in the installation position. Then Slide the II part of the Guide Rail Bracket to the two end of the Upper Guide Rail (#5), then slide II to I Part, combine I and II together again;
d. Tighten the screws on the Guide Rail Brackets (#1) with Allen Key (#23).



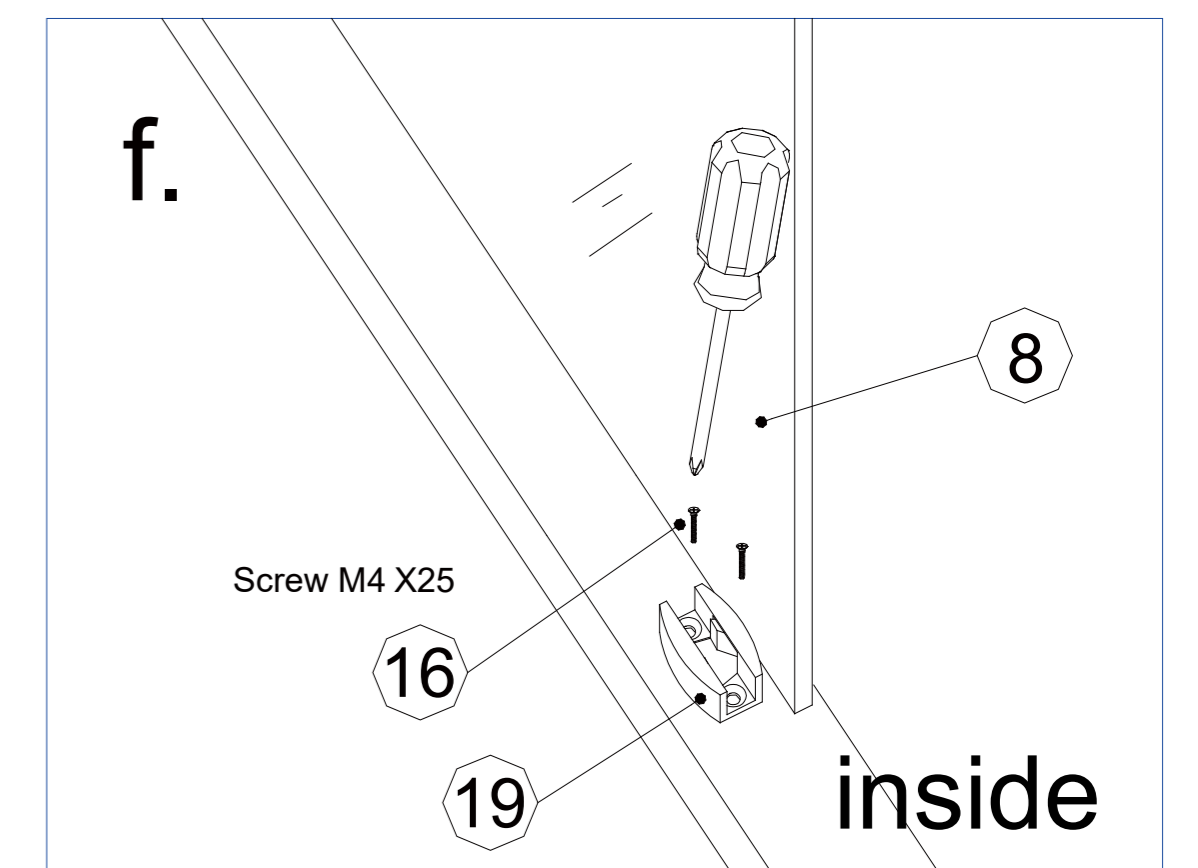
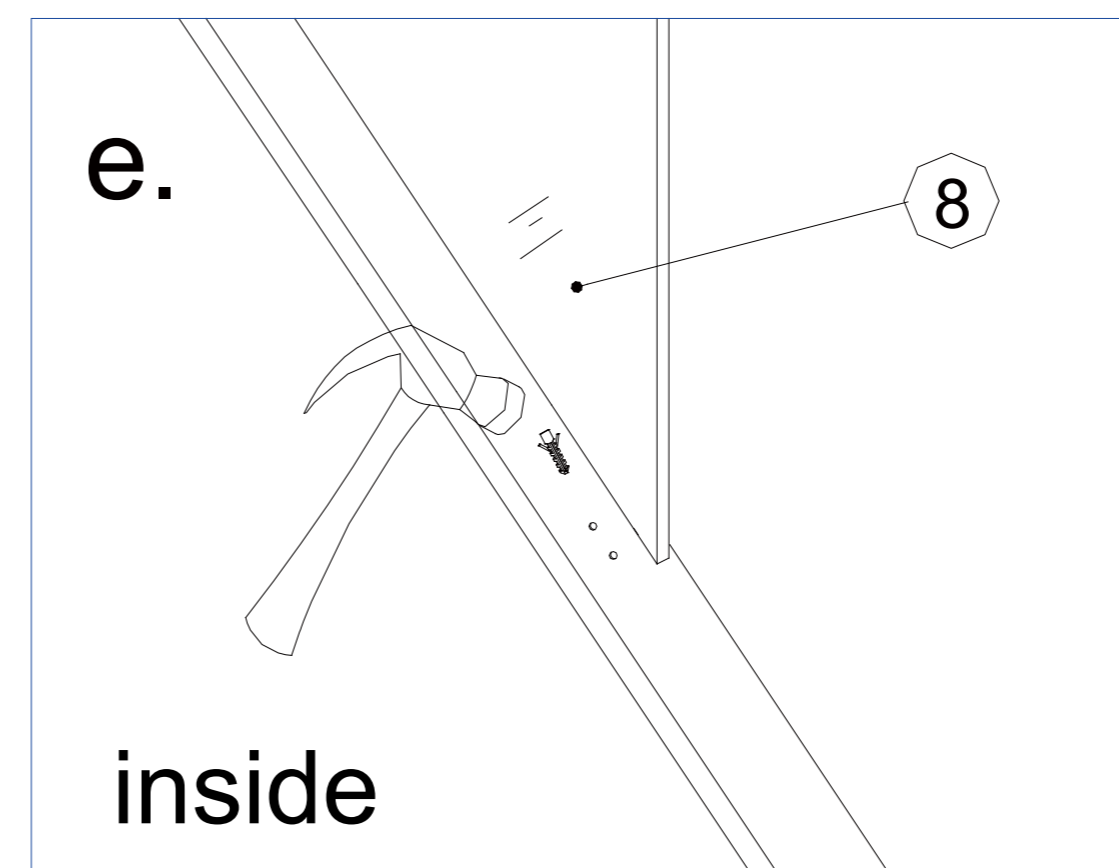
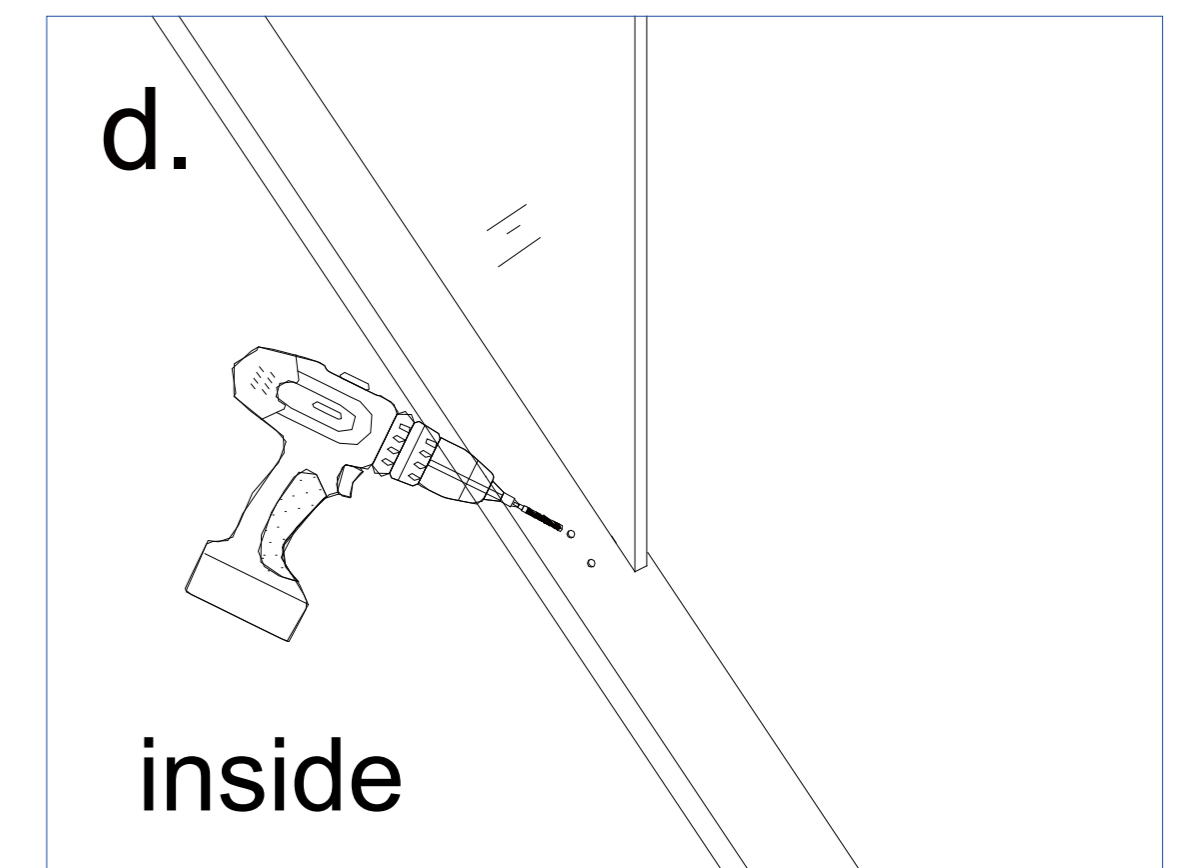
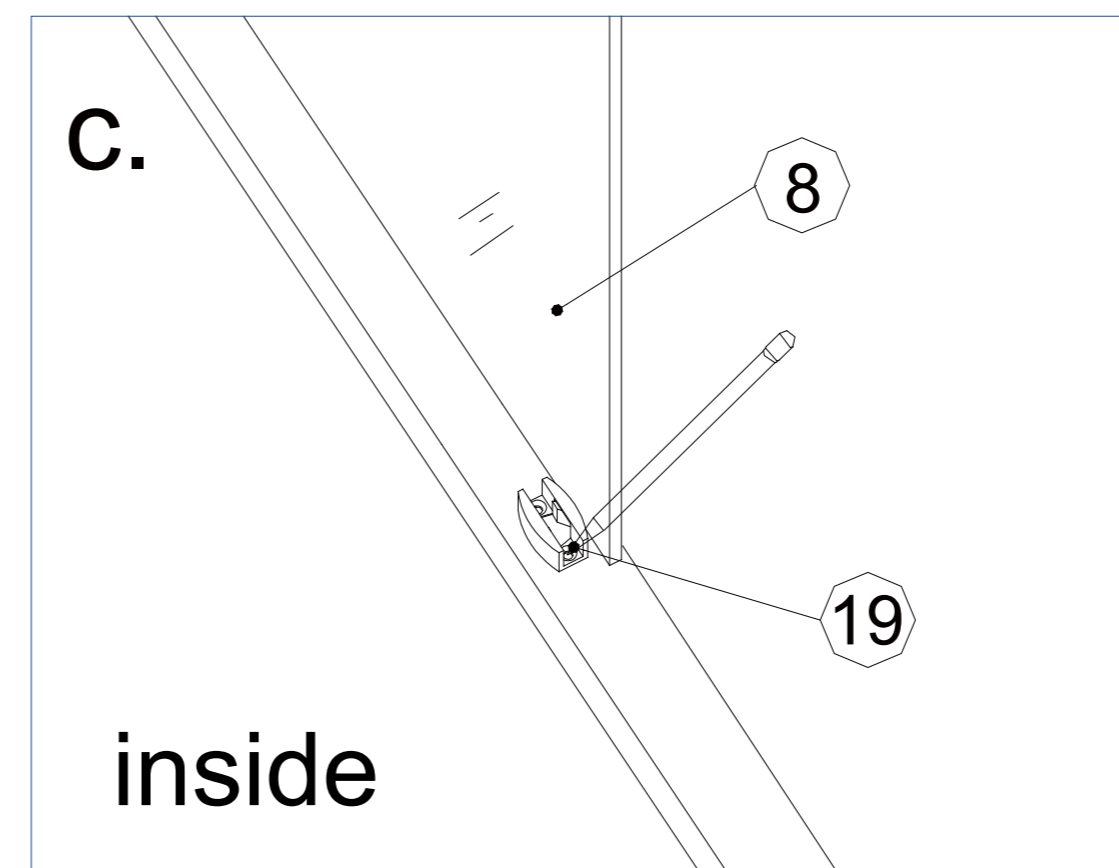
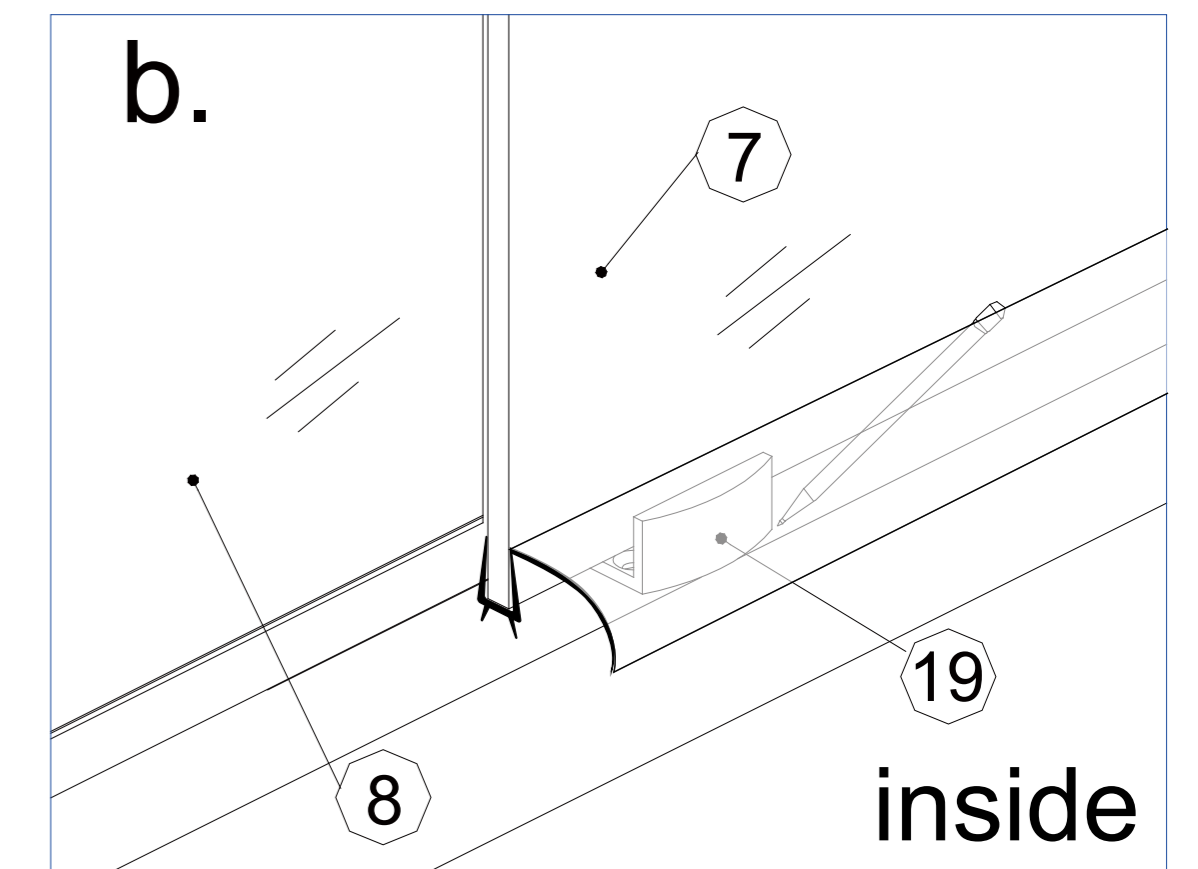
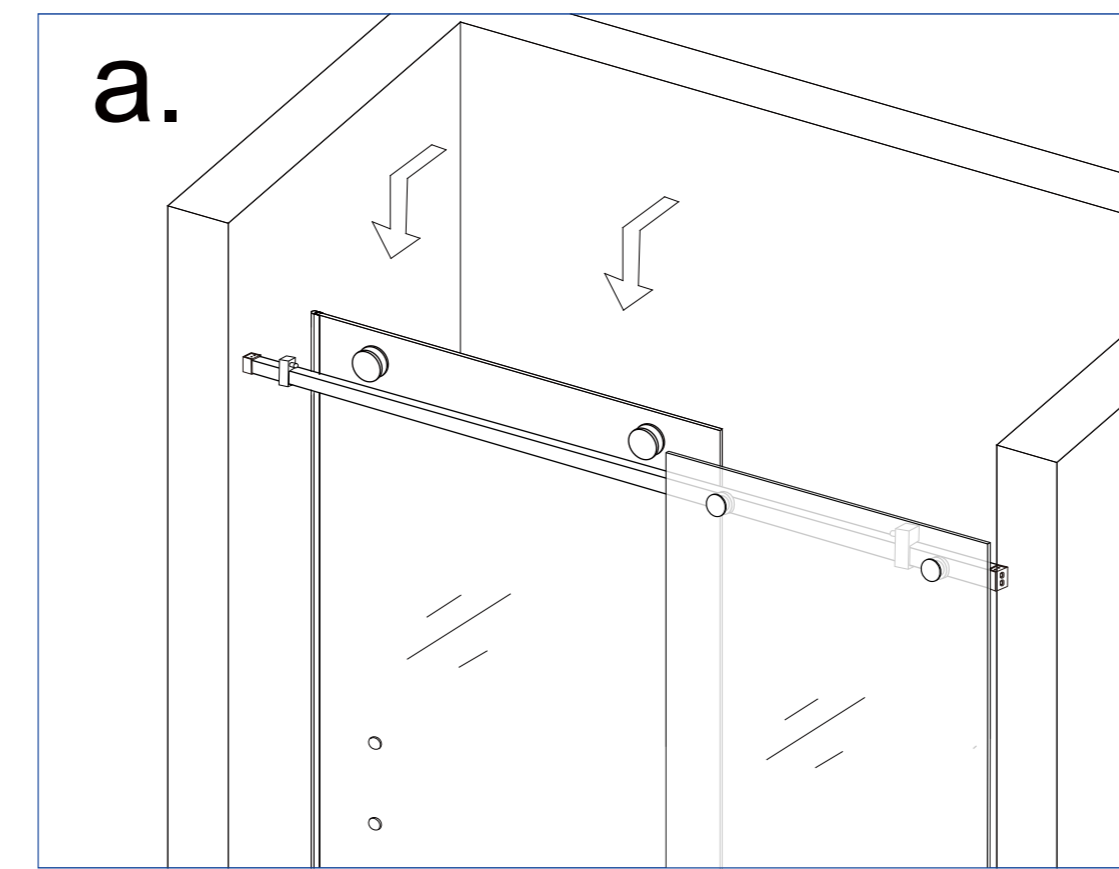
6. Unscrew the screws of the L wall cover (#13) and split it into two parts. Along the hole below the fixed glass, place the L-shaped part on the inside of the fixed glass, with the side with the hole against the wall, and the other part on the outside of the glass. Place one gasket on each side, and then use the unscrewed screws to reconnect the two parts through the glass. Then install and fix the L-shaped side against the wall with Screw M4.8x3.2 (#11).
 This step need first uses an Ø 5/16" drill bit to drill hole in the wall, and apply silicone into the hole, then insert the Big Wall Anchor (#12), and finally secure it with screws.
 Please make sure that all the screws are tightened completely during the installation process.



7. Loosen the Rollers (#3) screw as shown in the figure to disassemble the rollers (#3);
 (First, Grasp the entire Roller (#3) and fix the IIII part of Roller (#3) with your hand and then use a thick Allen Key (#23) to unscrew the large screw on the back of Roller (#3))
 Then place the disassembled roller components as shown in Figure b, install the disassembled rollers to the sliding glass door through the two topmost holes on the sliding glass door (#7).
 Please make sure that all the screws are tightened completely during the installation process.

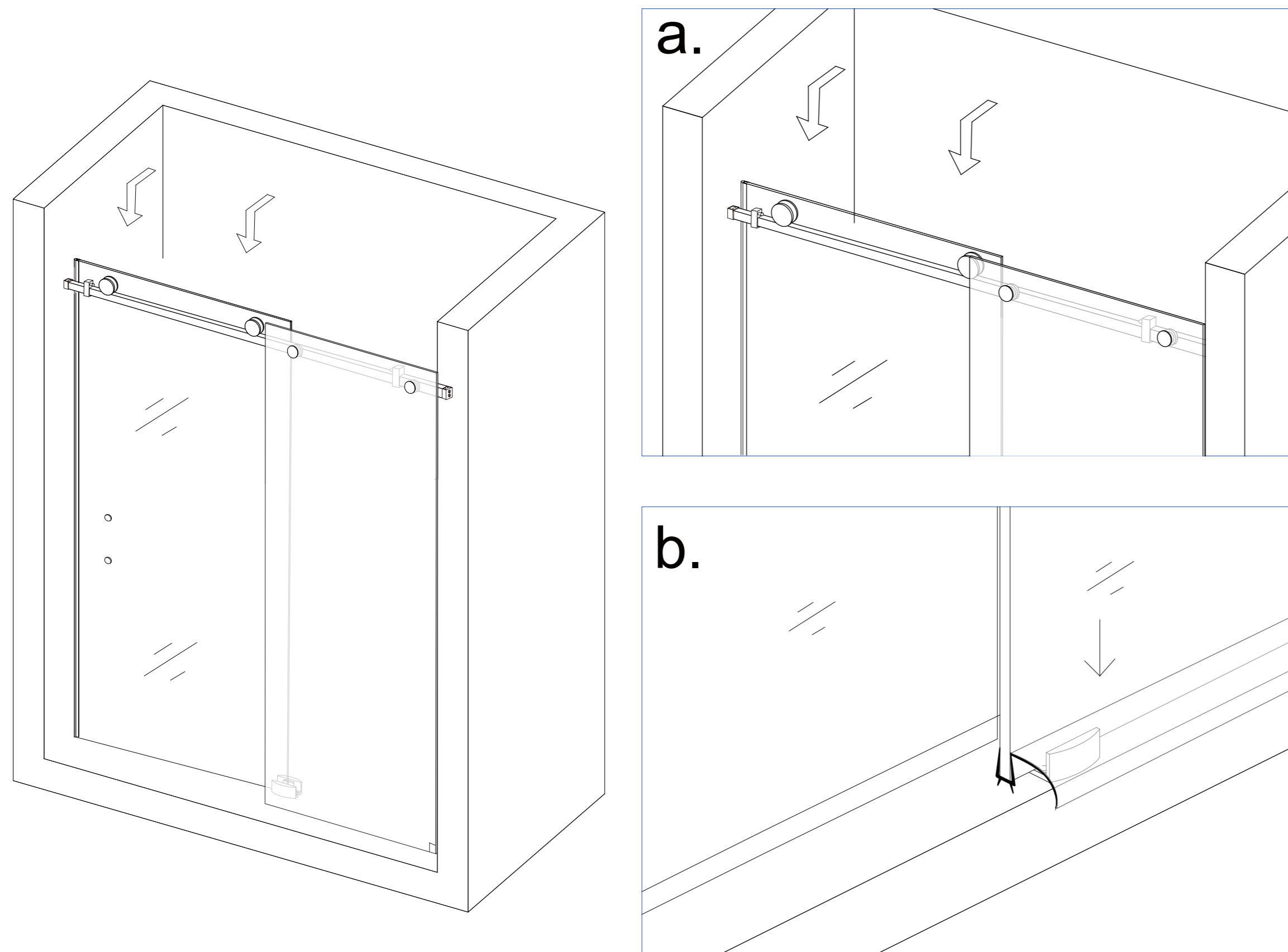


8. Install the Bottom Anti-Water Strip (#24) to the bottom of the sliding glass Door (#7).
When installing the Bottom Anti-Water Strip (#24), mounted on the bottom of the sliding Glass Door (#7) as shown. The side with the edge should face the inside of the glass, and the edge should be exposed outside the Guide Block (#19), as shown in the figure.



9. Hang the sliding Glass Door (#7) installed with rollers, and bottom strip to the Upper Guide Rail (#5). Note that the sliding glass door should be hung from the inside, and the sliding glass door should be on the inside of the Stationary Glass(#8).
Slide the Guide Block (#19) to the bottom of the sliding Glass Door (#7). Be careful that the glass door should not touch the left and right metal part of the guide block. Set the sliding glass door aside. Mark down the drilled position of the Guide Block (#19).
Now drill the holes at the marked location with drill bit. Put the silicone to the holes and then put the wall anchor (#17) into the hole. Then secure the Guide Block (#19) to the floor with Screw M4X25 (#16). This step uses an Ø 1/4" drill bit to drill holes in the ground.

10. Hang the sliding Glass Door (#7) back to the Upper Guide Rail (#5), slide the bottom of the glass door into the slot of the Guide Block (#19). Be careful that the glass door should not touch the left and right metal part of the guide block.

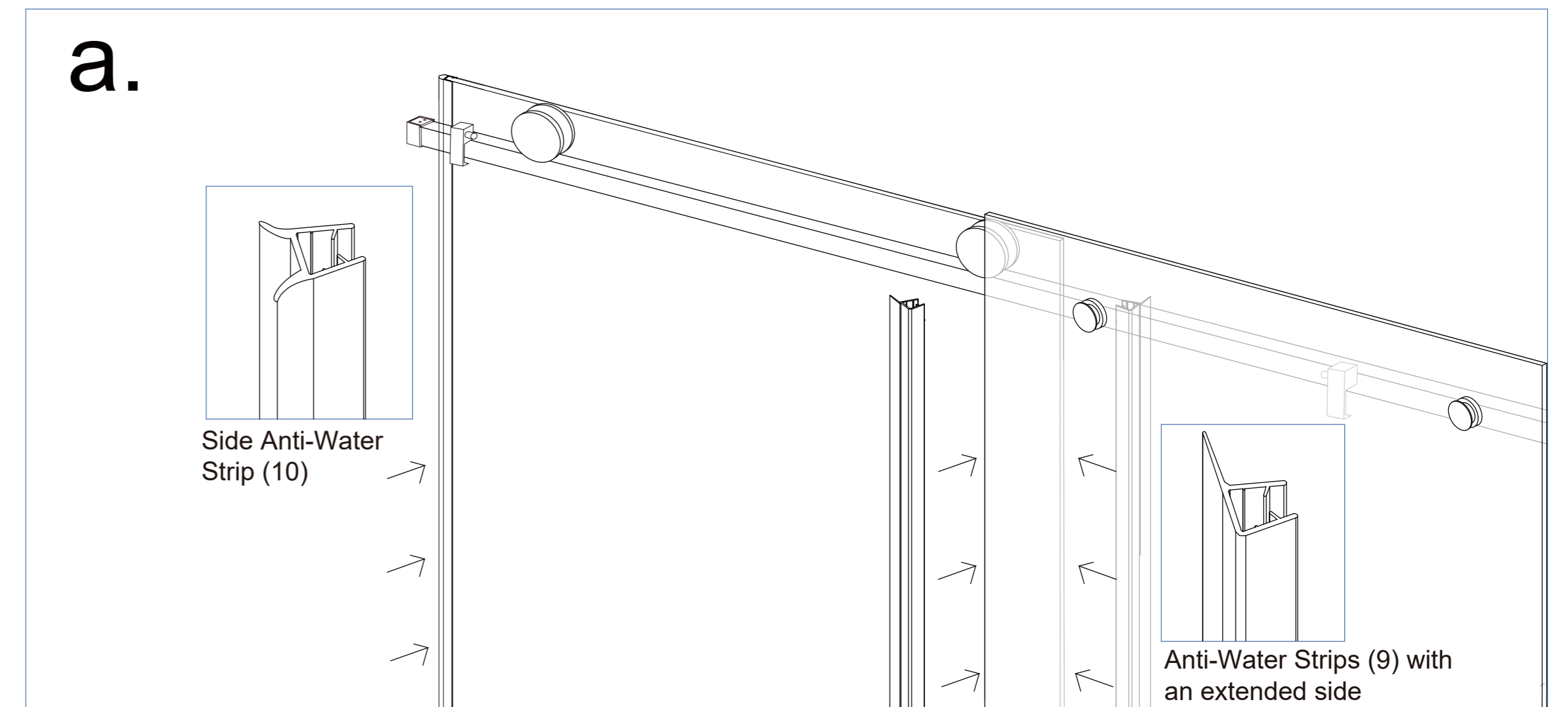


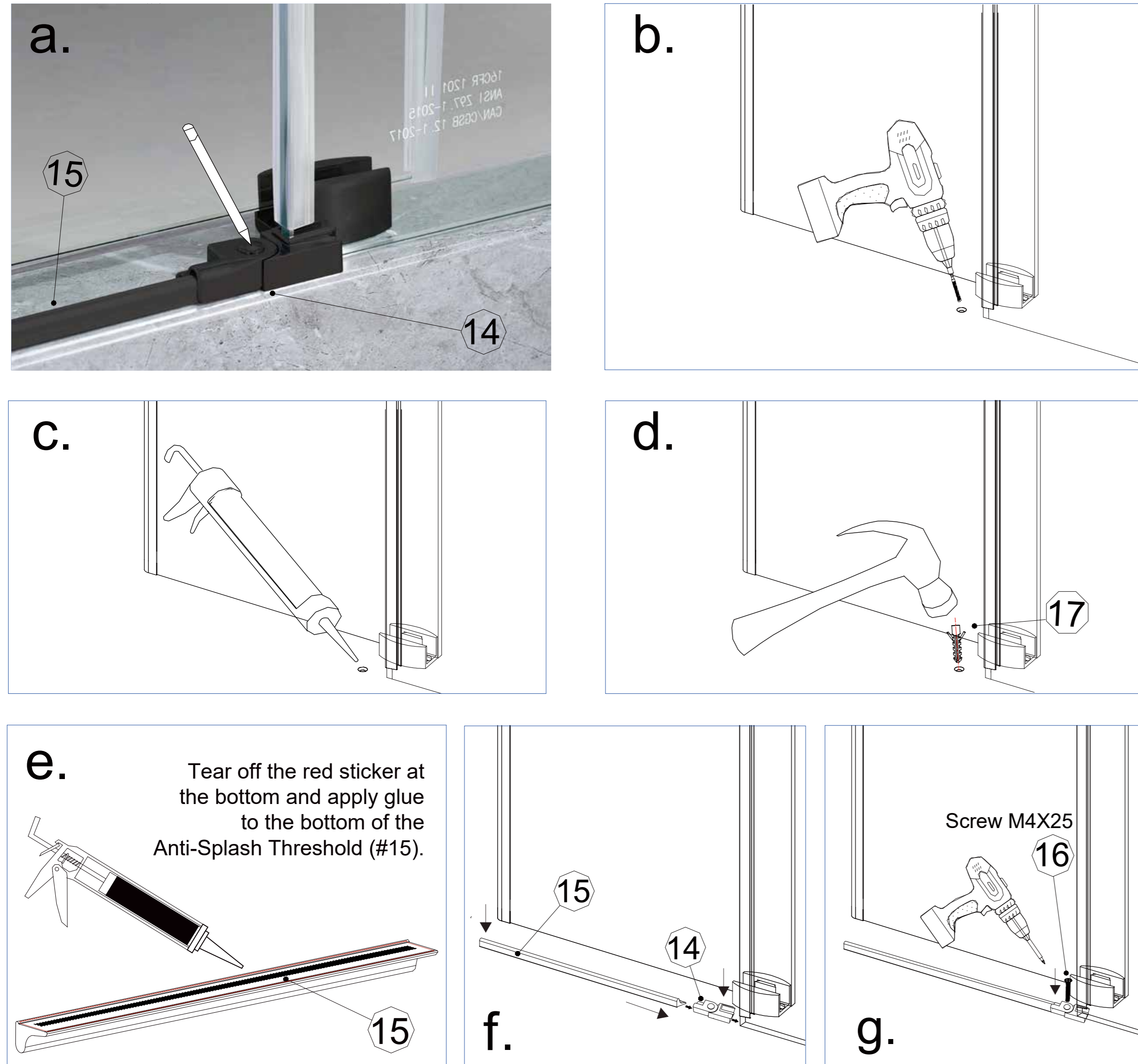
11. Insert two Anti-Water Strips (#9) with an extended side into the two intersecting sides between Stationary Glass (#8) and Sliding Glass Door (#7).

Because Anti-Water Strips (#9) has side edges to block water, but the side edges will obstruct the roller and upper guide rail when sliding, so it is necessary to cut off the upper part of the side edges according to the actual sliding situation after installation.

Clip Side Anti-Water Strip (#10) into the sliding glass on the side with the handle for collision prevention.

NOTE: Before installing Anti-Water Strips, lubricate with water the part that touches the glass for better installation on the glass. Please be careful not to cause the explosion-proof film to lift when clip it.

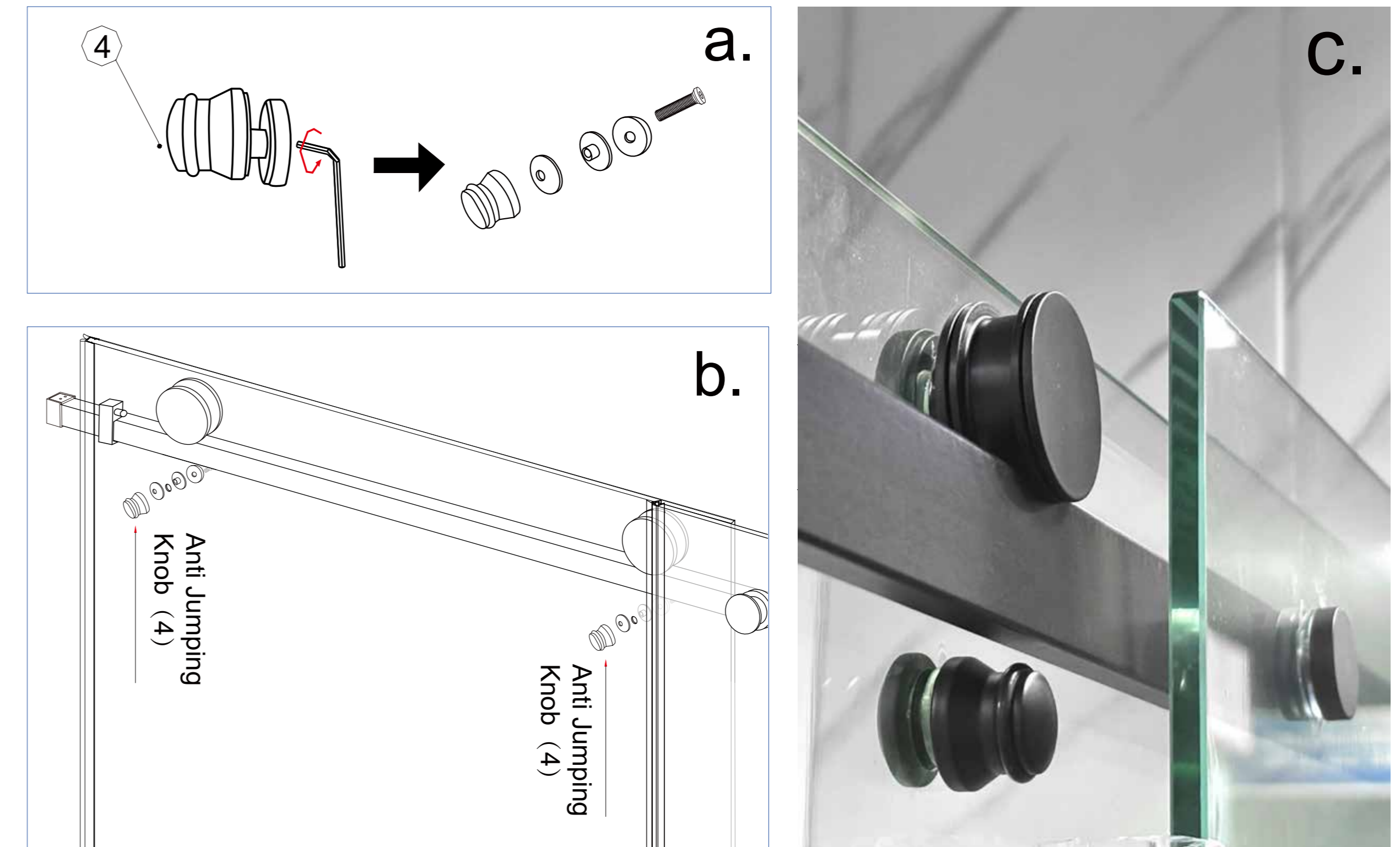




12. Install the Anti-Splash Threshold in front of the sliding Glass Door (#7): First, face the side of the Anti-splash Threshold Cover (#14) with the opening towards the Stationary Glass and insert the open groove into the Stationary Glass. Then, insert the Anti-Splash Threshold (#15) into the other side of the Anti-splash Threshold Cover (#14) and place the entire Anti-splash Threshold horizontally in front of the sliding Glass Door (#7).

Mark the drilling position according to the hole location on the Anti-splash Threshold Cover (#14), Remove all accessories and drill hole at the marked point, apply silicone into the hole, then insert the small wall anchor (#17). Put silicone sealant to the bottom of the Anti-splash threshold (#15),insert the Anti-Splash Threshold (#15) into the other side of the Anti-splash Threshold Cover (#14),reposition to installation location then Use M4x25 Screw (#16) to install the Anti-splash Threshold Cover (#14) at the drilling position then secure it to the floor.

This step uses an Ø 1/4" drill bit to drill holes in the ground.



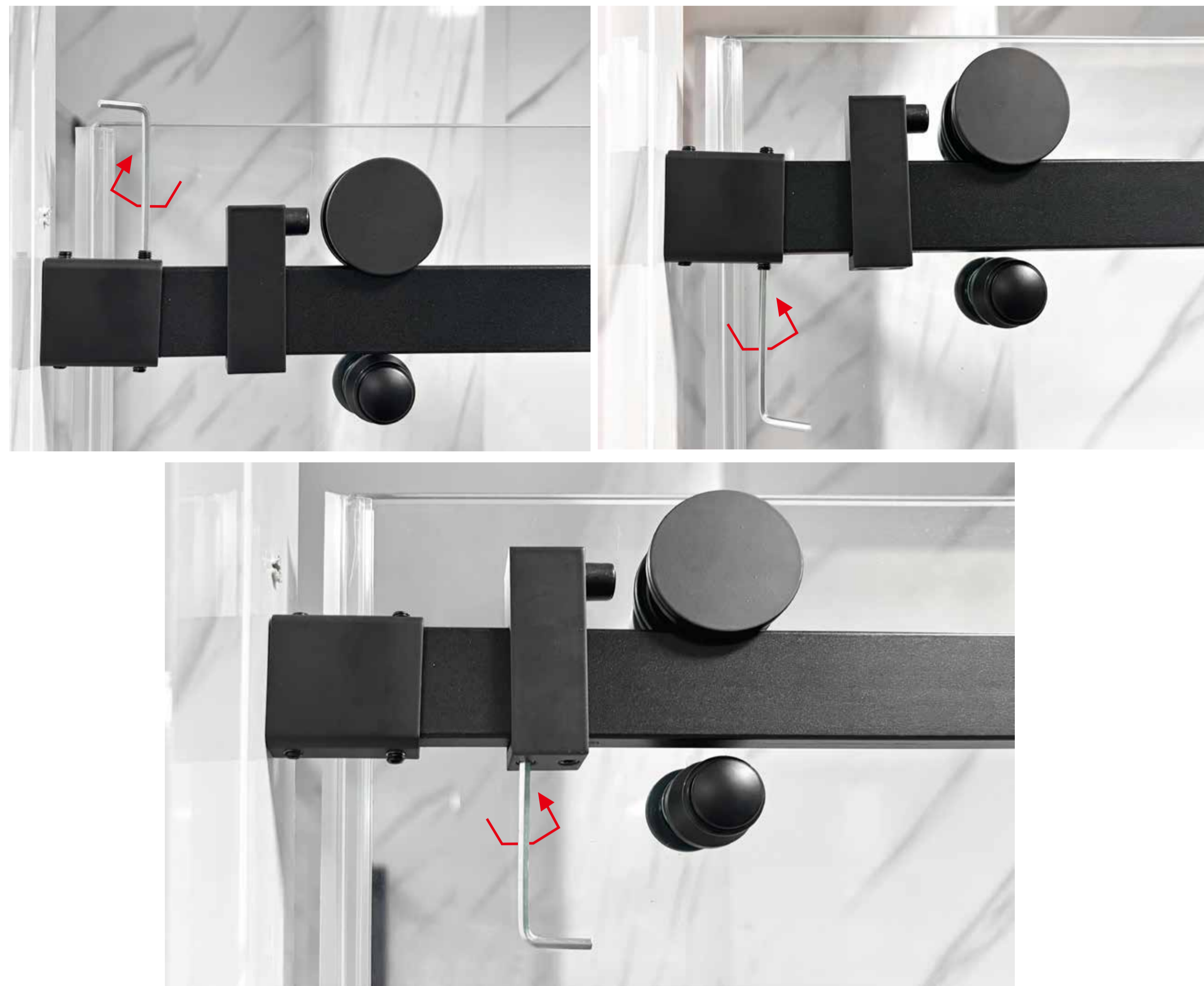
13. Install the Anti jumping knob (#4) to the Sliding Glass Door (#7): Use Allen Key (#23) to unscrew the screw on the back of Anti jumping knob (#4) and disassembling the Anti jumping knob (#4), then install it onto the sliding Glass Door (#7) through the hole under the roller.

Make sure that the clear gasket will be between the glass and the metal parts of the Anti jumping knob (#4).

When installing the Anti jumping knob (#4) , it is important to note that the longer side should be installed on the outside of the glass.

Note: The distance between the Anti jumping knob (#4) and the Upper Guide Rail (#5) should be less than 0.4 in to prevent the glass from falling off.

Please make sure that all the screws are tightened completely during the installation process.

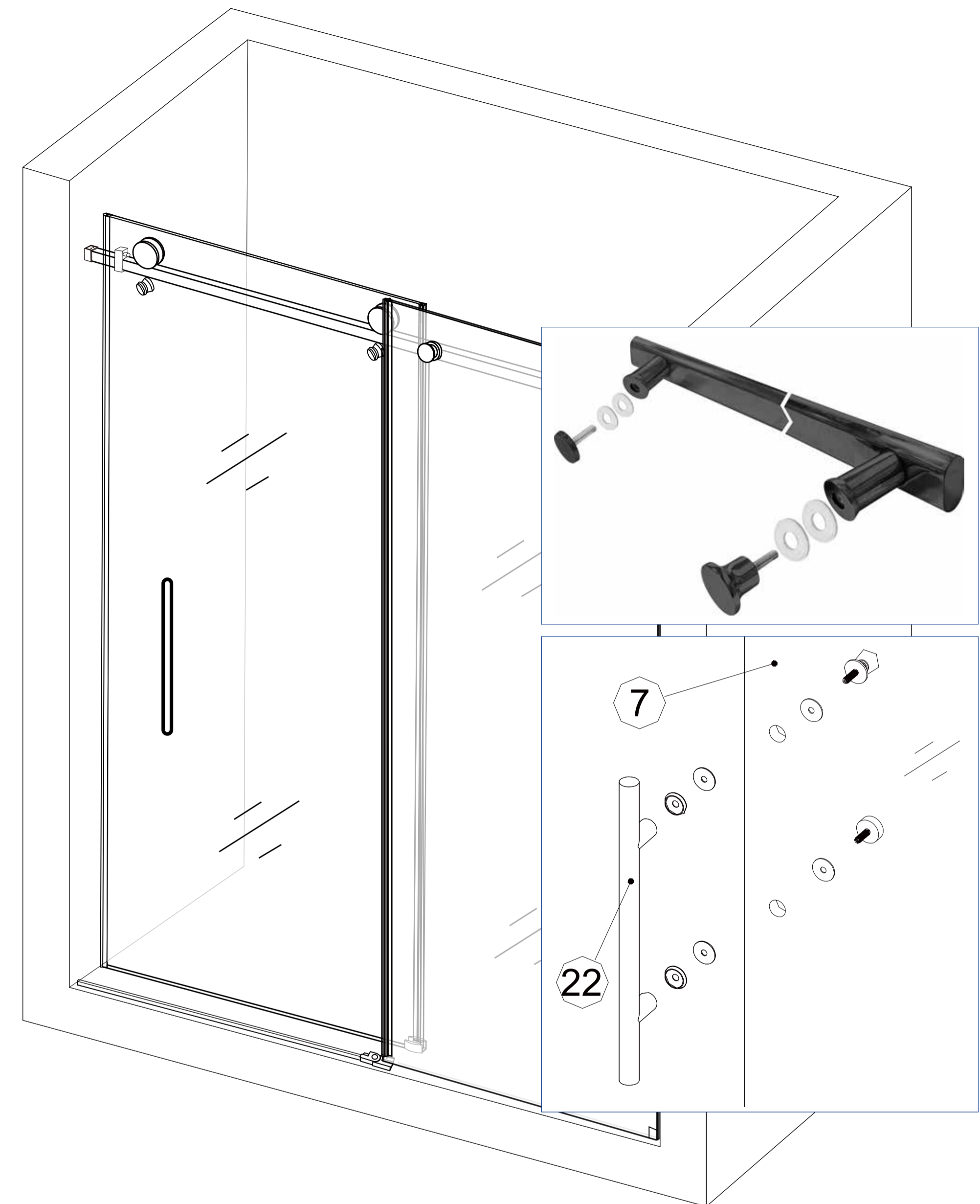


14. Tighten the fasteners on both Rollers (#3), Guide Rail Bracket (#1) and fix the Glass Door Stopper (#6):

Recheck if the screws on the back of Rollers (#3) and the screws on the Guide Rail Bracket (#1) are tightened.

Slide the sliding glass Door (#7) left and right, move the two Glass Door Stopper (#6) to the appropriate position to ensure that the sliding Glass Door (#7) will not hit the left and right wall. Once the position is confirmed, lock the screws of the Glass Door Stopper (#6) from bottom and secure it in place.

Please make sure that the sliding Glass Door (#7) especially the door corners will not hit the walls when closed and opened.



15. Assemble the Door Handle (#22) on the sliding Glass Door (#7) as shown.

When installing the handle, you need to first loosen and remove the upper and lower screws of the handle, and then install the handle along the two holes on the sliding glass. Please refer to the diagram for details. All the necessary accessories are already on the handle.

Please make sure that all the screws are tightened completely during the installation process.