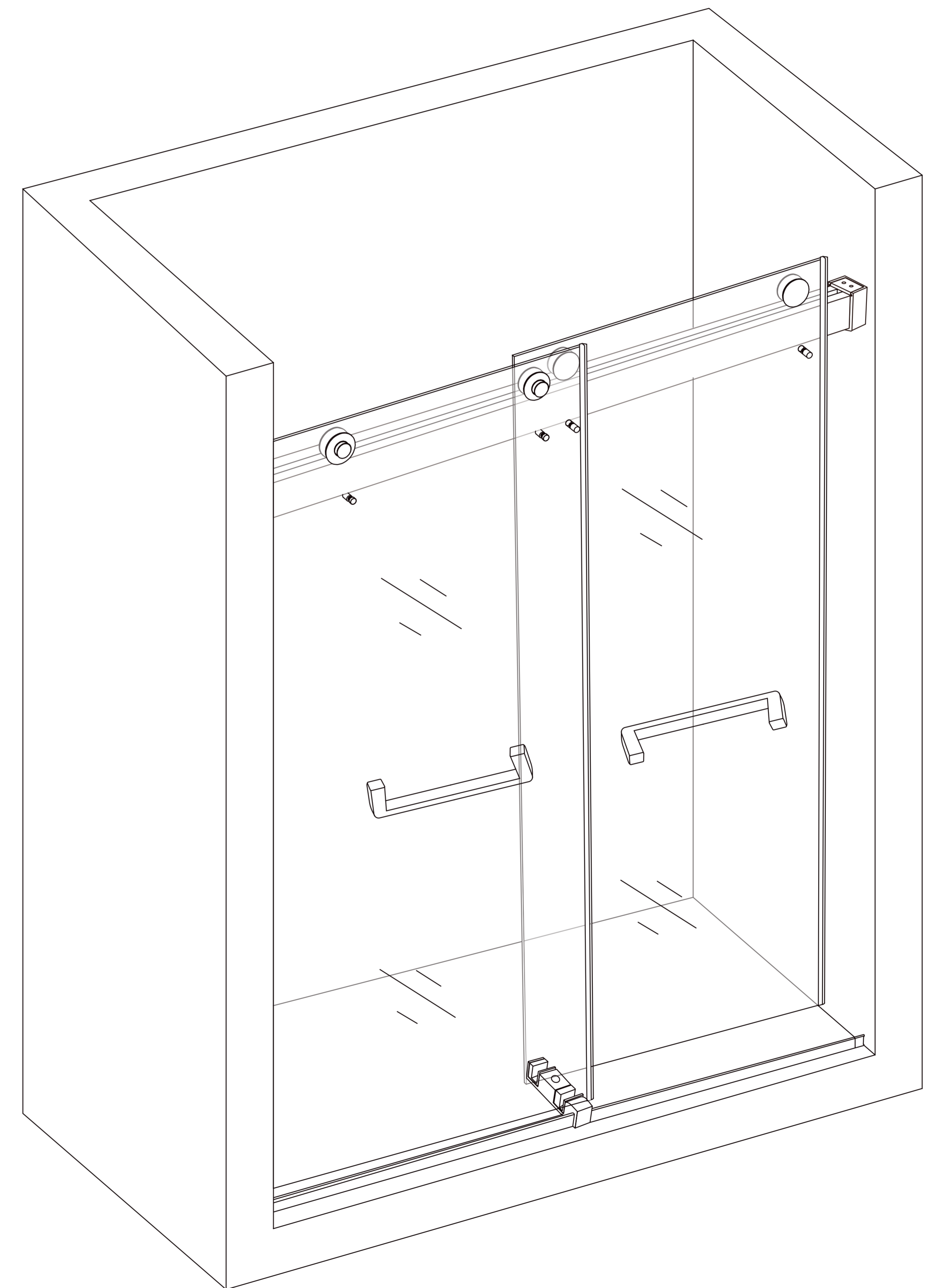


INSTALLATION INSTRUCTIONS

SHOWER DOOR

DELAVIN

W213 6mm



E-MAIL: service@delavinhome.com



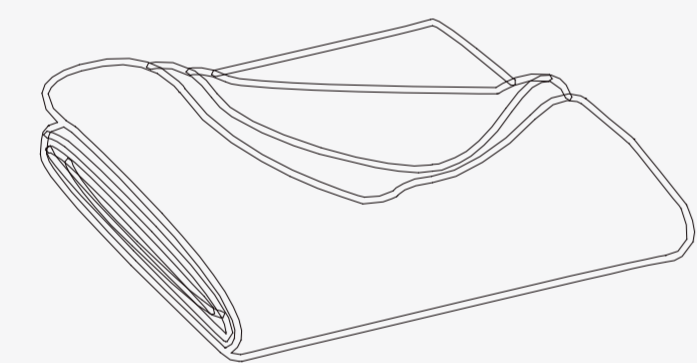
Please read all instructions carefully before installation.



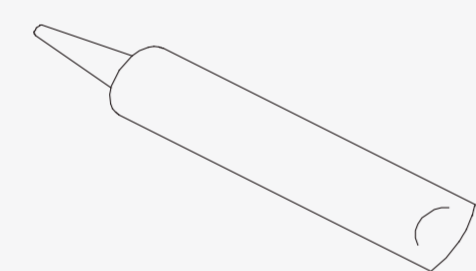
Due to the complexity of the installation process, professional personnel are recommended.

Tools Required

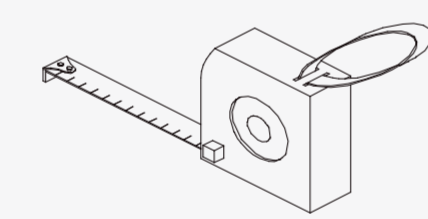
Other tools may be required



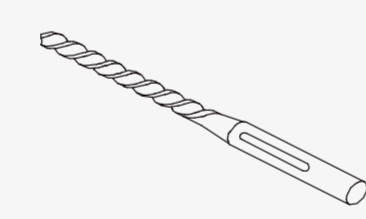
Soft Cloth or Blanket



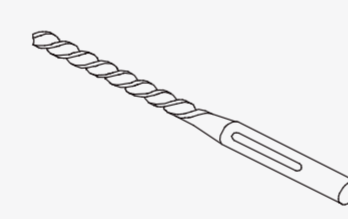
Caulk



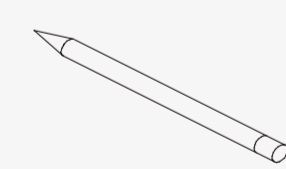
Tape Measure



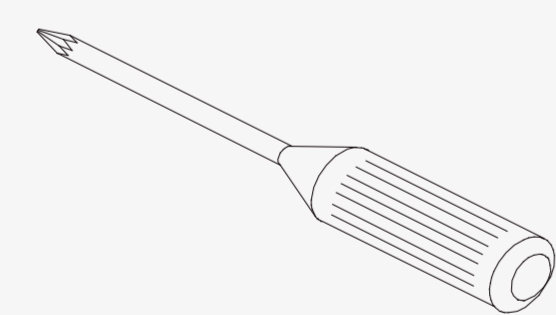
Drill Bit (Ø = 1/8")



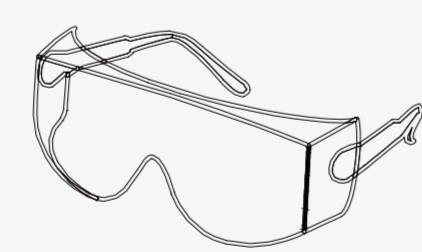
Drill Bit (Ø = 5/16")



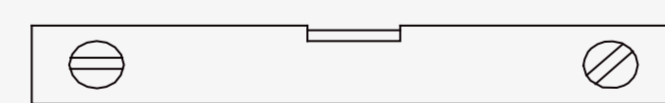
Pencil



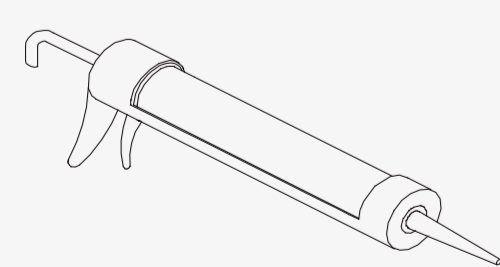
Phillips Screwdriver



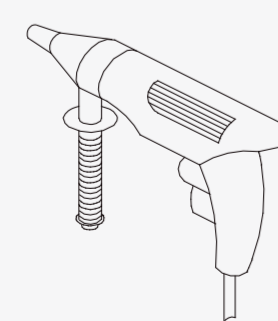
Safety Glass



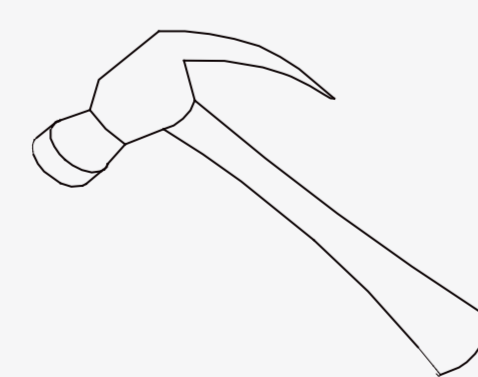
Level



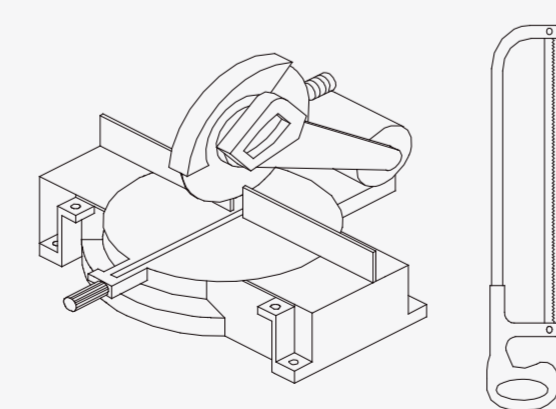
Caulk Gun



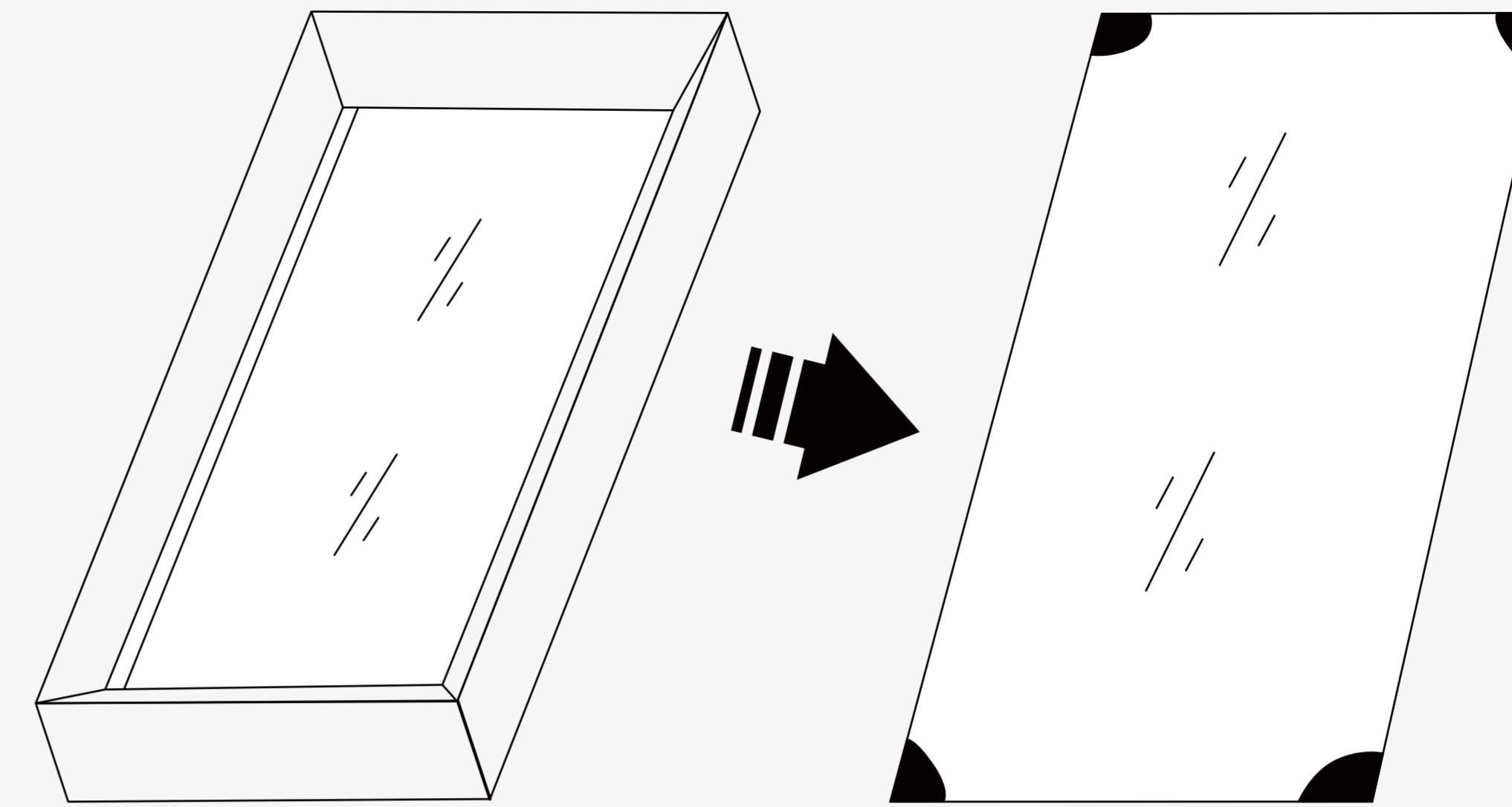
Drill



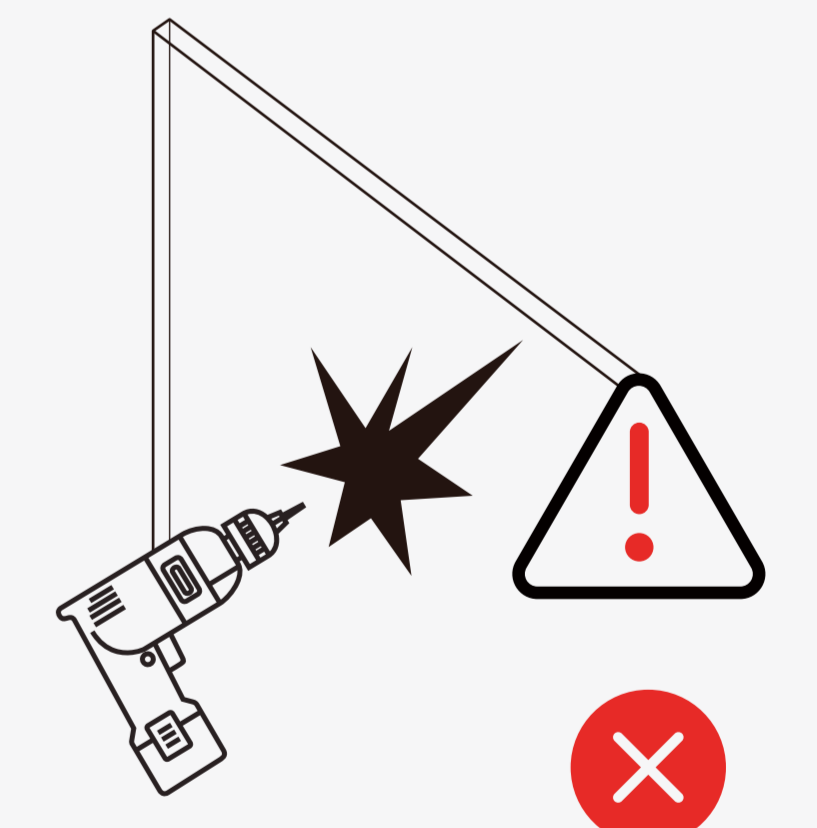
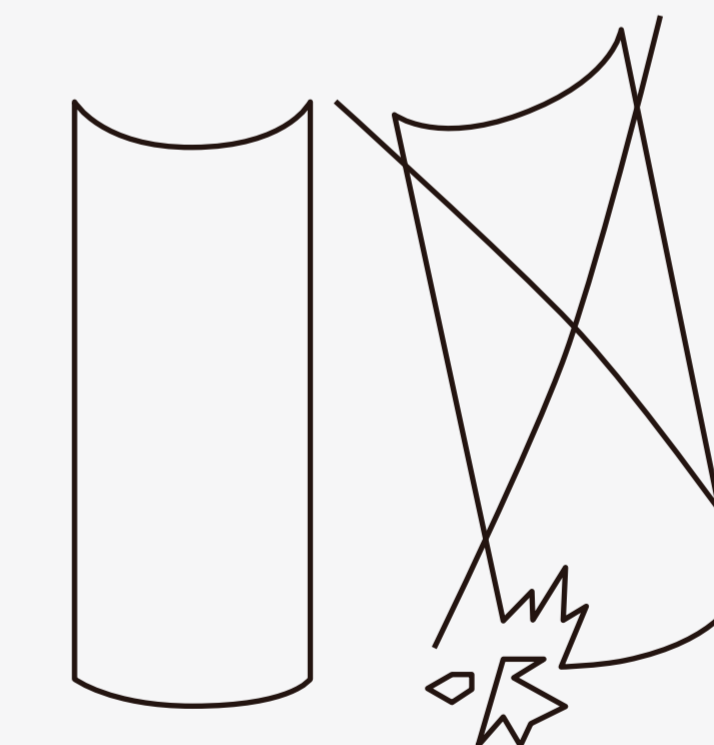
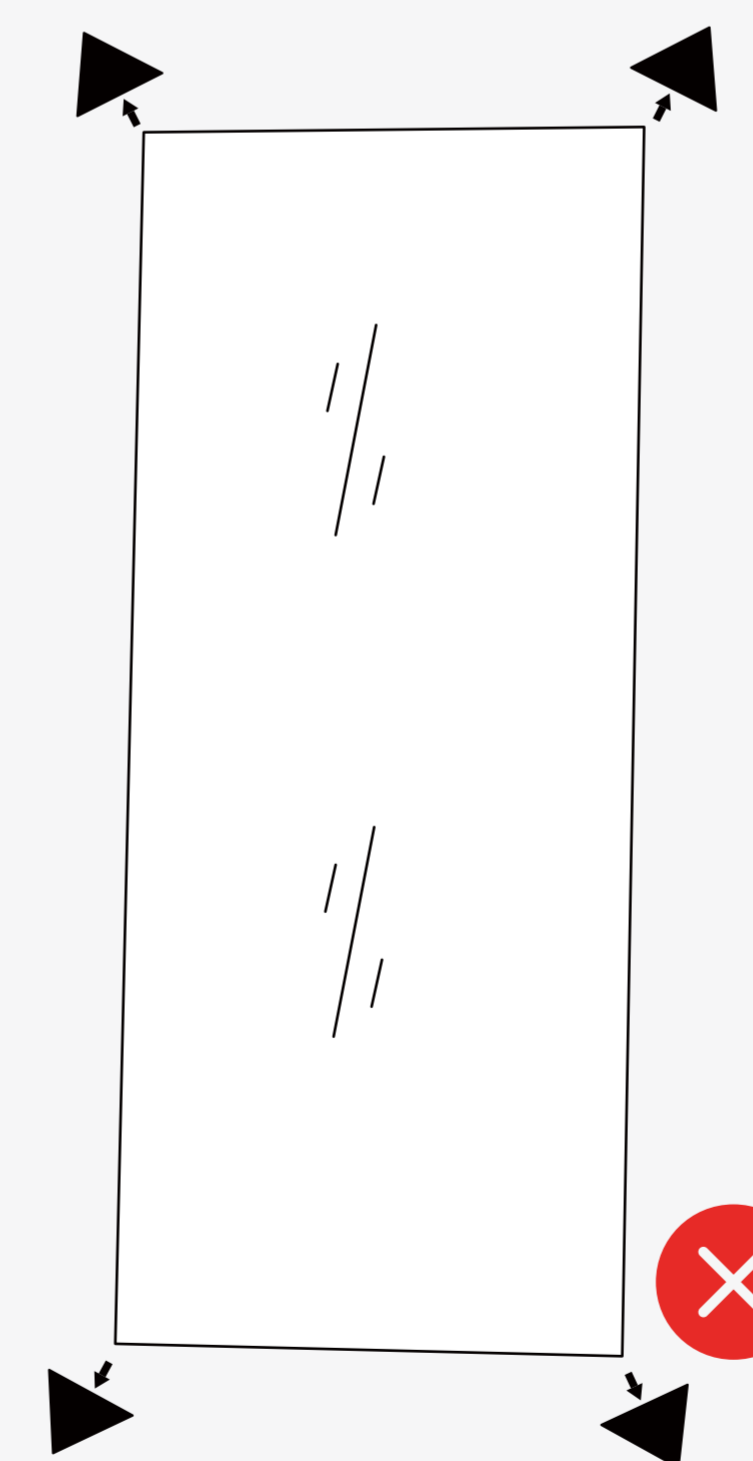
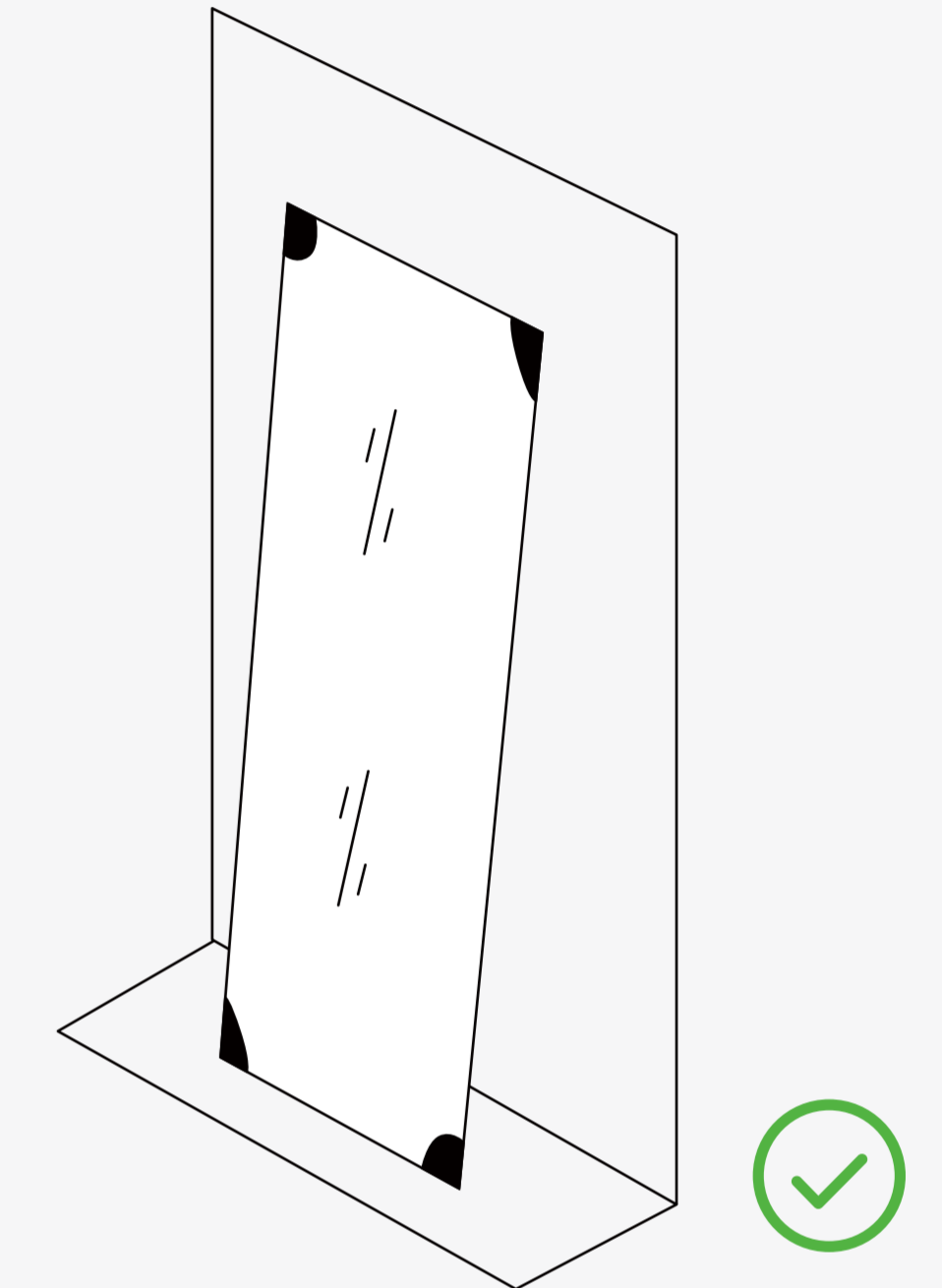
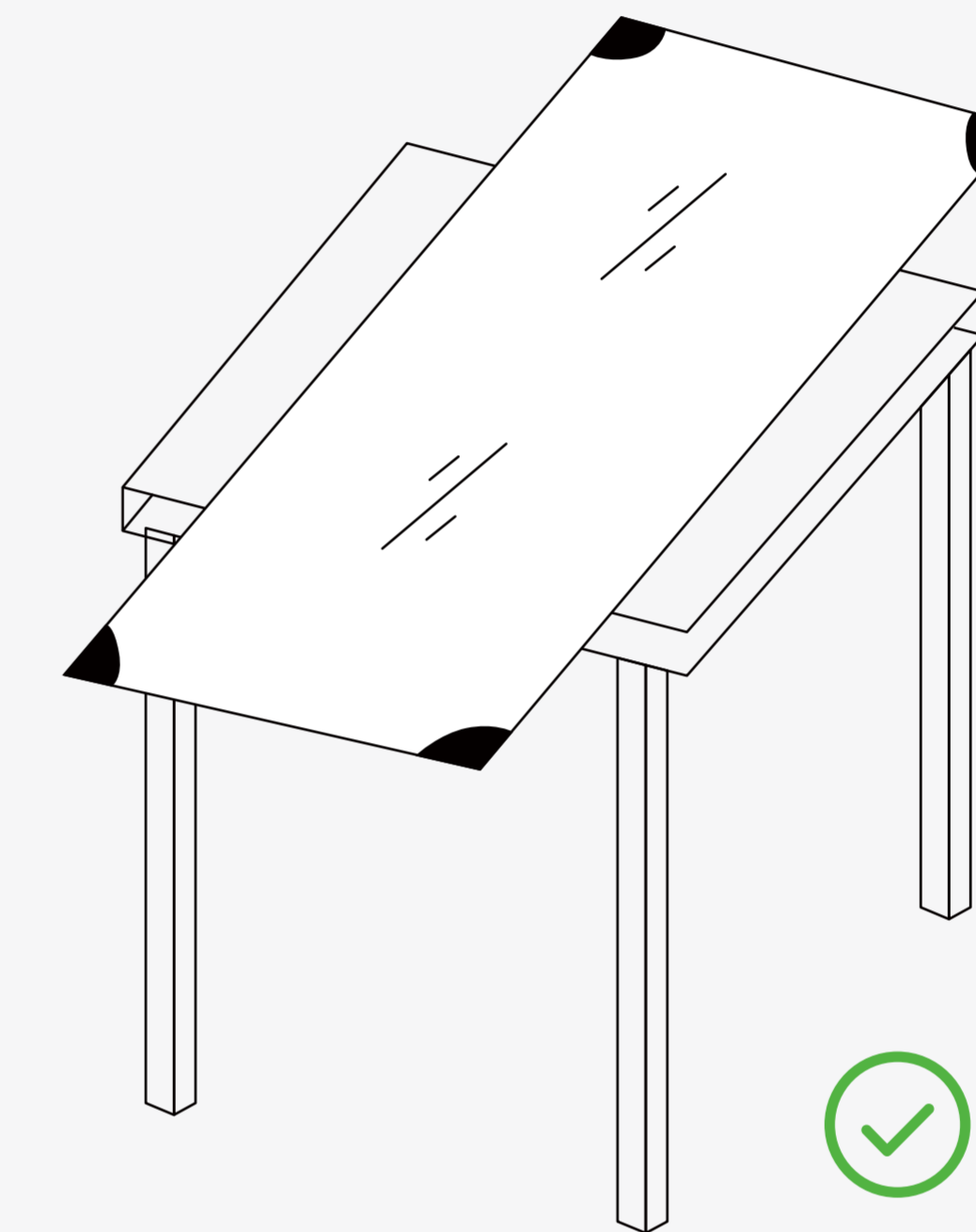
Hammer



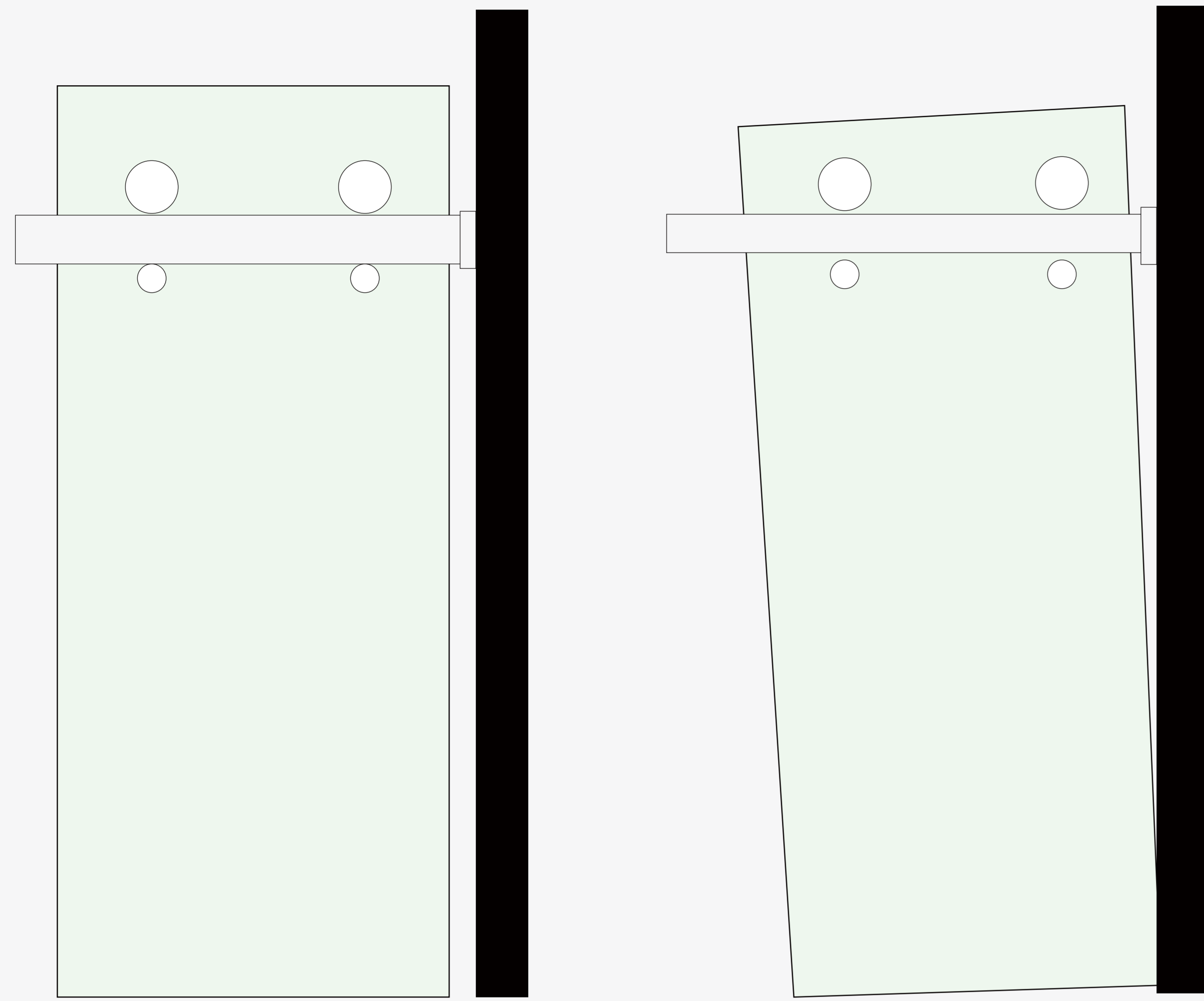
Mitter Saw or Hacksaw



Be careful when moving the glass and properly place the glass.

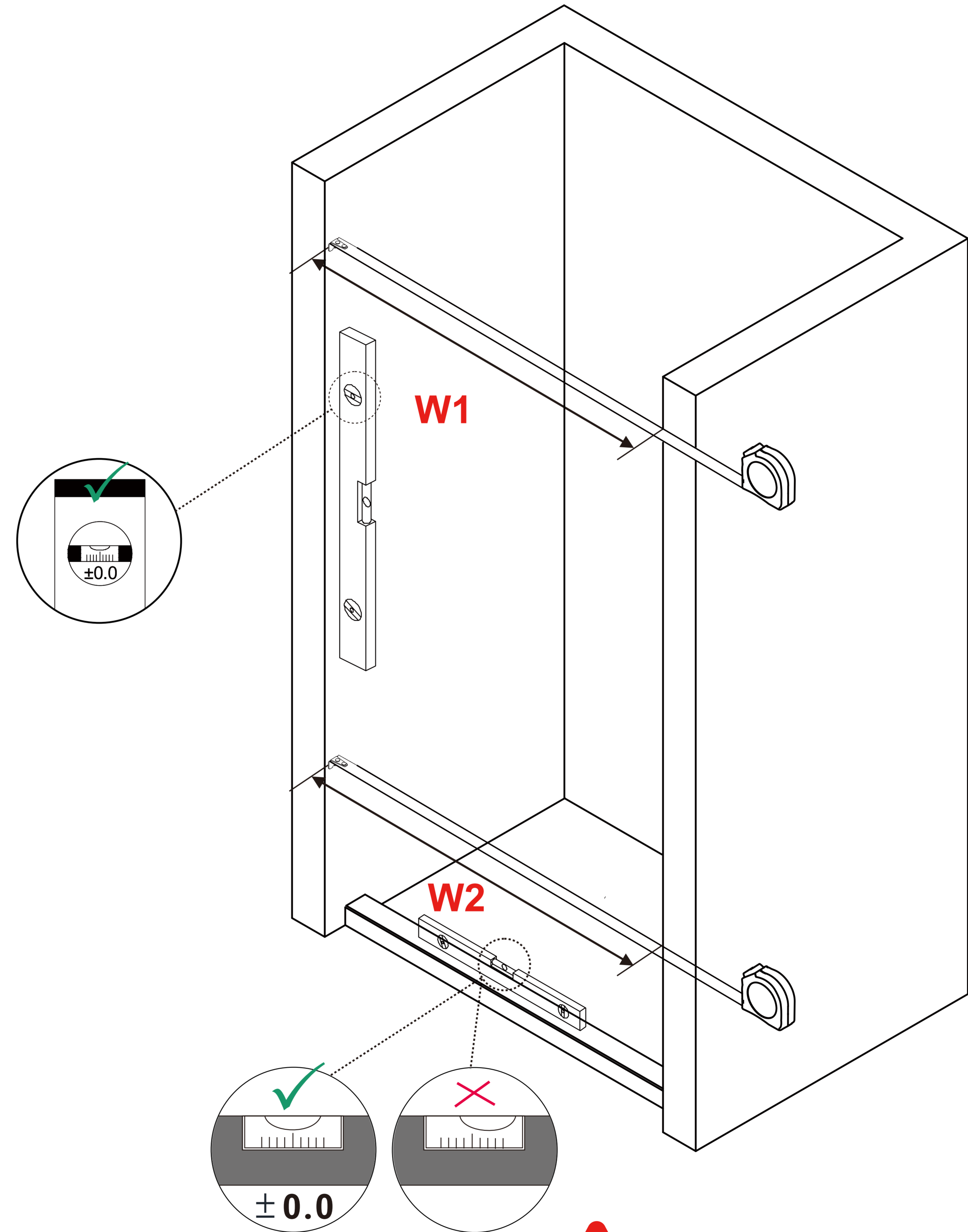


Do not remove the corner guard in advance.
Do not let the corners of the glass collide with a hard surface.
Do not drill glass with a drill bit.



The glass needs to be ensured to be level and vertical.

! Make sure that the wall and the base are level.



W1=W2

! Measure the Width of W1 and W2 carefully, make sure the width of the upper and lower walls is consistent before installation.

IMPORTANT SAFTY INFORMATION



PLEASE READ WARNINGS

Improper use can cause safety hazards, or damage to your product and your home.

Warning	Do	Don't
Serious injury may occur.	<ul style="list-style-type: none"> Assemble following all instructions using all indicated parts and hardware provided. This product must be installed by an adult. Keep children and animals away While installing the product. Improperly assembling or positioning the product may be dangerous. 	<ul style="list-style-type: none"> Do not move unit when loaded. Do not attempt to install it alone, as the product is relatively heavy and prone to damage and injury.

Get Ready to Assemble

For best results, keep these tips in mind:

- ① We know you want to finish this assemble as quick as possible, but trust us: you'll have a better experience if you take it one step at a time.
- ③ Give yourself some space to work near where you want to put this product

- ② We strongly recommend that this product be installed by a licensed and insured professional contractor, including the assistance of a second person during installation.
- ④ If your floor isn't carpeted, assemble this product on the empty carton to avoid scratching.

DO

- ✓ After unpacking, verify that all parts are included using the Shower Door Components Detail Sheet and check for shipping damage. If there are issues, contact customer support.
- ✓ Consult local building codes if you're unsure about installation compliance.
- ✓ Ensure the installation surface is level, solid, and can support the unit's weight, and that walls are at right angles.
- ✓ Protect all major surfaces of the product during installation.

DON'T

- ✗ Irregular mounting surface levels or improper angle of side walls will cause serious problems during installation.
- ✗ Never place glasses directly on tile floors. Leave the corner protector in place until it needs to be removed.
- ✗ Do not attempt to use this product before all steps have been completed.
- ✗ Do not install the product directly, please make sure that all accessories are included and there is no damage.

Consumer Service

If necessary, to quickly free replace damaged/missing parts. Simply have your order ID, instruction manual, and part number/description ready when you write an email to us. It's that easy.



Contact us

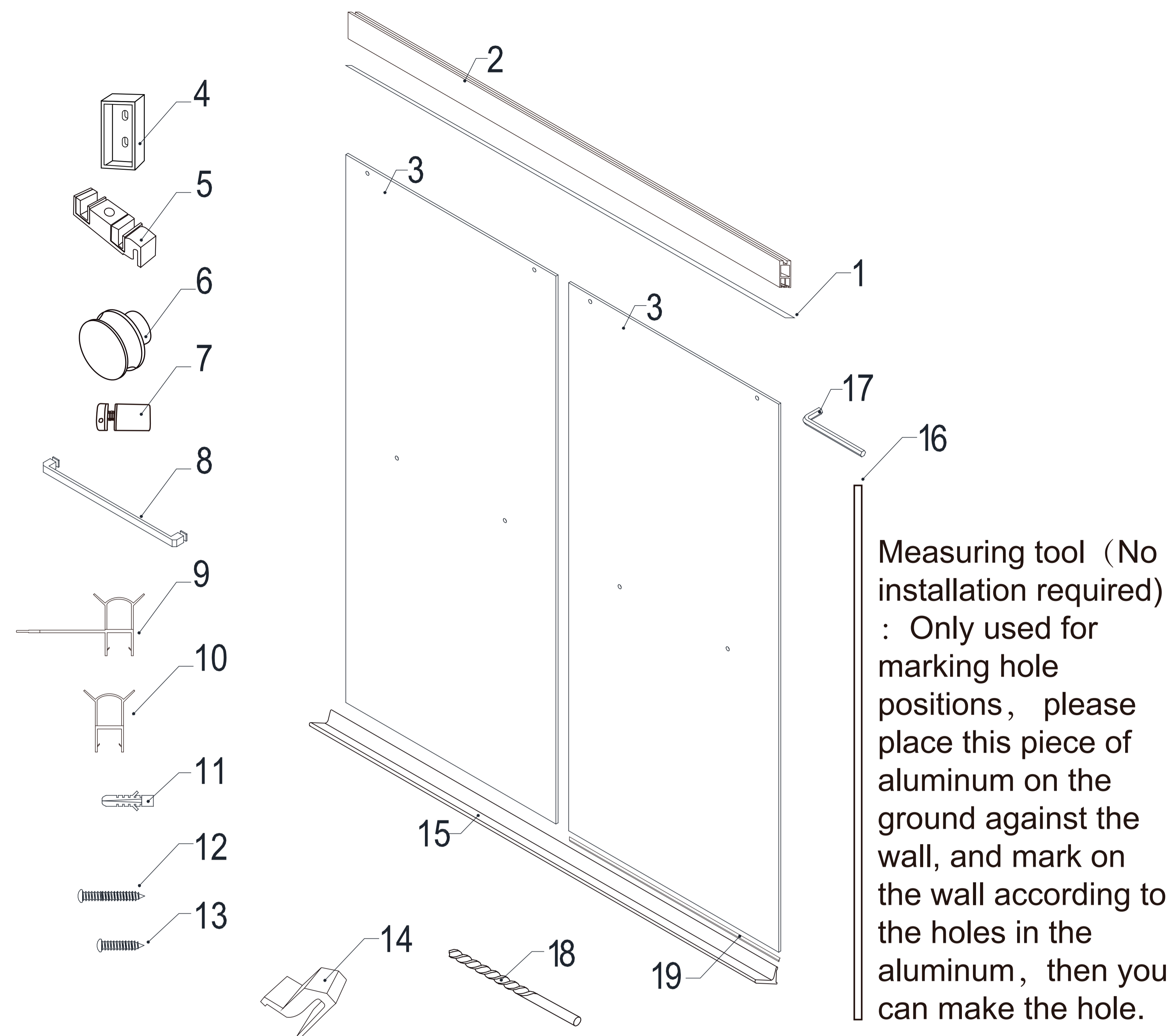
Monday to Sunday (Except holidays)

We will respond within 24 hours.

E-MAIL:
service@delavinhome.com

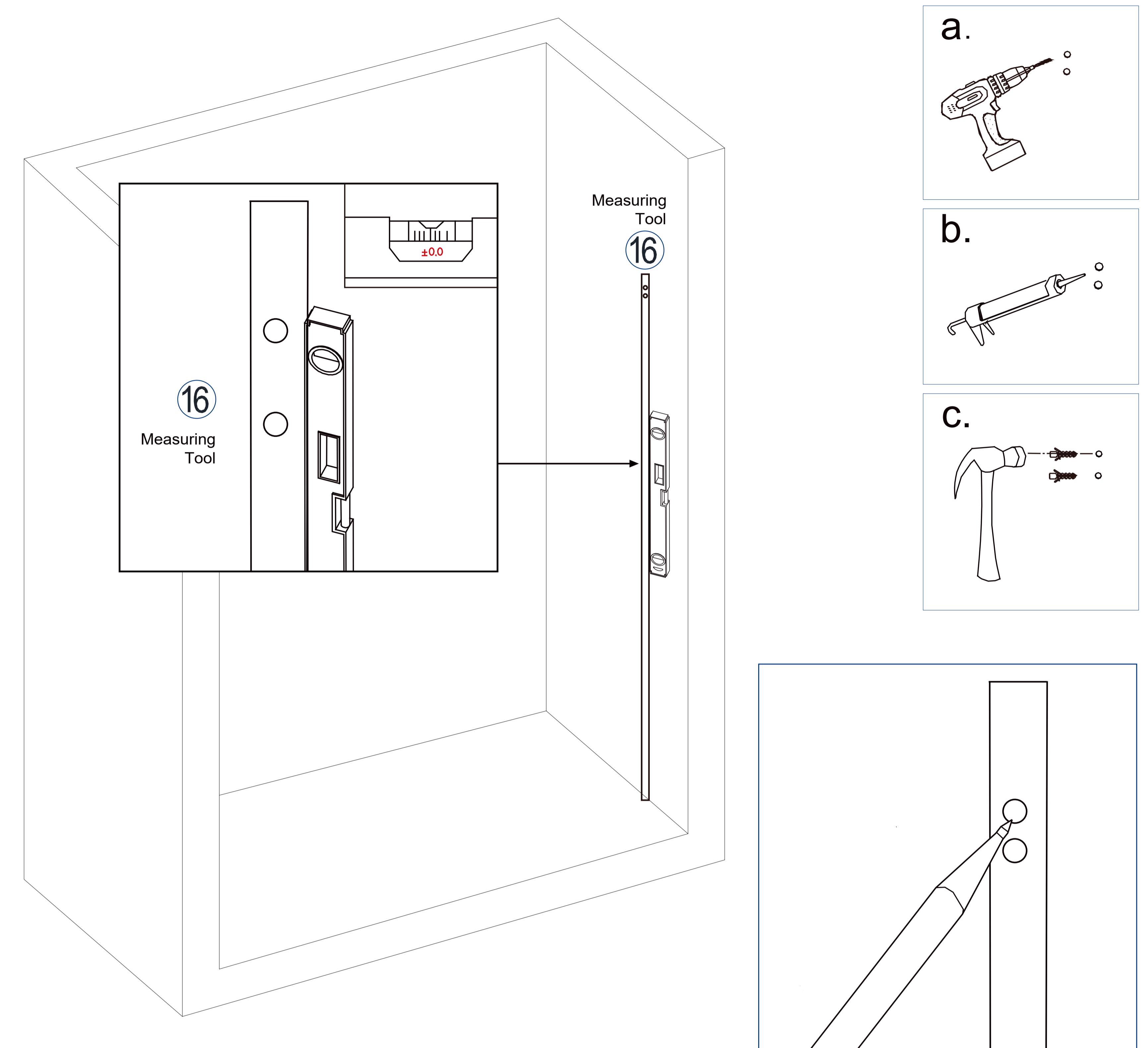
Parts List

 <p>① Bottom Accessory of Upper Guide Rail x1</p>	 <p>② Upper Guide Rail x1</p>	 <p>③ Door Glass x2</p>	 <p>④ Guide Rail Bracket x2</p>
 <p>⑤ Bottom Guide Block x1</p>	 <p>⑥ Roller x4</p>	 <p>⑦ Anti Jumping Knob x4</p>	 <p>⑧ Door Handle x2</p>
 <p>⑨ Water Retaining Strip x2</p>	 <p>⑩ Water Retaining Strip x2</p>	 <p>⑪ Plastic Wall Anchor x9</p>	 <p>⑫ Screw 6x40 x4</p>
 <p>⑬ Screw 4x25 x5</p>	 <p>⑭ Positioning Block x2</p>	 <p>⑮ Anti-Splash Threshold x1</p>	 <p>⑯ Measuring x1</p>
 <p>⑰ Allen Wrench x3</p>	 <p>⑱ Driller φ1/8" x1</p>	 <p>⑲ Bottom Anti-Water Strip x1</p>	

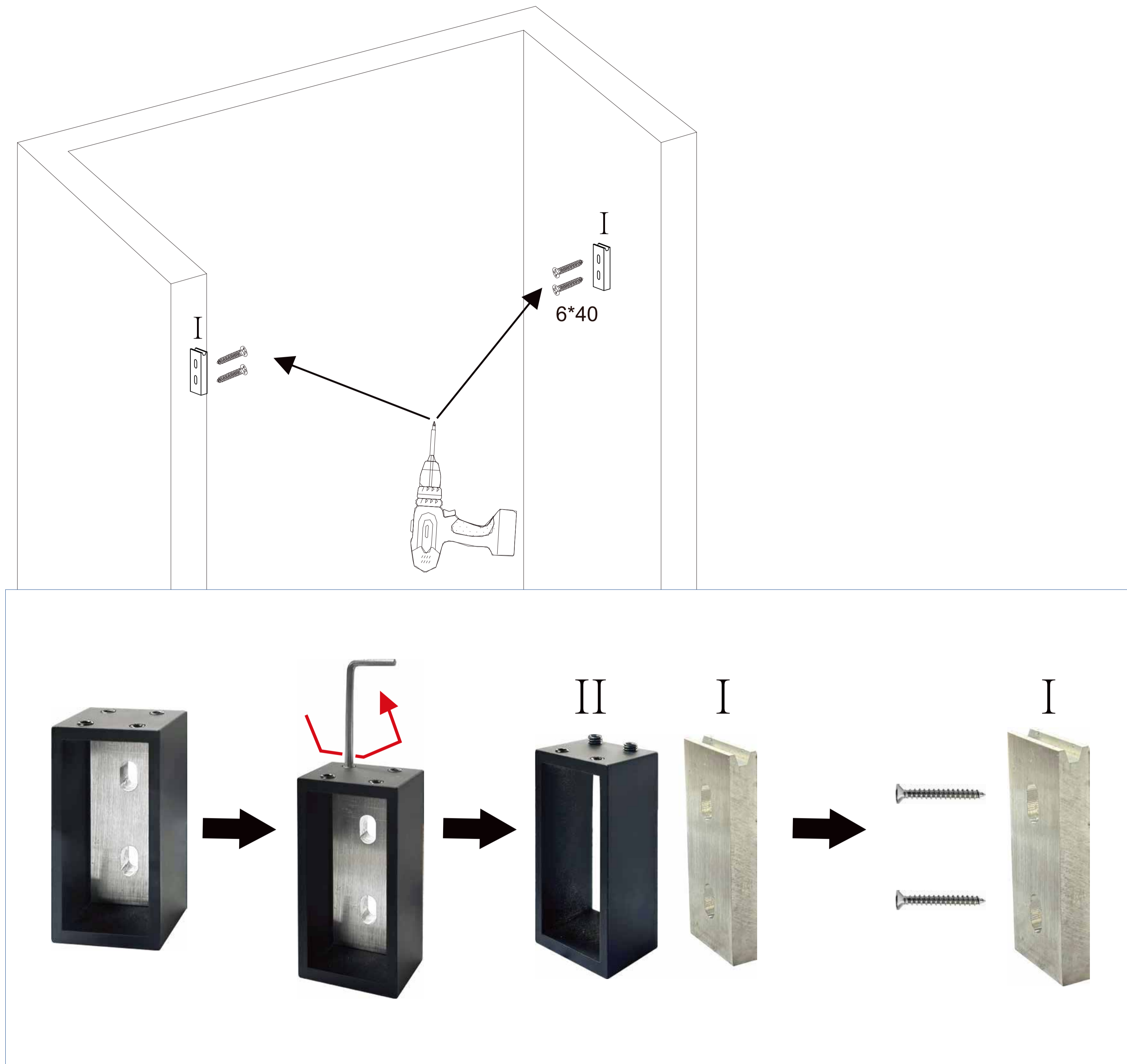


Measuring tool (No installation required) : Only used for marking hole positions, please place this piece of aluminum on the ground against the wall, and mark on the wall according to the holes in the aluminum, then you can make the hole.

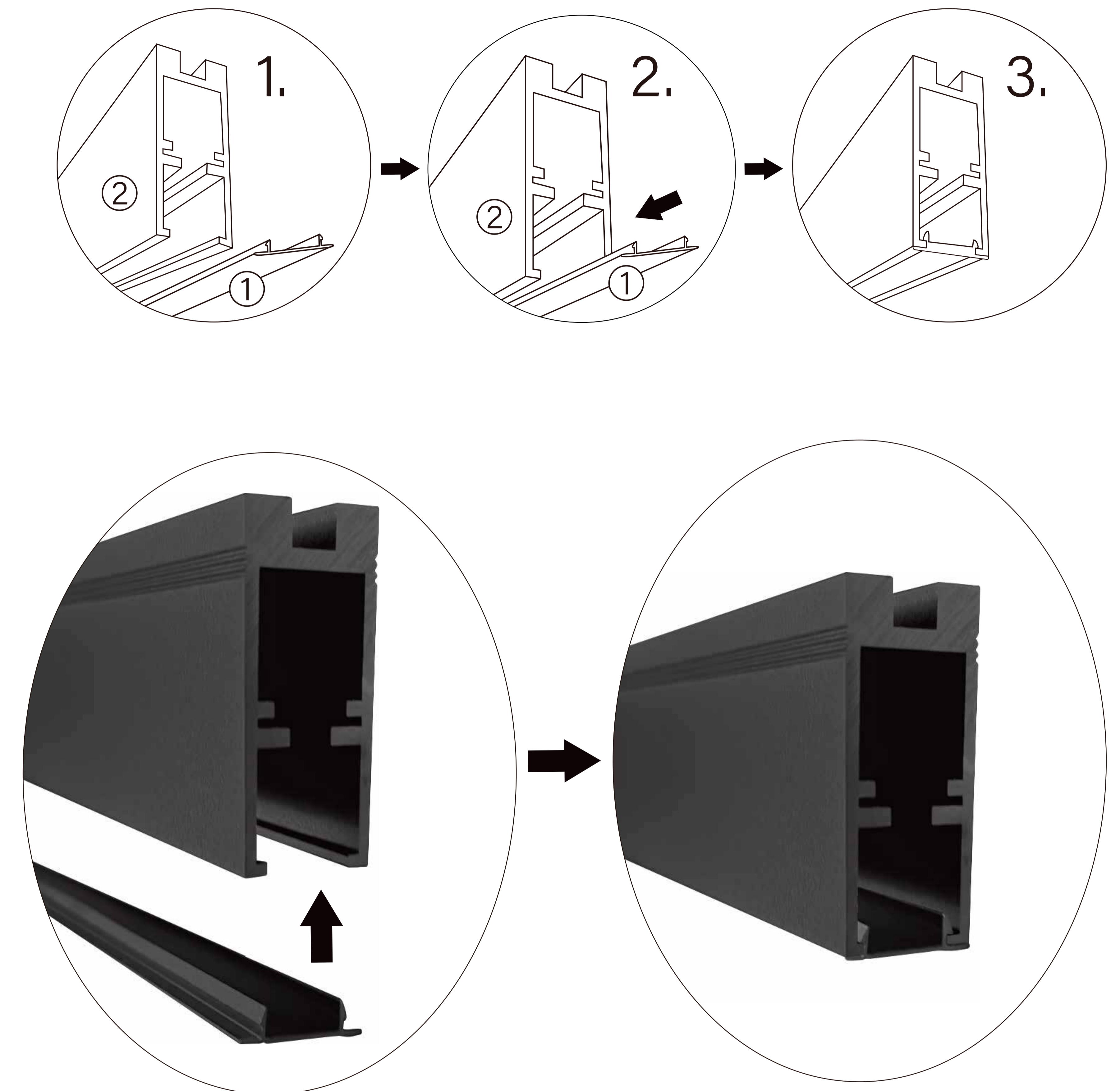
Parts List					
#	ITEM	Qty	#	ITEM	Qty
1	Bottom Accessory of Upper Guide Rail	1pcs	11	Wall Anchor	9pcs
2	Upper Guide Rail	1pc	12	Screw 6x40	4pcs
3	Door Glass	2pcs	13	Screw 4x25	5pcs
4	Guide Rail Bracket	2pcs	14	Positioning Block	2pcs
5	Bottom Guide Block	1pc	15	Anti-Splash Threshold	1pc
6	Roller	4pcs	16	Measuring Tool	1pc
7	Anti Jumping Knob	4pcs	17	Allen Wrench	3pcs
8	Door Handle	2pcs	18	Driller Bit $\phi 1/8''$	1pc
9	Water Retaining Strip	2pcs	19	Bottom Anti-Water Strip	1pc
10	Water Retaining Strip	2pcs	This 19 is installed at the bottom of the inner glass		
TEAR OFF THE GLASS PROTECTIVE FILM BEFORE INSTALLATION					



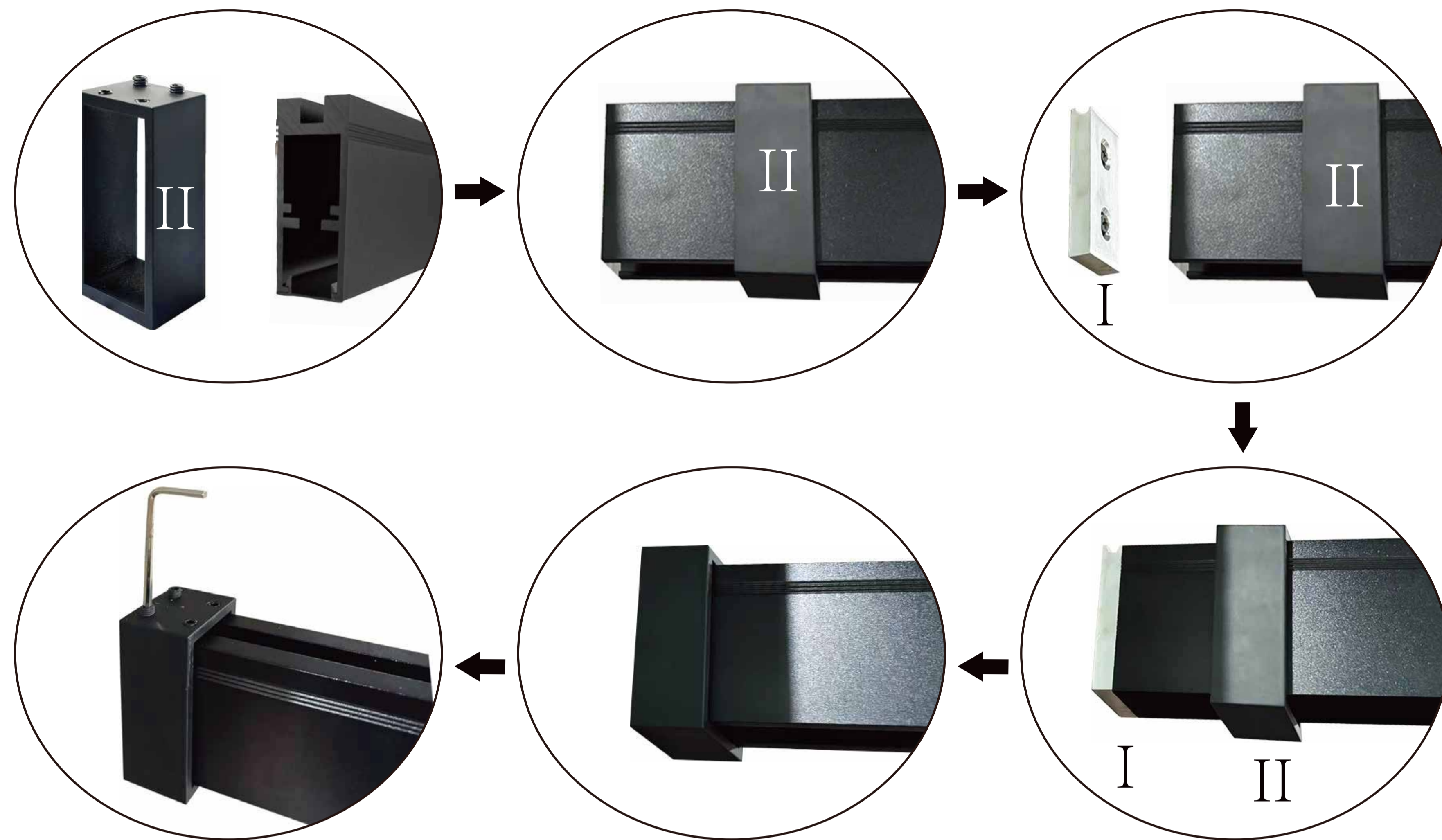
- Place the Measuring Tool (#16) vertically on the left and right walls from the ground. Mark the position of the installation holes on the walls according to the holes on the measuring Tool (#16). The height of the hole above the Measuring Tool (#16) for a 48/60 inch wide shower door is 72 1/4 inches, and the height of the hole below is 70 7/8 inches. The height of the hole above the Measuring Tool (#16) for a 52 inch wide shower door is 69 1/2 inches, and the height of the hole below is 68 1/9 inches.
- Drill holes at the marked locations above and apply silicone into the holes, then insert the Wall anchors (#11) into the holes for the installing Guide Rail Bracket. This step uses an $\phi 5/16''$ drill bit to drill holes in the wall.



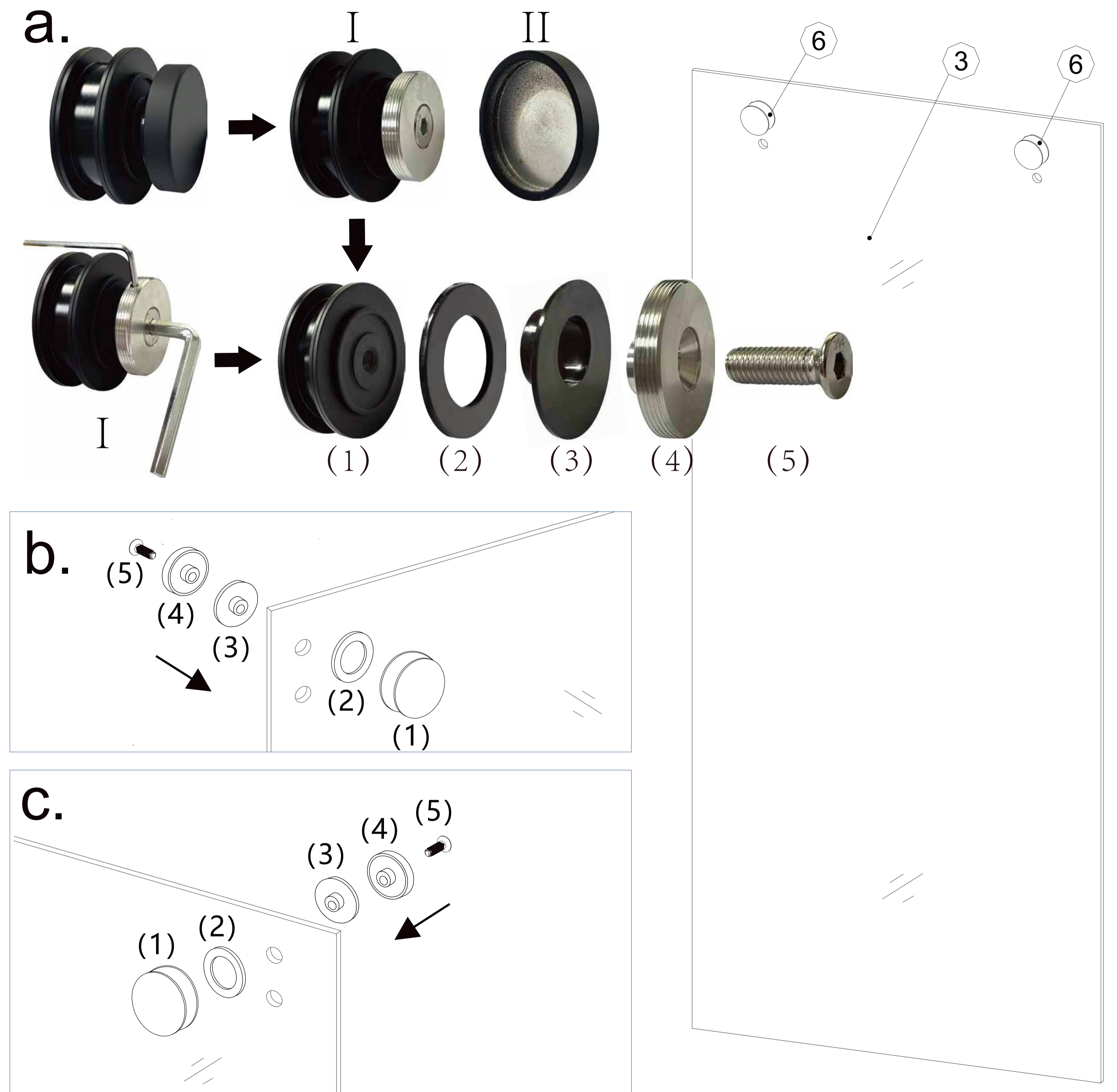
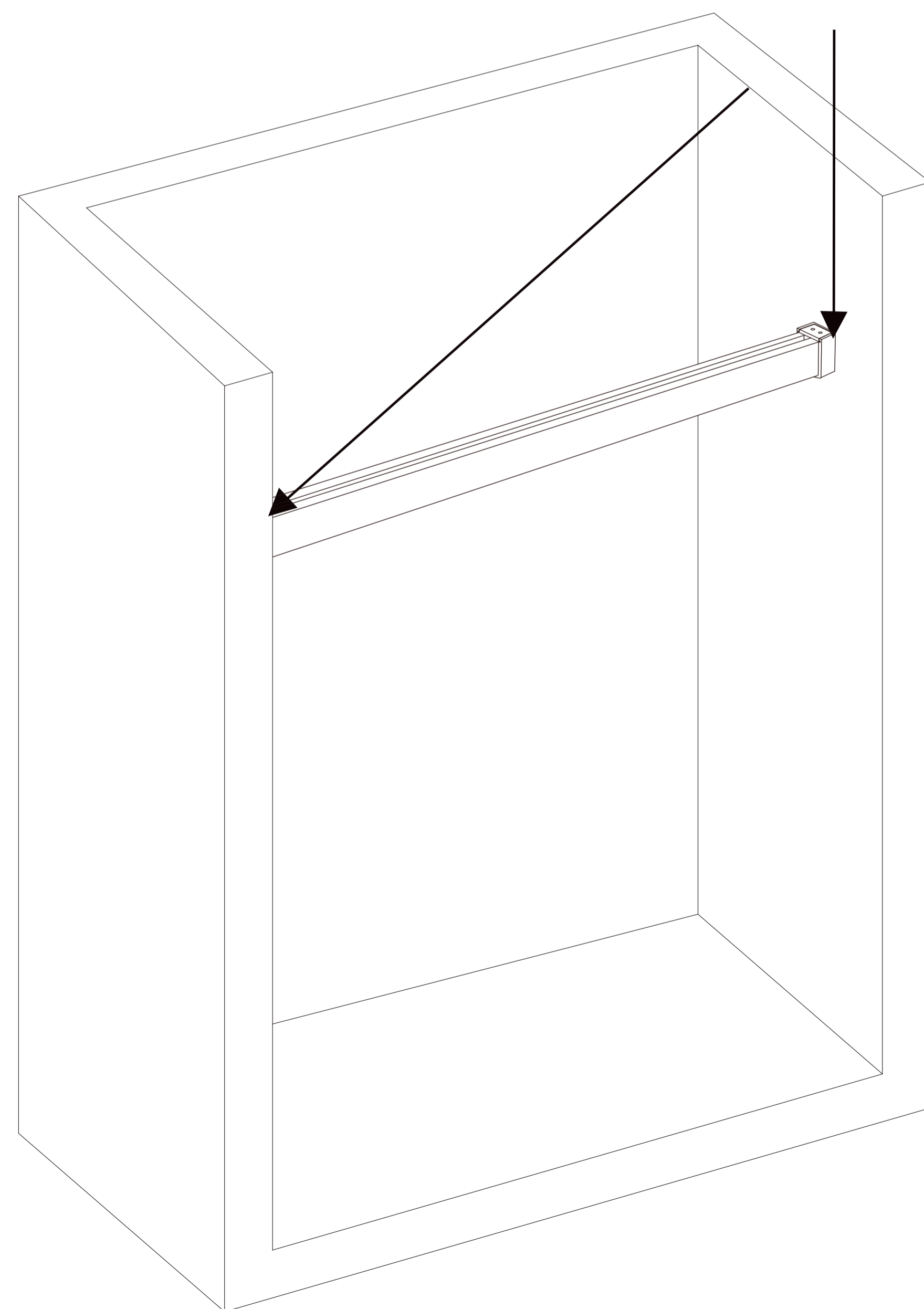
3. Disassemble the Guide Rail Bracket (#4) into Parts I and II using the Allen Wrench (#17) as shown in the diagram. Place the Parts I of Guide Rail Bracket (#4) in the position where the holes were drilled in the previous step, and then use 6*40 screws (#12) to fix the Part I to the wall through the holes. The other side of the Parts I is installed in the same way.



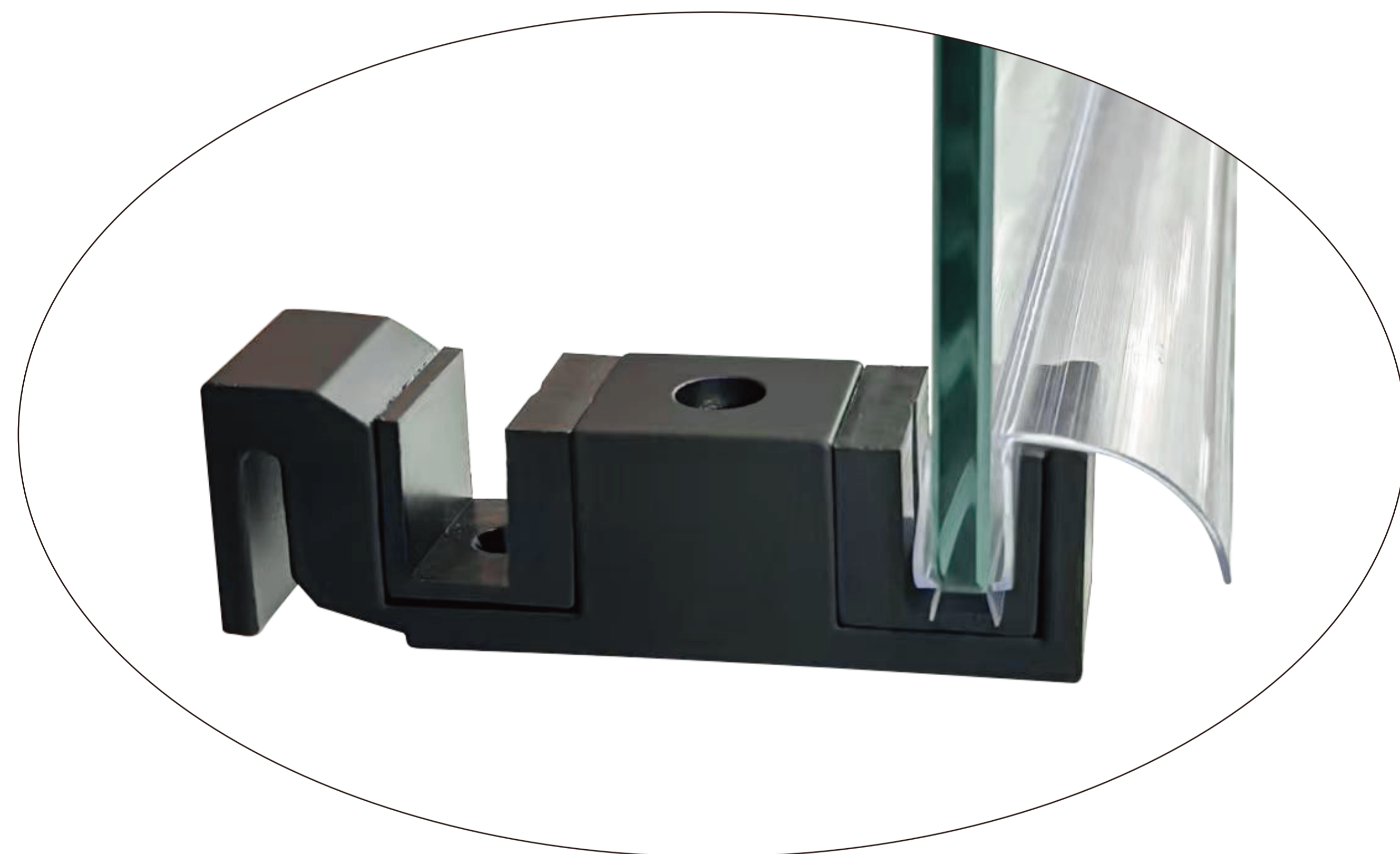
4. Insert Bottom Accessory of Upper Guide Rail (#1) into Upper Guide Rail (#2) forms the complete Upper Guide Rail.



5. Insert Part II of the Guide Rail Bracket (#4) into both ends of the Upper Guide Rail (#2), and then place the Upper Guide Rail (#2) at the installation position. Move the Part II of the Guide Rail Bracket (#4) to both ends, insert II back into I, and then tighten the screws on the top of II using the Allen Wrench (#17) to reconnect I and II together.

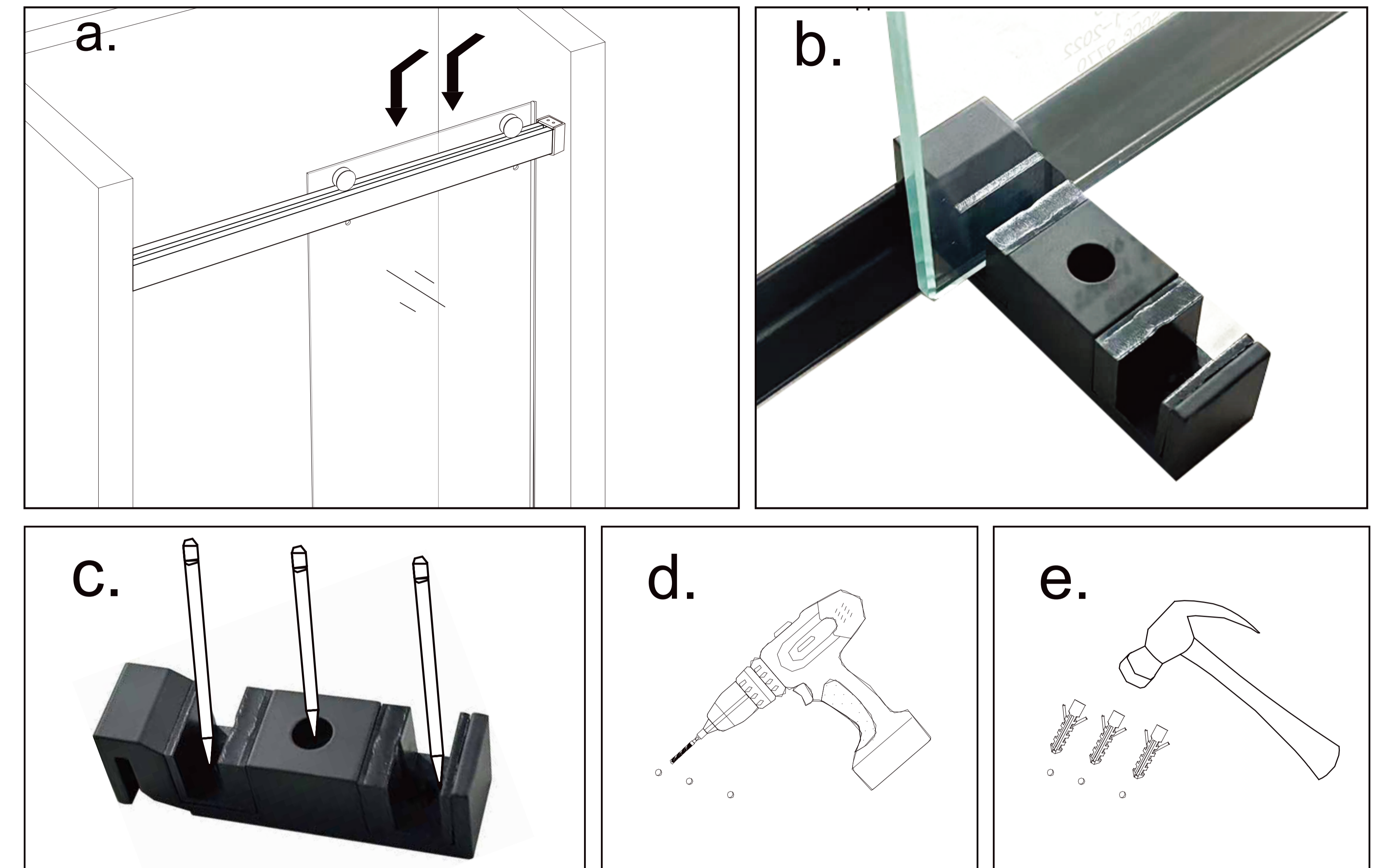


6. First remove the Roller (#6) cover. Then disassemble the Roller (#6) according to the diagram: First, Insert a thin Allen Key (#17) into the threaded hole on the side of Roller (#6), press and hold Allen Key (#17) to secure part (4) in place, and then use a thick Allen Key (#17) to unscrew the large screw on the back of Roller (#6). Then install the disassembled rollers to the Door Glass (#3) according to the diagram through the two top holes on the Door Glass (#3). Finally, reinstall the Roller (#6) cover. Please make sure that all the screws are tightened completely during the installation process.



7. Install the Bottom Anti-Water Strip (#19) to the bottom of the inner Door Glass (#3), the side with the edge should face the inside of the glass, and the edge should be exposed outside the Bottom Guide Block (#5), as shown in the figure.

In order to open the door more smoothly, only one Bottom Anti-Water Strip (#19) is equipped, installed at the bottom of the inside glass door.

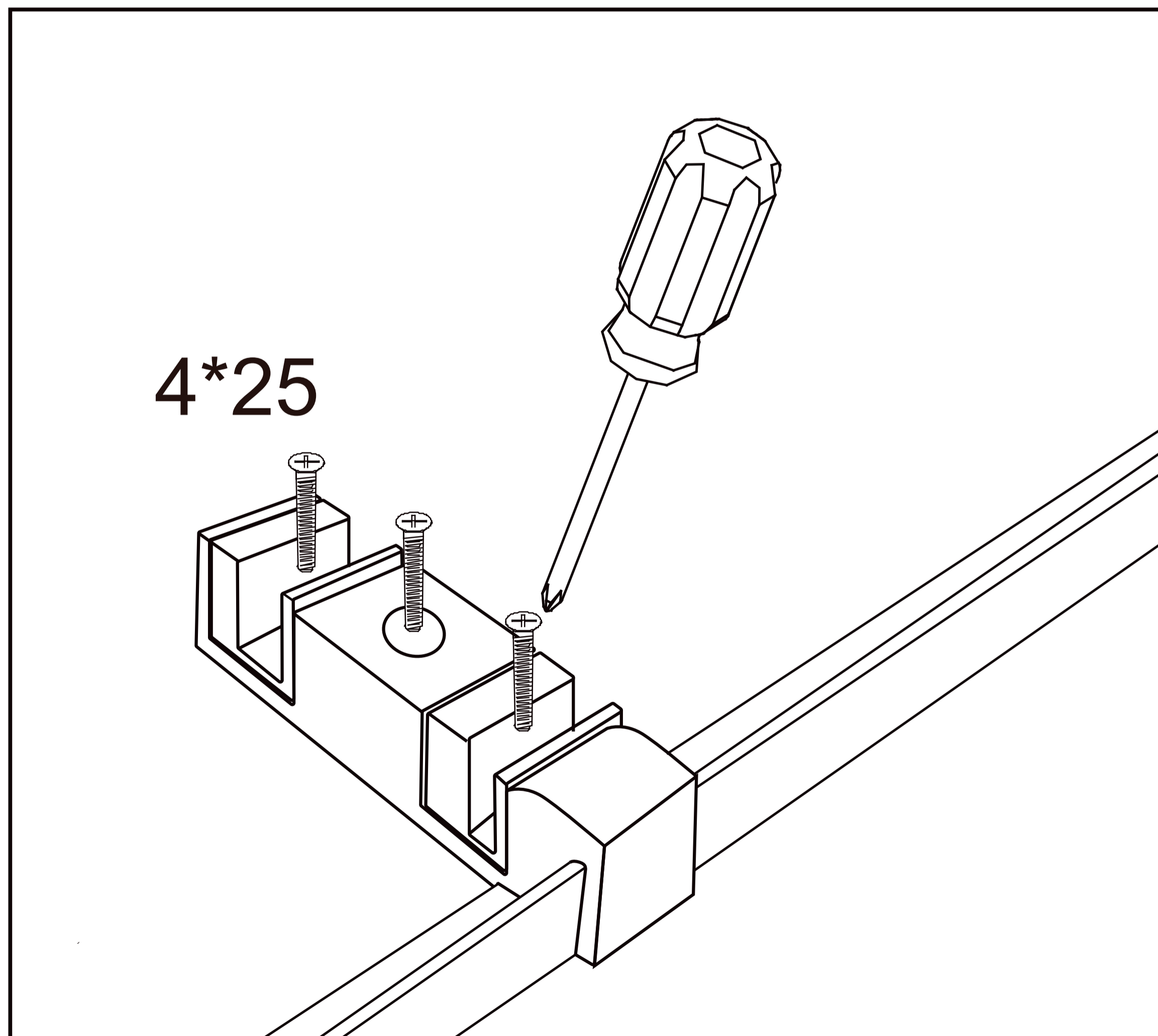
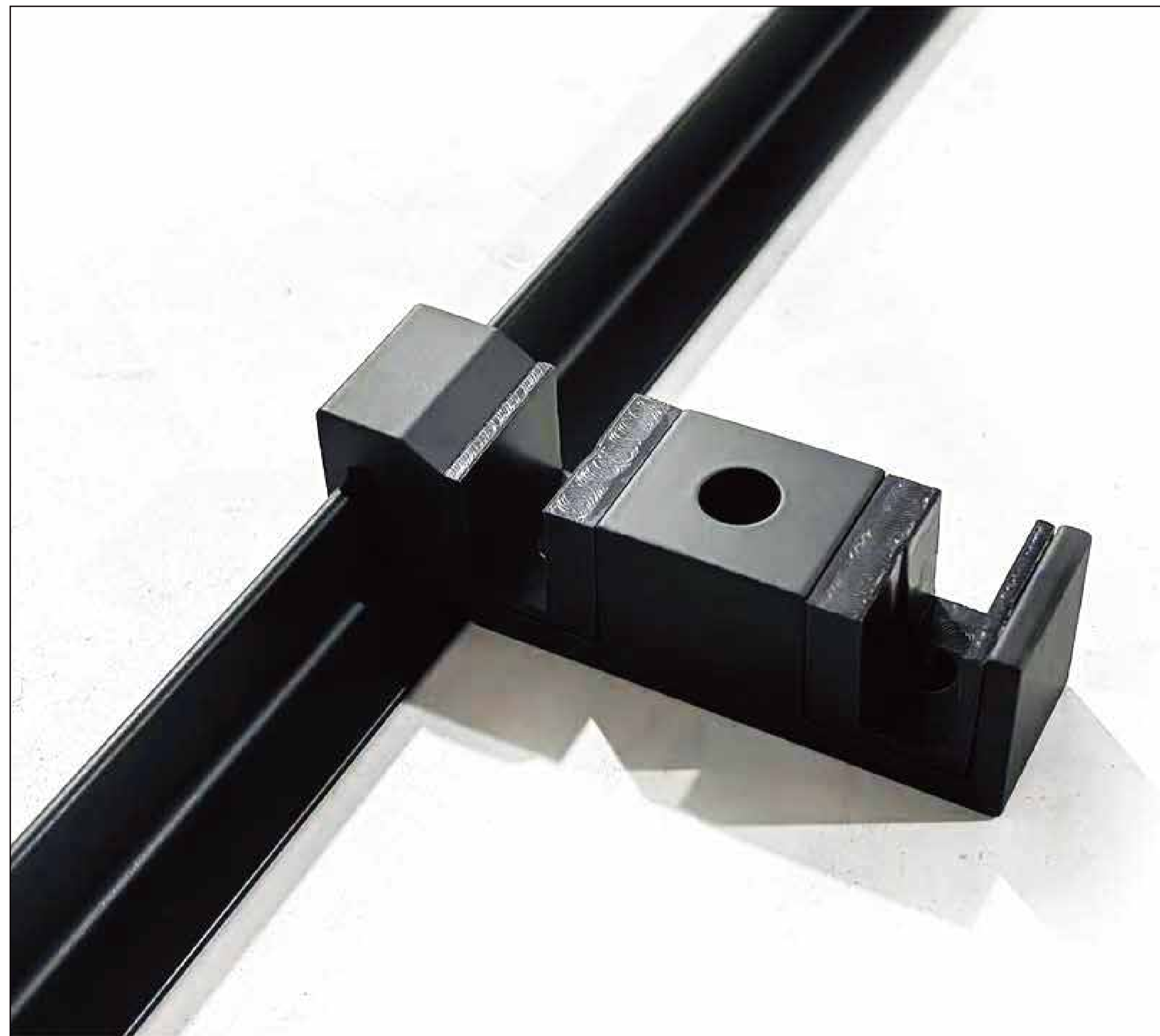


8. Hang the Door Glass (#3) on the Upper Guide Rail (#2). Ensure that the rollers slide properly on the track of the Upper Guide Rail (#2). Then slide the bottom edge of the glass door into the groove of the Bottom Guide Block (#5). The inner glass slides into the inner groove, and the outer glass slides into the outer groove, make sure the door glass is vertical to determine the vertical installation position of Bottom Guide Block (#5), and then ensure that Bottom Guide Block (#5) is centered on the left and right of the entire installation space to determine the horizontal installation position.

After determining the position, mark the positions of the three holes on the Bottom Guide Block (#5).

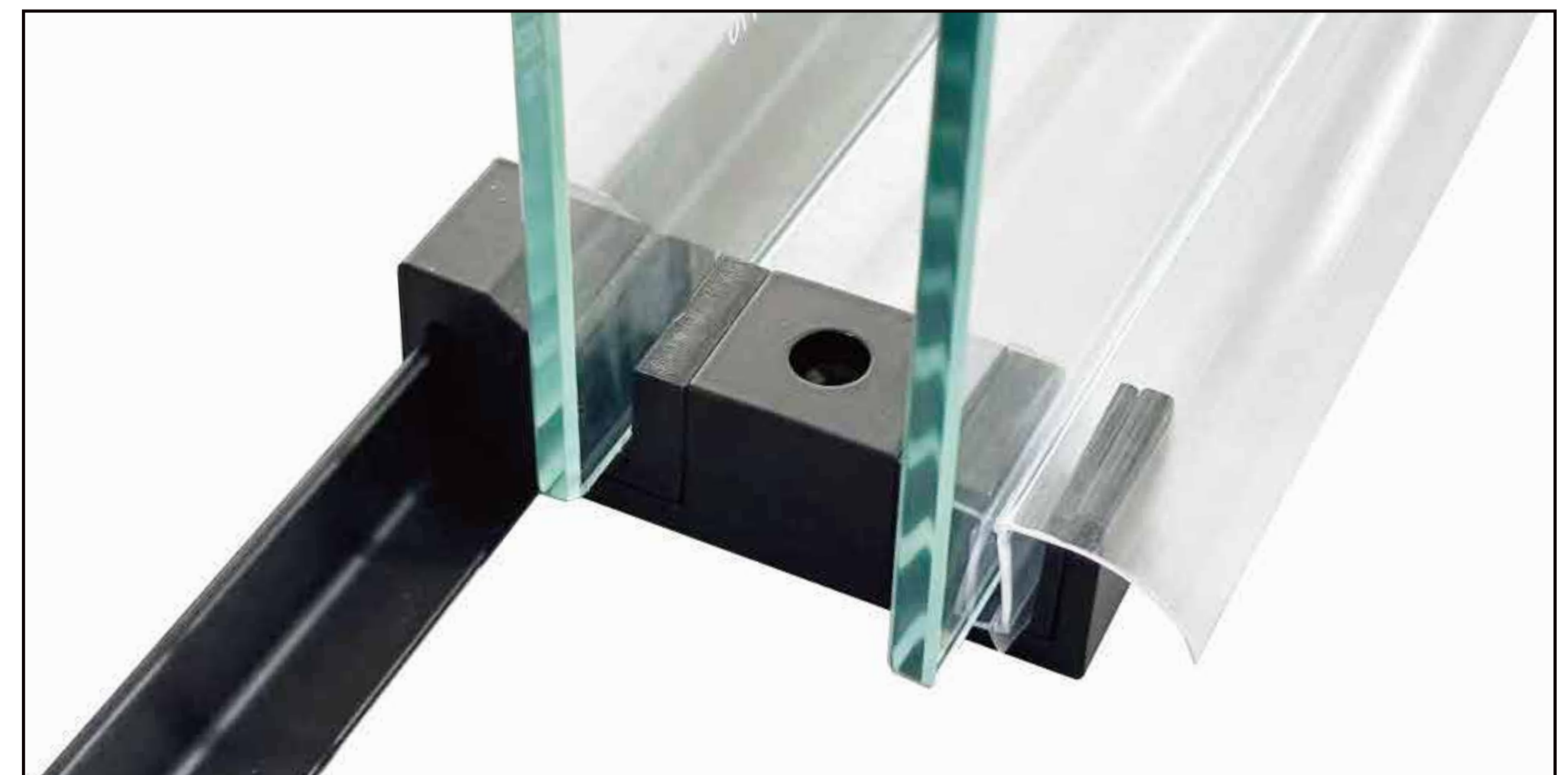
Remove the Door Glass (#3) and drill holes at marked positions and apply silicone to the holes, then insert the wall anchor (#11).

To make holes in the ground use a \varnothing 1/8" bit drill.



9. Place the Anti-Splash Threshold (#15) against the shower floor, making sure the Threshold is level. Then place the Bottom Guide Block (#5) on the Anti-Splash Threshold (#15) according to the diagram and correspond to the previously determined and drilled positions.

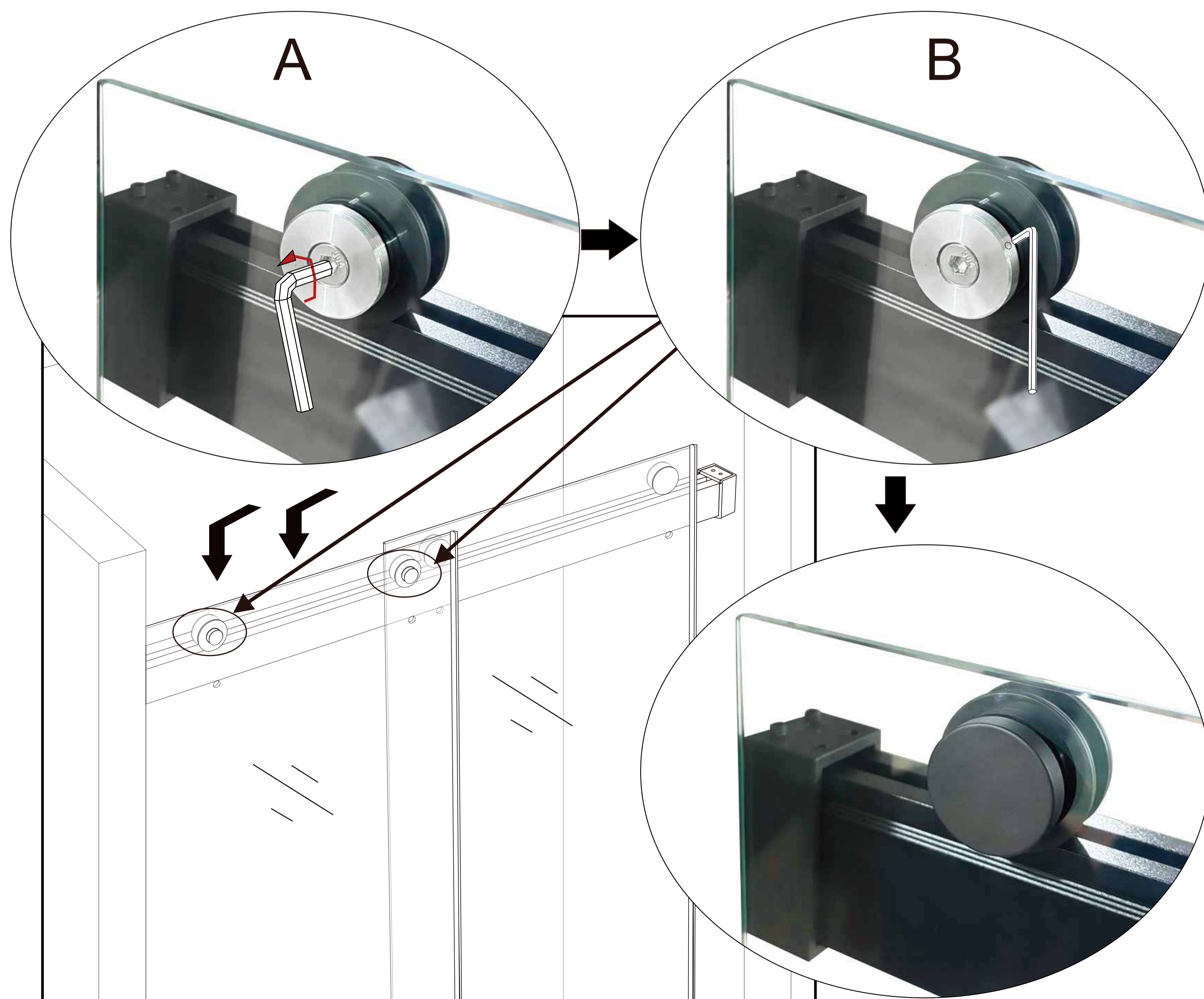
Then secure the Bottom Guide Block (#5) to the floor using the Screw M4x25 (#13).



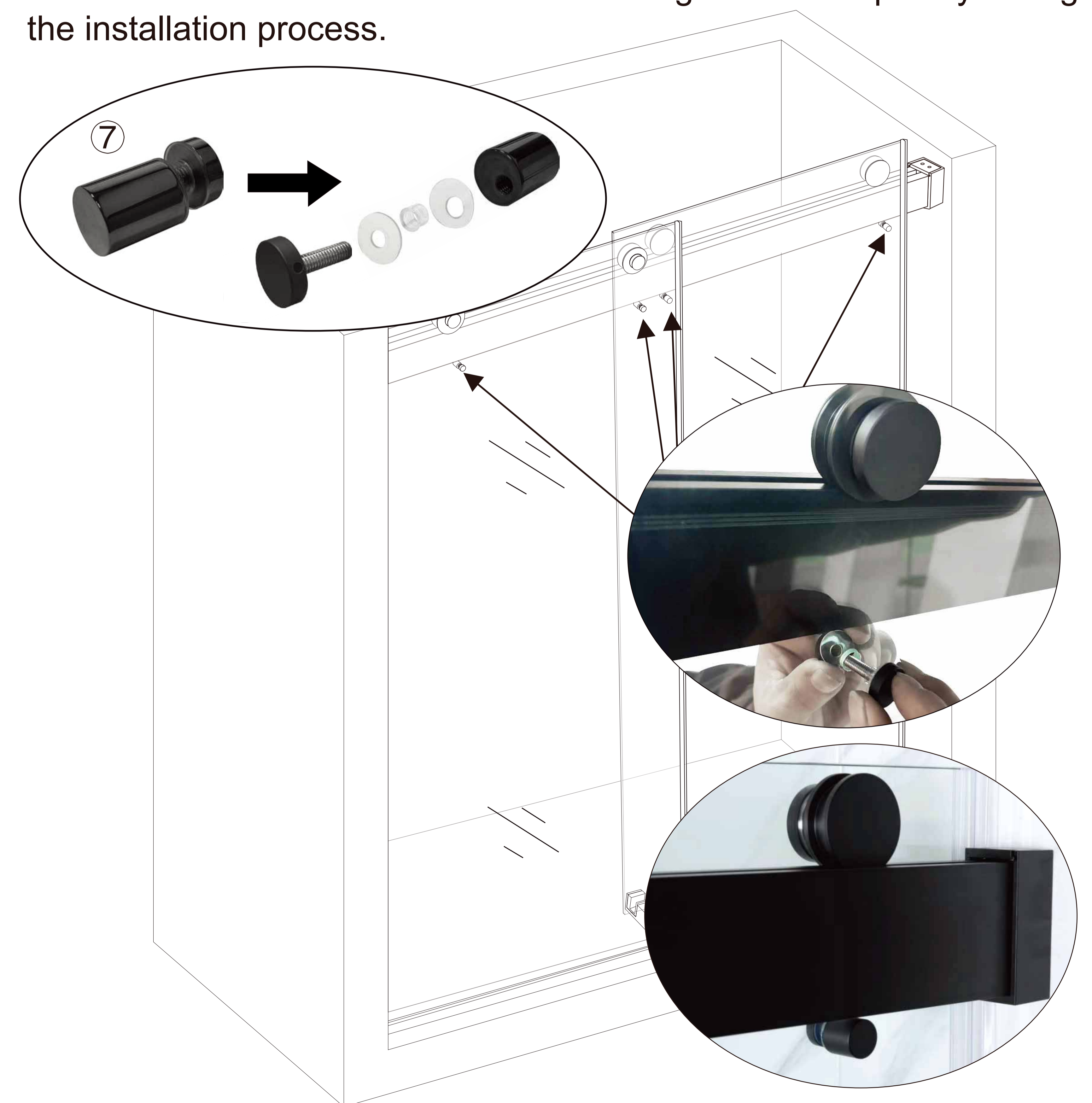
10. Re hang two pieces of Door Glass (#3) onto the Upper Guide Rail (#2) and then slide the bottom edge of the glass door into the groove of the Bottom Guide Block (#5). Make sure that the roller is rolling against the track of the Upper Guide Rail (#2).

When hanging, please note that the outer glass should be hung from the outside of the guide rail, and the inner glass should be hung from the inside of the guide rail. Ensure that the Roller is correctly hung on the track and can slide smoothly.

11. If the outer glass is relatively high from the ground, causing gaps and water leakage, you can lower the glass in the following way:
 As shown in Figure A, first remove the cover of the Roller (#6). Use a large Allen Wrench (#17) to slightly loosen the screw on the back of the Roller (#6). Do not loosen it too much, just loosen it slightly, otherwise it will cause the Roller (#6) to be disassembled.
 Then, insert a small Allen Wrench (#17) into the hole on the side of Roller (#6) to rotate the Roller (#6) half a turn, as shown in Figure B, to adjust the height of the glass.
 If adjusting half a turn causes the glass to move upward, continue adjusting in the same direction by half a turn until the height of the glass is at the minimum distance of 2/5 inches (1 cm) above the ground.

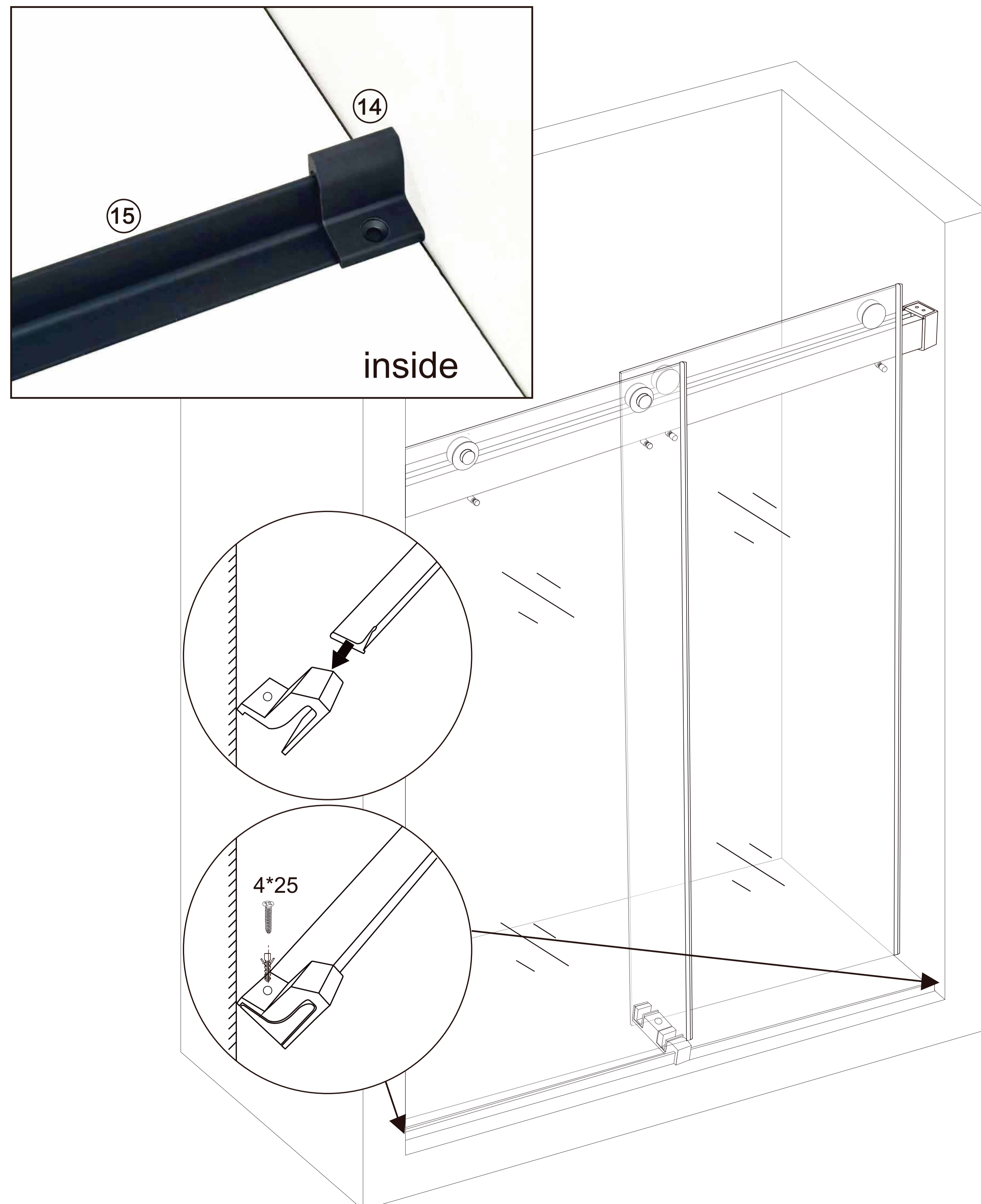


12. Install the Anti jumping knob (#7) to the Door Glass (#3).
 First, disassemble the Anti jumping knob (#7) as shown in the figure, and then install the disassembled Anti jumping knob (#7) onto the glass through the hole on the glass. Make sure that the clear gasket will be between the glass and the metal parts of the Anti jumping knob (#7).
 When installing, please pay attention to placing the longer side on the same side as the roller (#6) with track.
 The distance between the Anti jumping knob (#7) and the Upper Guide Rail (#2) should be less than 0.4 in to prevent the glass from falling off.
 Please make sure that all the screws are tightened completely during the installation process.



13. Use M4x25 Screw (#13) to fix the Positioning Block (#14) at both ends of the Anti-Splash Threshold (#15).

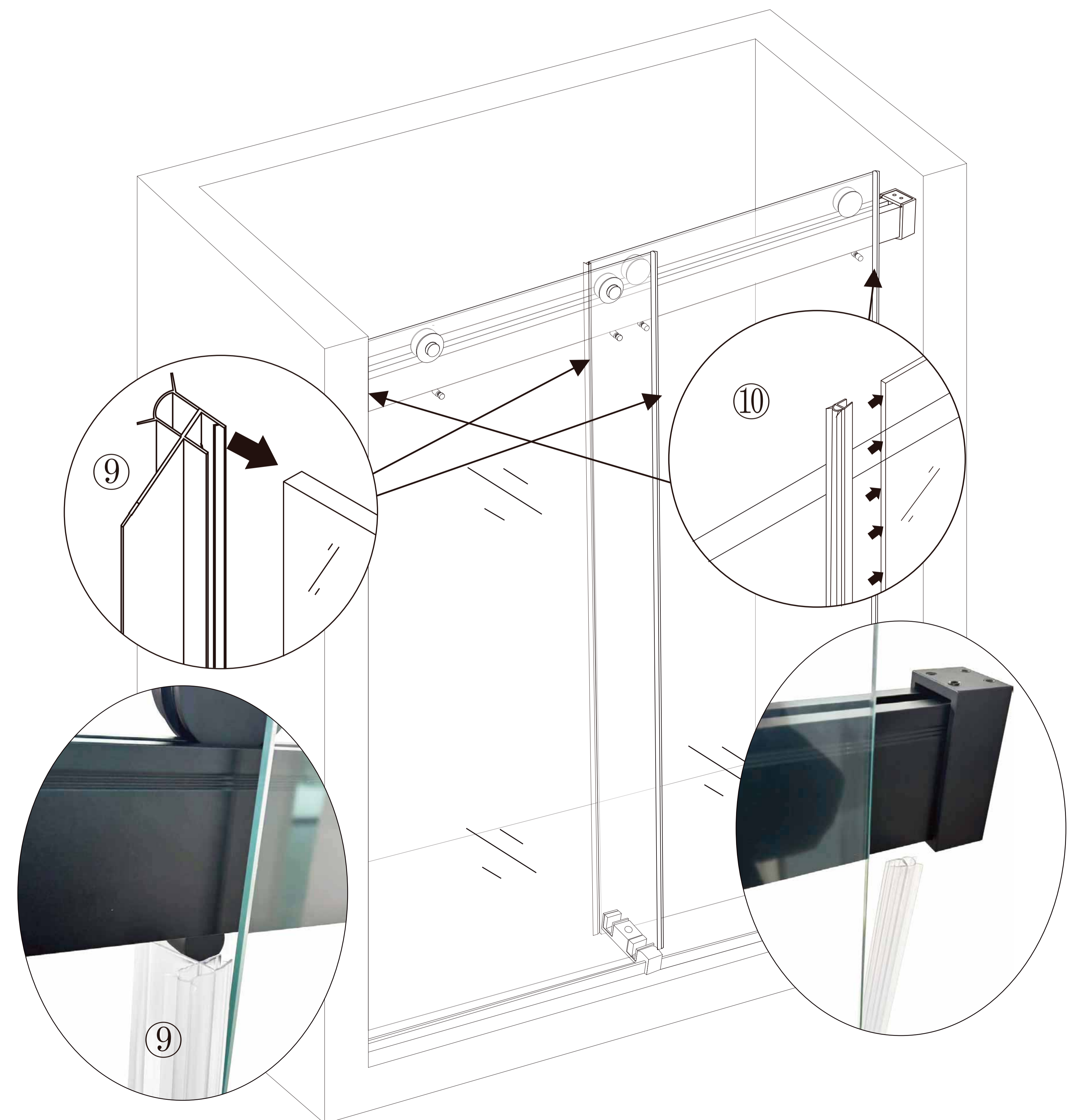
Need to drill holes on floor with a \varnothing 1/8" drill bit (#18) first, apply silicone to the hole, then insert the wall anchor, then screw in M4x25 (#13) screws



14. Install the Water retaining strip (#9) and (#10) to the two Door Glass (#3).
PLEASE NOTE: The shower door is equipped with two types of Water Retaining Strips 9 and 10.

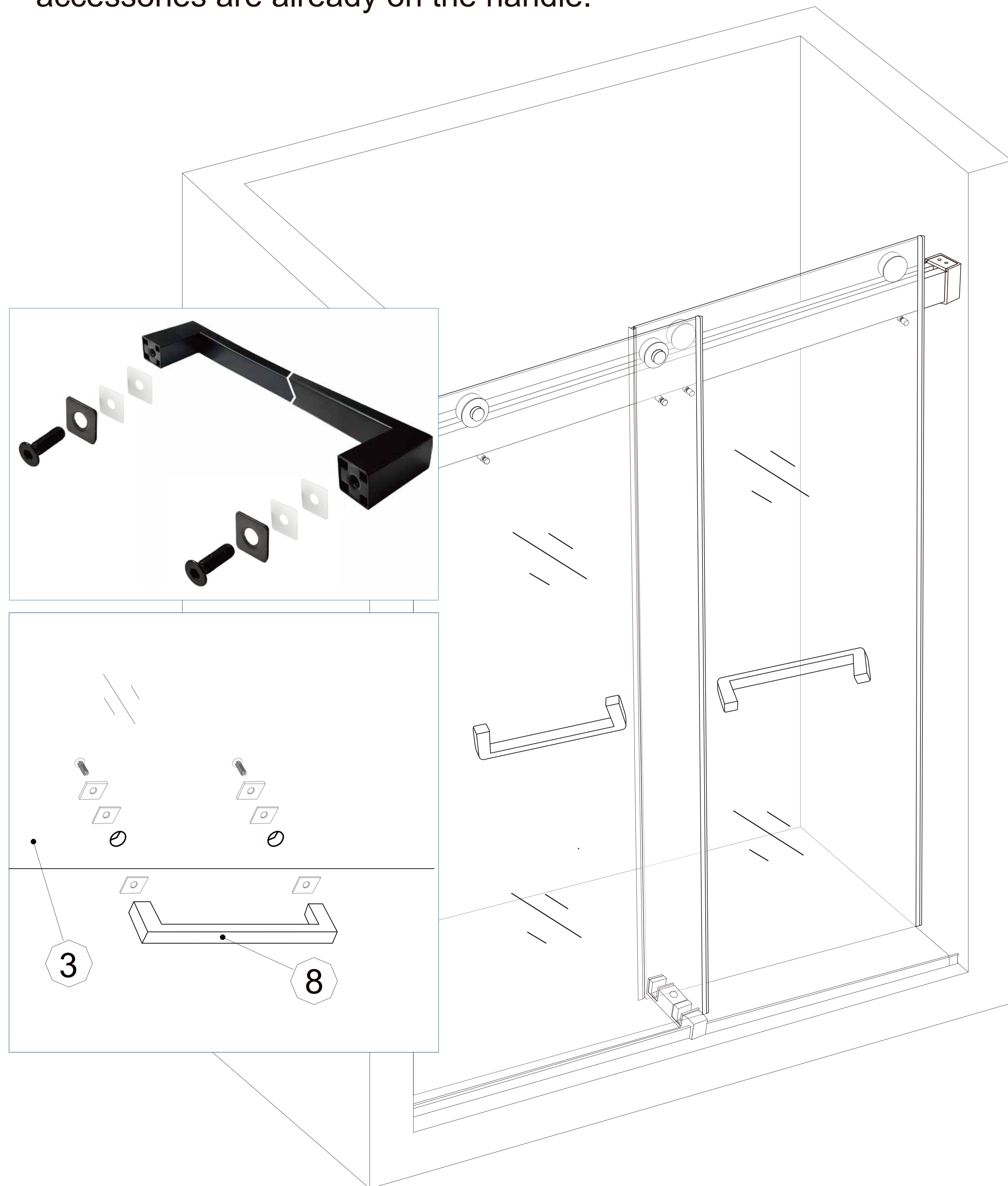
9: With side edge, installed on the overlapping edges between two panes of glass, with side to block the gap between two pieces of glass, need to be cut to accommodate sliding.

10: Without side, installed on both sides of the shower door, anti-leakage and anti-collision.



DELAVIN

15. Assemble the Door Handle (#8) on the Door Glass (#3) as shown. When installing the handle, you need to first loosen and remove the screws of the handle, and then install the handle along the two holes on the glass. Please refer to the diagram for details. All the necessary accessories are already on the handle.



DELAVIN

16. Apply silicone sealant on the seams between the anti-splash Threshold (#15) and the shower floor. **MUST ALLOW SILICONE TO DRY FOR 24 HOURS BEFORE STARTING USING THE SHOWER**

