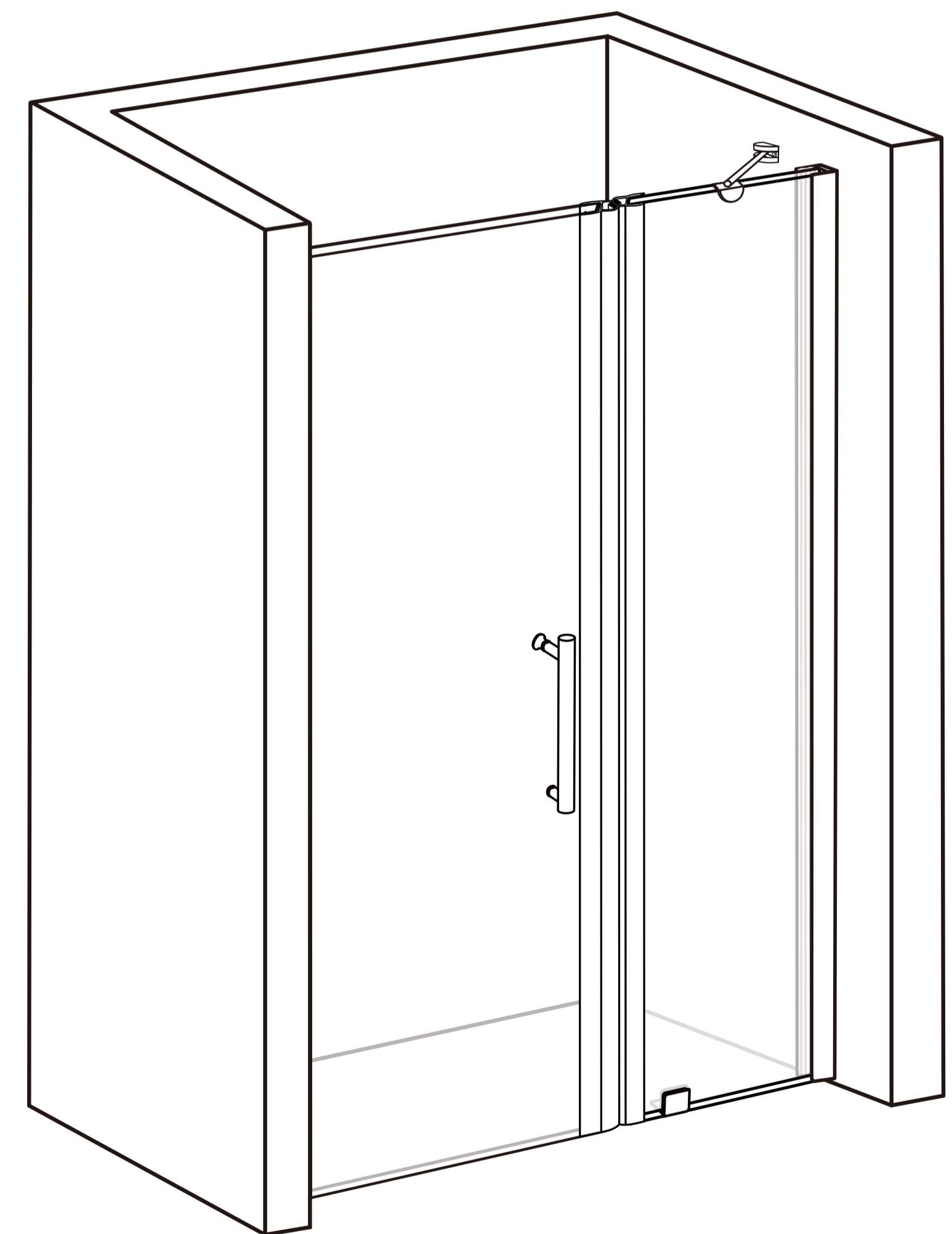


INSTALLATION INSTRUCTIONS

SHOWER DOOR

DELAVIN

DK101



E-MAIL: service@delavinhome.com



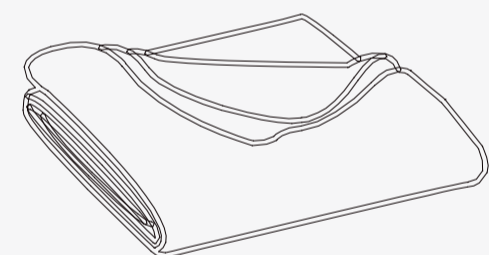
Please read all instructions carefully before installation.



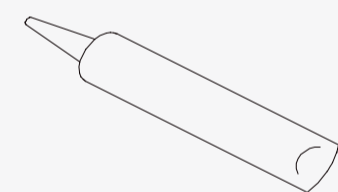
Due to the complexity of the installation process, professional personnel are recommended.

Tools Required

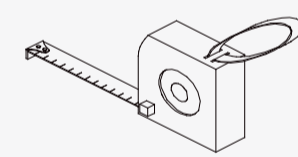
Other tools may be required



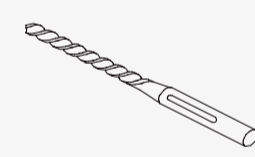
Soft Cloth or Blanket



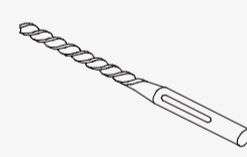
Caulk



Tape Measure



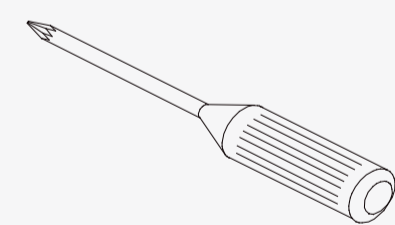
Drill Bit
(Ø = 1/4")



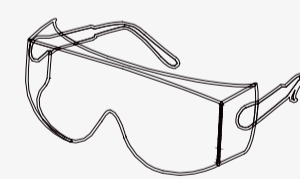
Drill Bit
(Ø = 5/16")



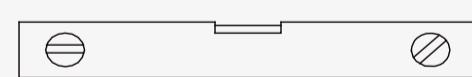
Pencil



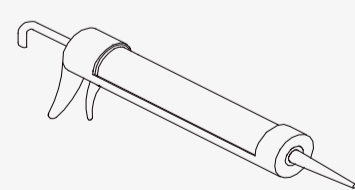
Phillips Screwdriver



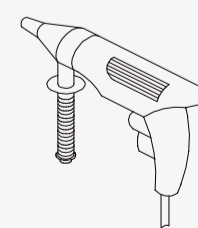
Safety Glass



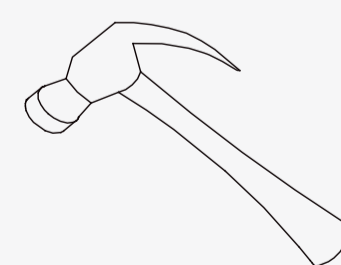
Level



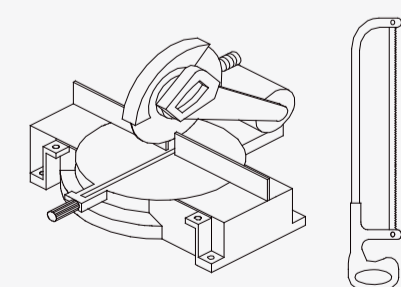
Caulk Gun



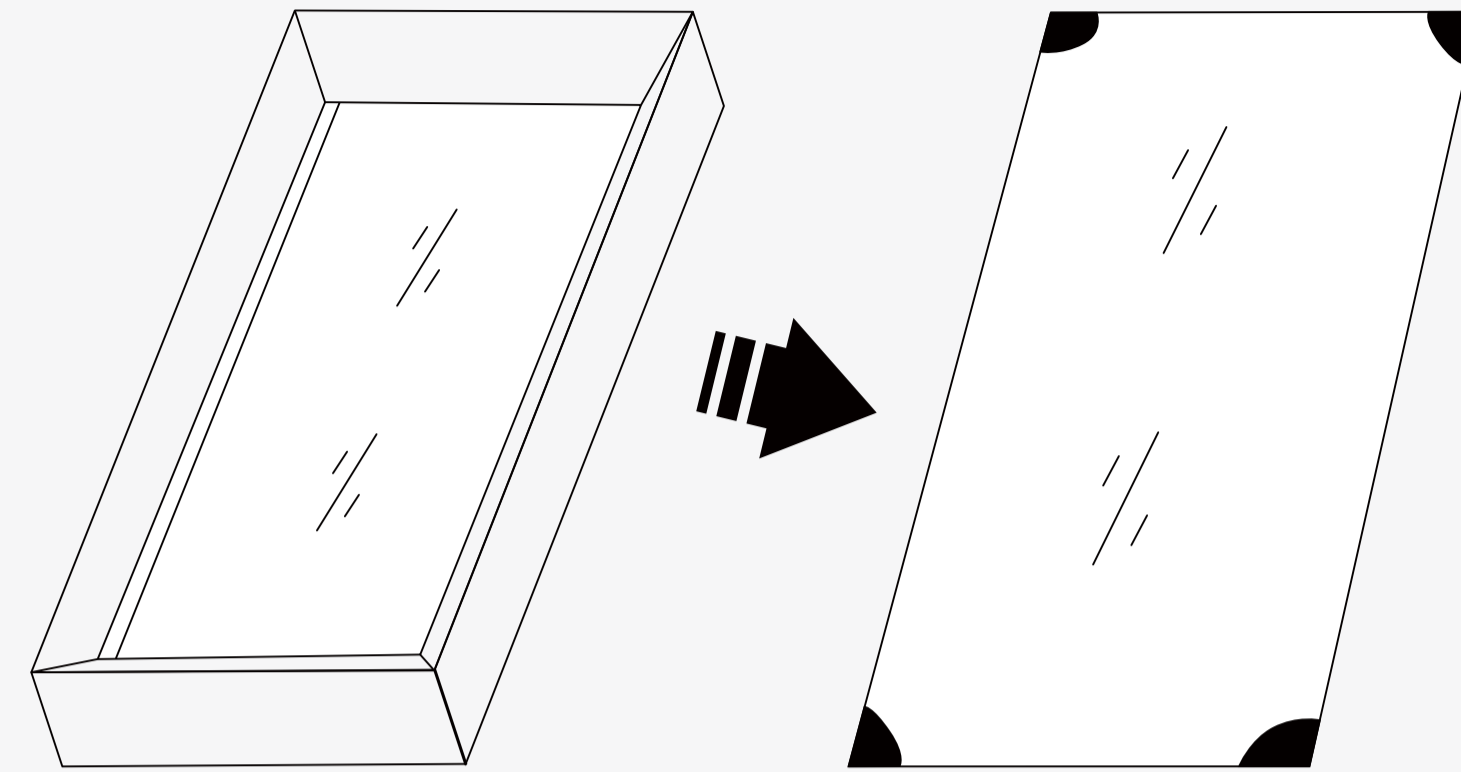
Drill



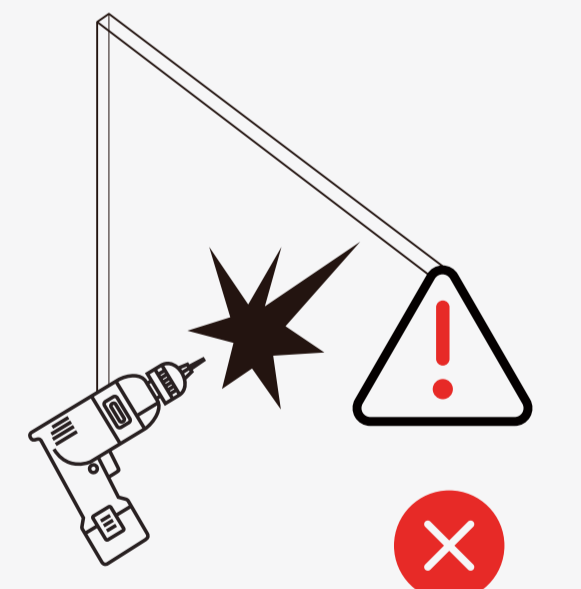
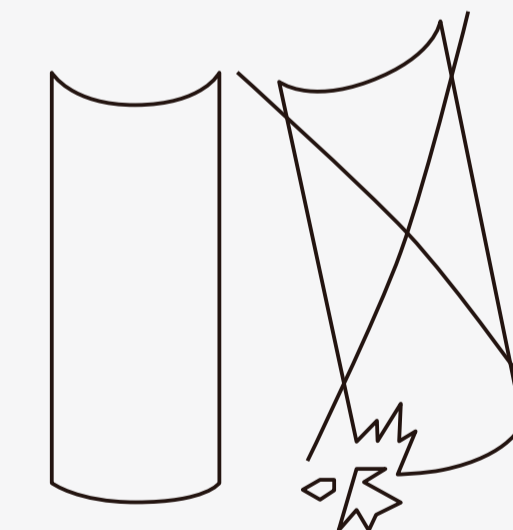
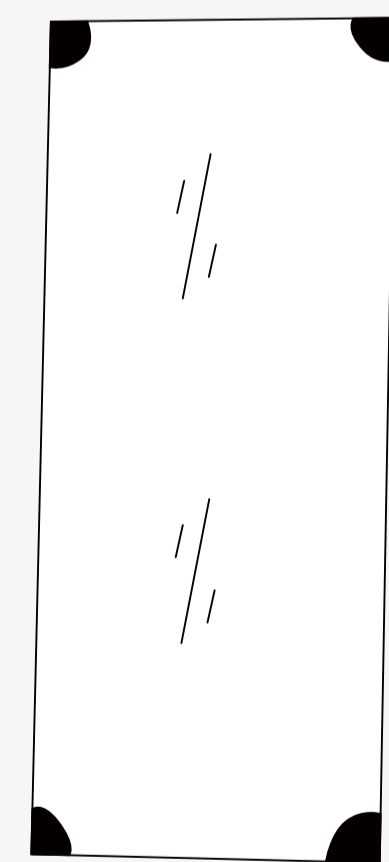
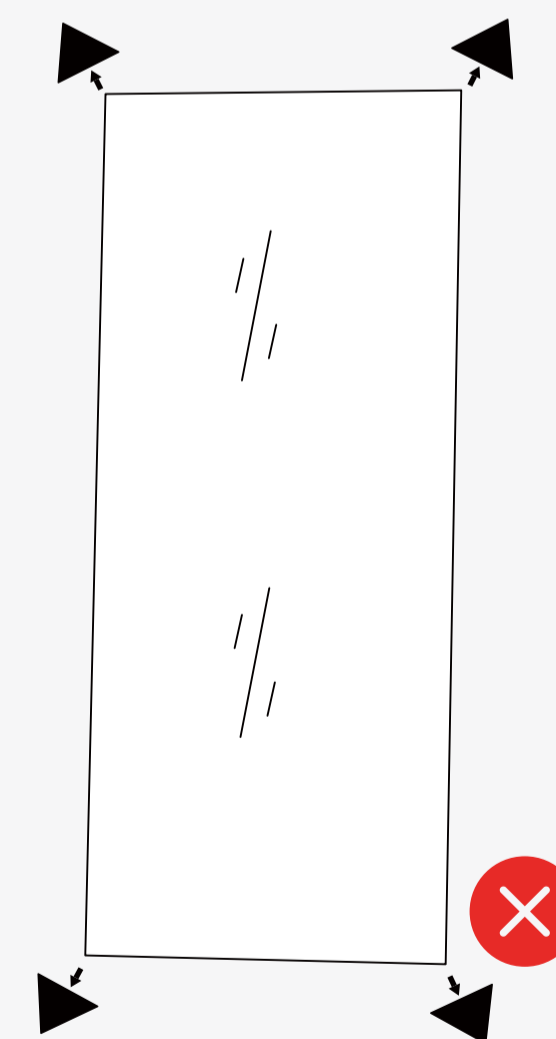
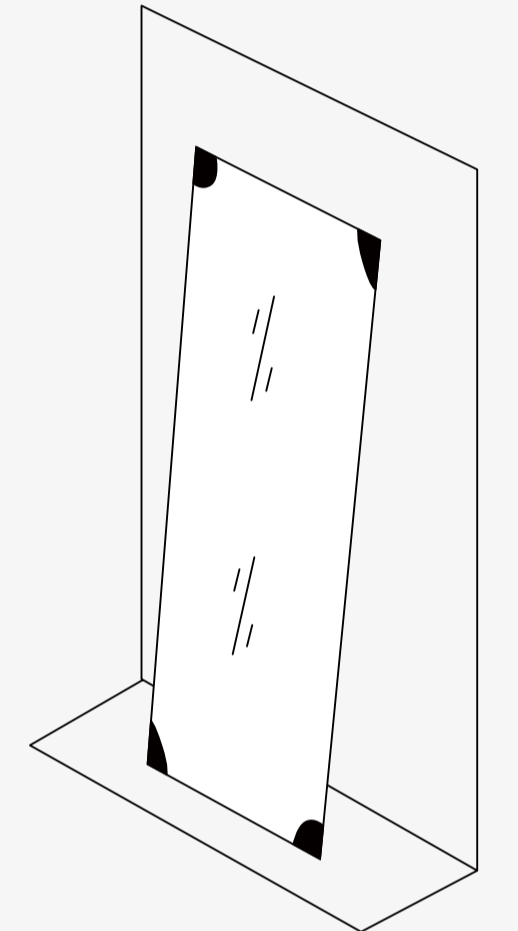
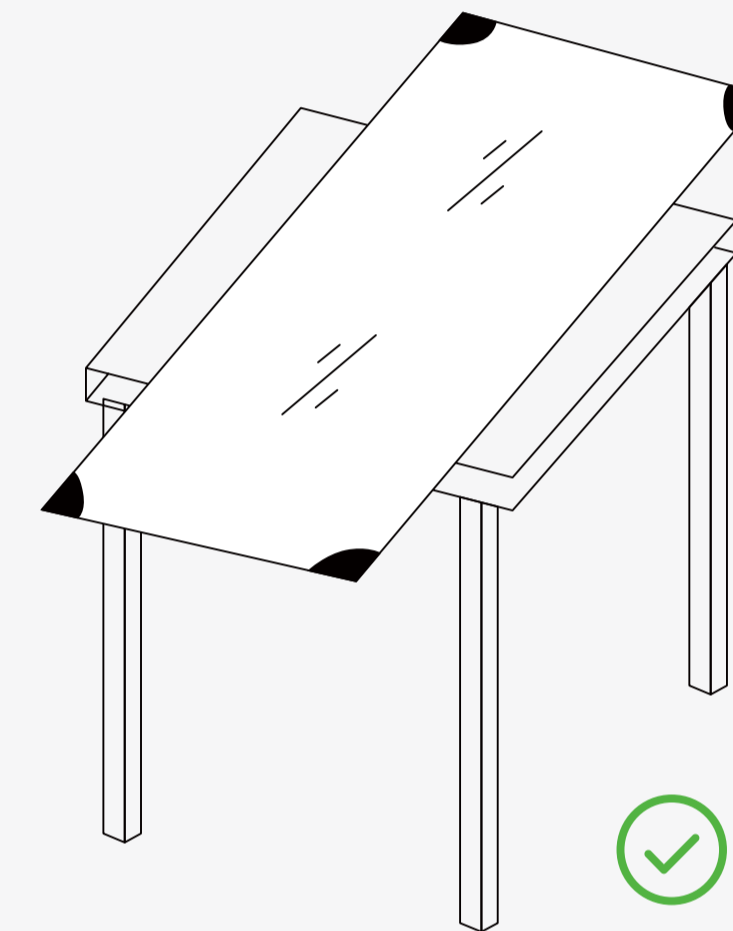
Hammer



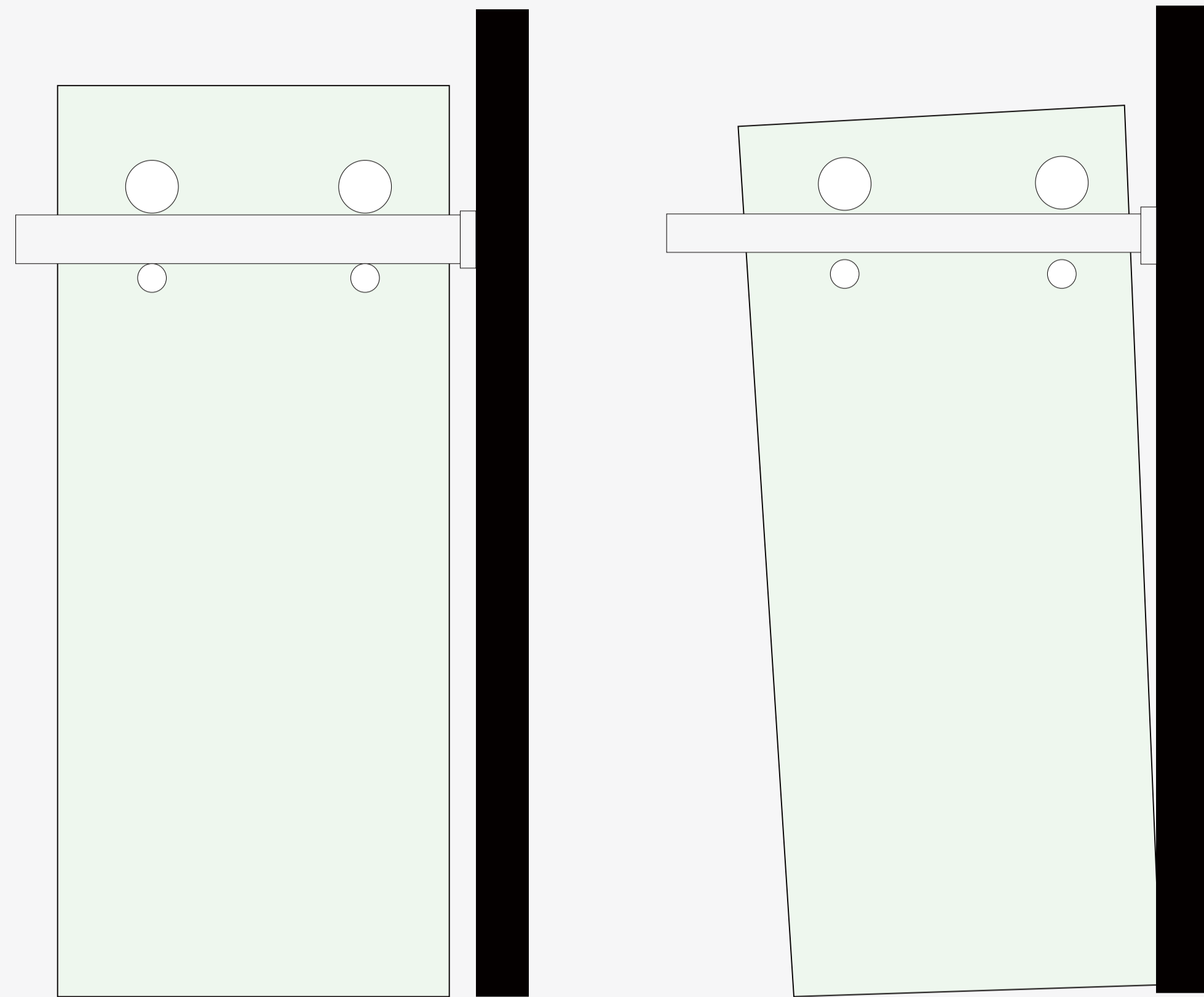
Mitter Saw or Hacksaw



Be careful when moving the glass and properly place the glass.

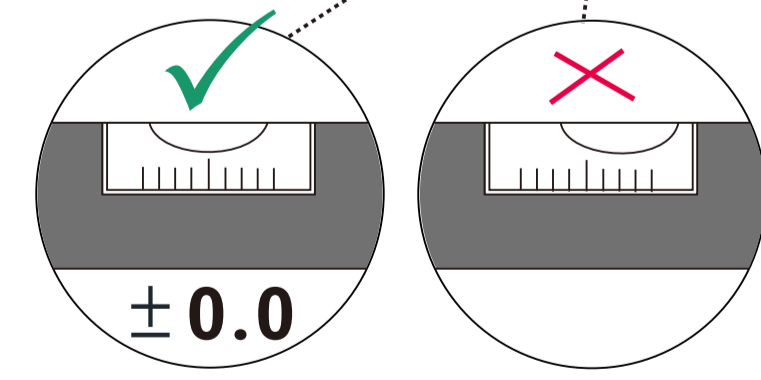
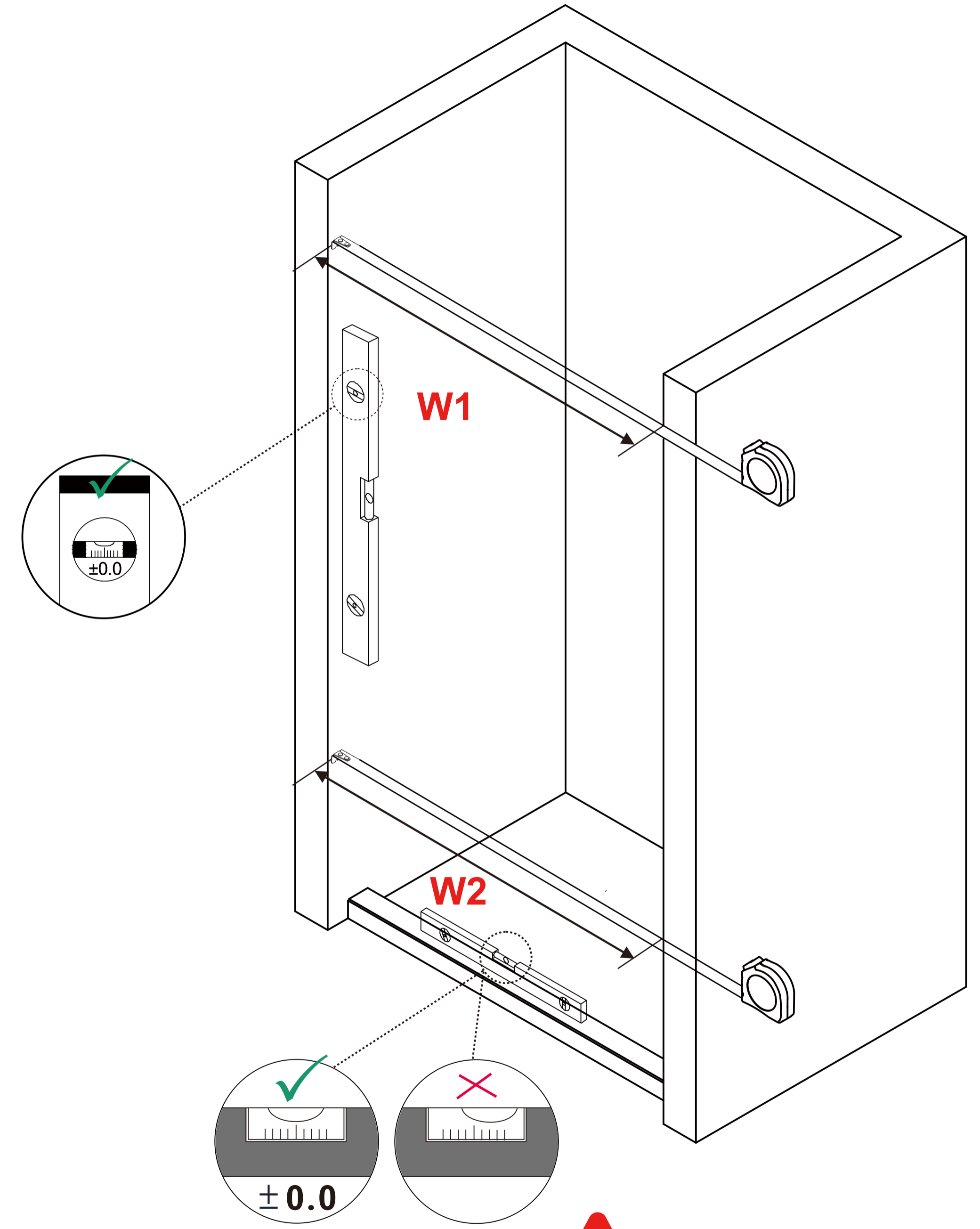


Do not remove the corner guard in advance.
Do not let the corners of the glass collide with a hard surface.
Do not drill glass with a drill bit.



The glass needs to be ensured to be level and vertical.

! Make sure that the wall and the base are level.



W1=W2

! Measure the Width of W1 and W2 carefully, make sure the width of the upper and lower walls is consistent before installation.

IMPORTANT SAFTY INFORMATION



PLEASE READ WARNINGS

Improper use can cause safety hazards, or damage to your product and your home.

Warning	Do	Don't
Serious injury may occur.	<ul style="list-style-type: none"> Assemble following all instructions using all indicated parts and hardware provided. This product must be installed by an adult. Keep children and animals away While installing the product. Improperly assembling or positioning the product may be dangerous. 	<ul style="list-style-type: none"> Do not move unit when loaded. Do not attempt to install it alone, as the product is relatively heavy and prone to damage and injury.

Get Ready to Assemble

For best results, keep these tips in mind:

- ① We know you want to finish this assemble as quick as possible, but trust us: you'll have a better experience if you take it one step at a time.
- ③ Give yourself some space to work near where you want to put this product

- ② We strongly recommend that this product be installed by a licensed and insured professional contractor, including the assistance of a second person during installation.
- ④ If your floor isn't carpeted, assemble this product on the empty carton to avoid scratching.

DO

- ✓ After unpacking, verify that all parts are included using the Shower Door Components Detail Sheet and check for shipping damage. If there are issues, contact customer support.
- ✓ Consult local building codes if you're unsure about installation compliance.
- ✓ Ensure the installation surface is level, solid, and can support the unit's weight, and that walls are at right angles.
- ✓ Protect all major surfaces of the product during installation.

DON'T

- ✗ Irregular mounting surface levels or improper angle of side walls will cause serious problems during installation.
- ✗ Never place glasses directly on tile floors. Leave the corner protector in place until it needs to be removed.
- ✗ Do not attempt to use this product before all steps have been completed.
- ✗ Do not install the product directly, please make sure that all accessories are included and there is no damage.

Consumer Service

If necessary, to quickly free replace damaged/missing parts. Simply have your order ID, instruction manual, and part number/description ready when you write an email to us. It's that easy.

Contact us

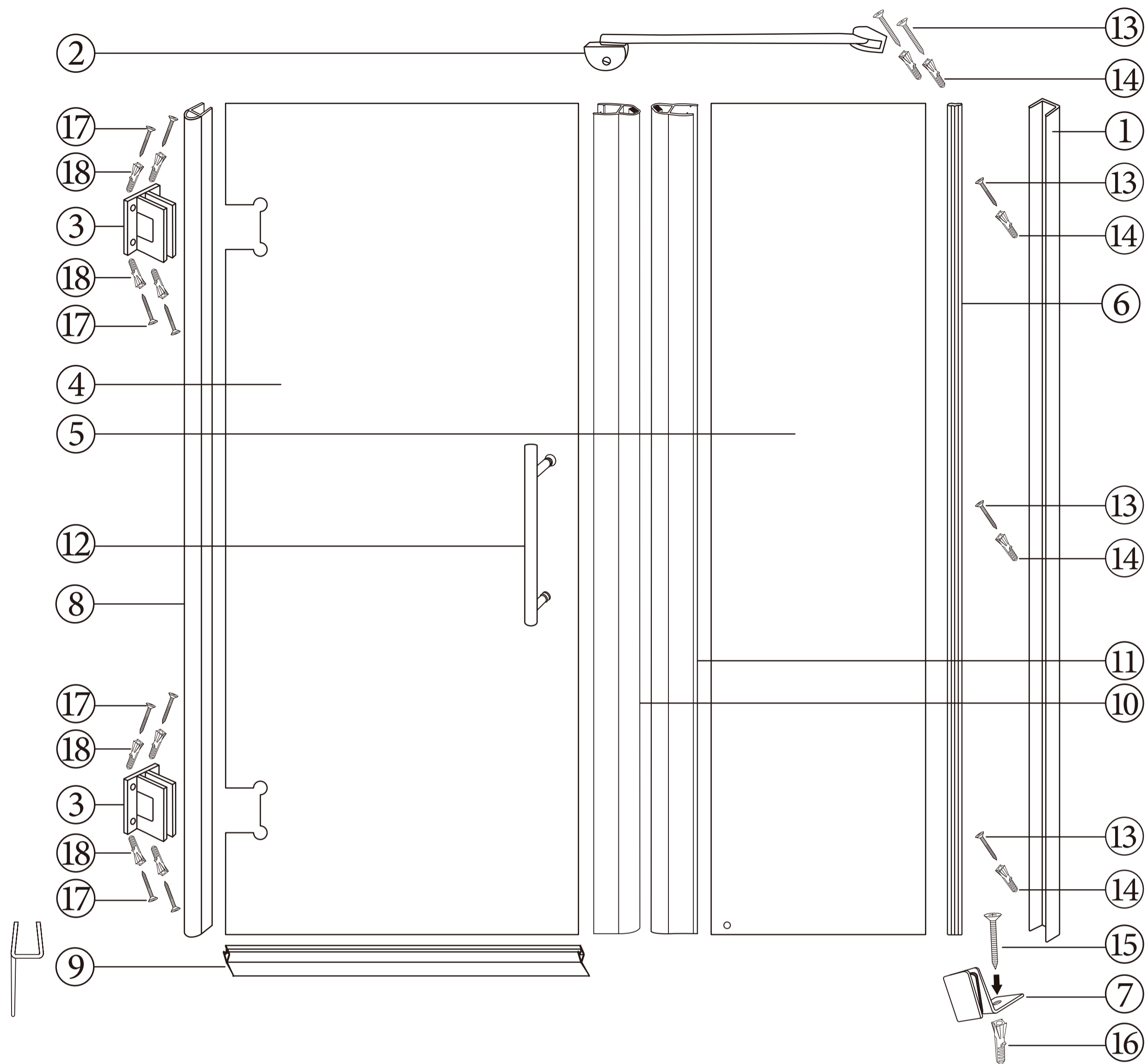
Monday to Sunday (Except holidays)

We will respond within 24 hours.

E-MAIL:
service@delavinhome.com

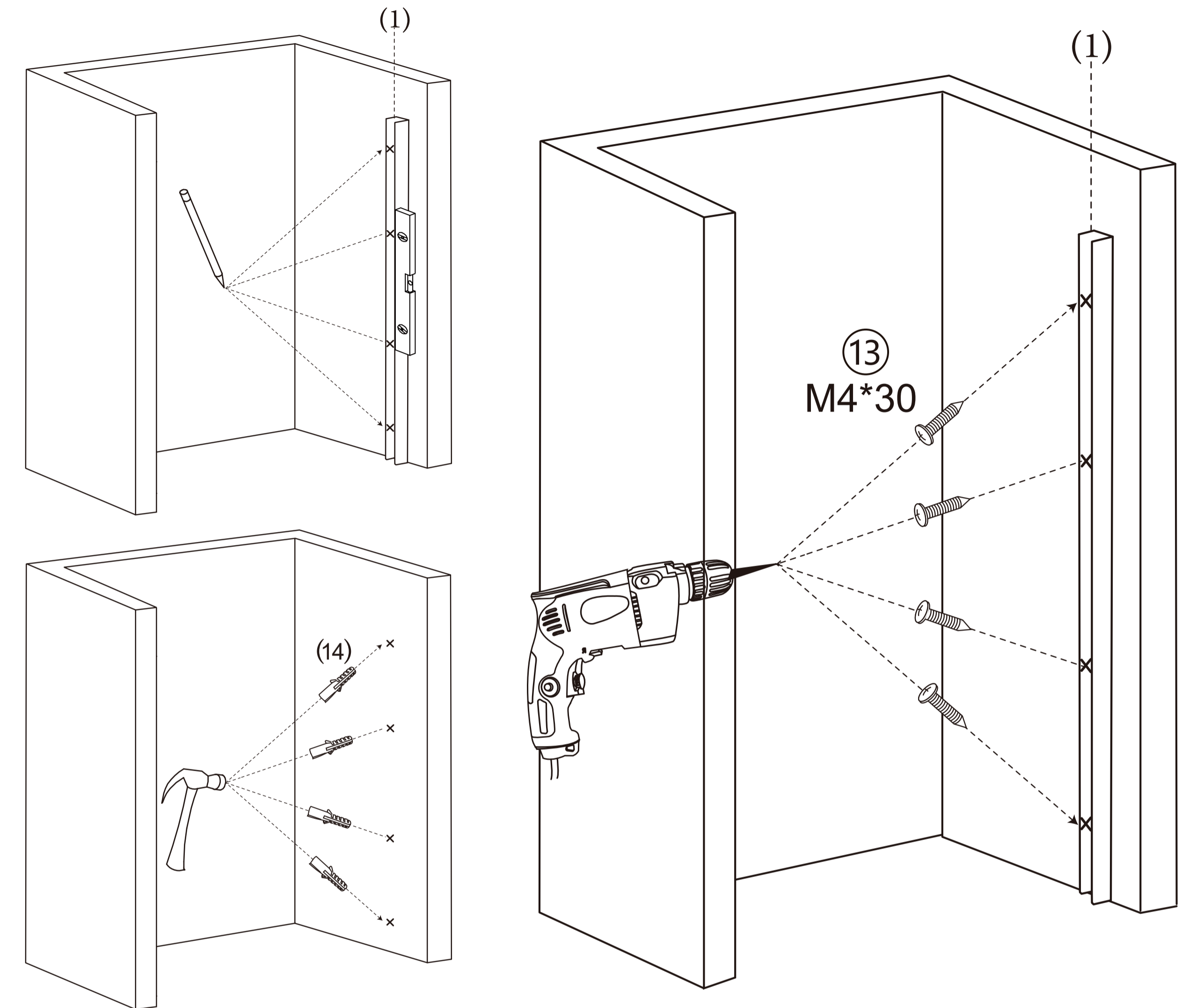
Parts List

 <p>1 Wall Frame x1</p>	 <p>2 Support rod x1</p>	 <p>3 Hinge x2</p>	 <p>4 Glass Door x1</p>
 <p>5 Stationary Glass x1</p>	 <p>6 Strap x1</p>	 <p>7 L Wall Cover x1</p>	 <p>8 Side Anti-Water Strip x1</p>
 <p>9 Bottom Anti-Water Strip x1</p>	 <p>10 Glass Door Magnetic Strip x1</p>	 <p>11 Stationary Glass Magnetic Strip x1</p>	 <p>12 Handle x1</p>
 <p>13 Screw M4X30 x5</p>	 <p>14 Wall Anchor A x5</p>	 <p>15 Screw M4.8X3.2 x1</p>	 <p>16 Wall Anchor B x1</p>
 <p>17 Screw ST5X4 x8</p>	 <p>18 Wall Anchor C x8</p>		

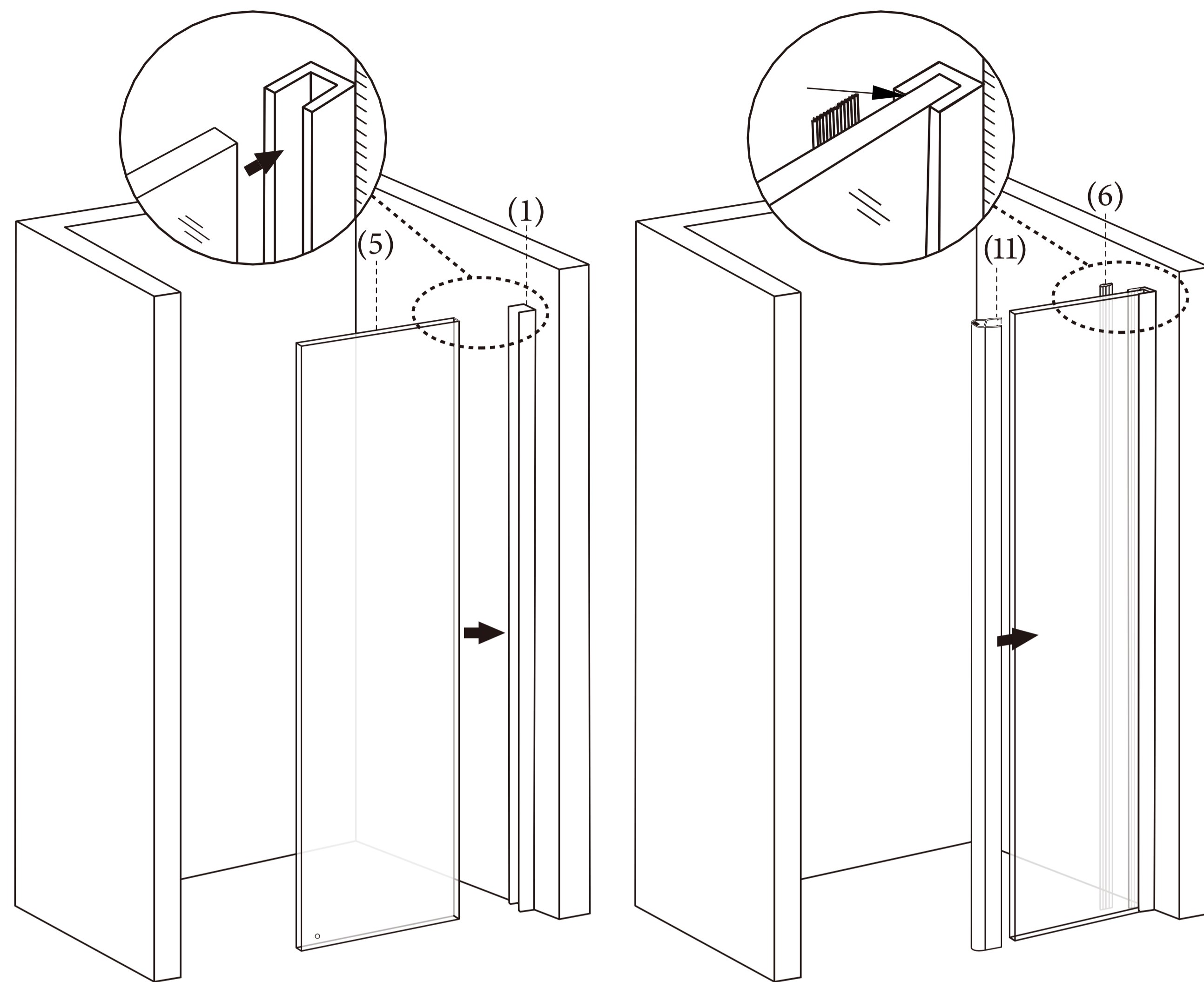


No.	Description	QTY	No.	Description	QTY
1	Wall Frame	1 pc	11	Stationary Glass Magnetic Strip	1 pc
2	Support rod	1 pc	12	Handle	1 pc
3	Hinge	2 pcs	13	Screw M4X30	5 pcs
4	Glass Door	1 pc	14	Wall Anchor A	5 pcs
5	Stationary Glass	1 pc	15	Screw M4.8X3.2	1 pc
6	Strap	1 pc	16	Wall Anchor B	1 pc
7	L Wall Cover	1 pc	17	Screw ST5X4	8 pcs
8	Side Anti-Water Strip	1 pc	18	Wall Anchor C	8 pcs
9	Bottom Anti-Water Strip	1 pc			
10	Glass Door Magnetic Strip	1 pc			

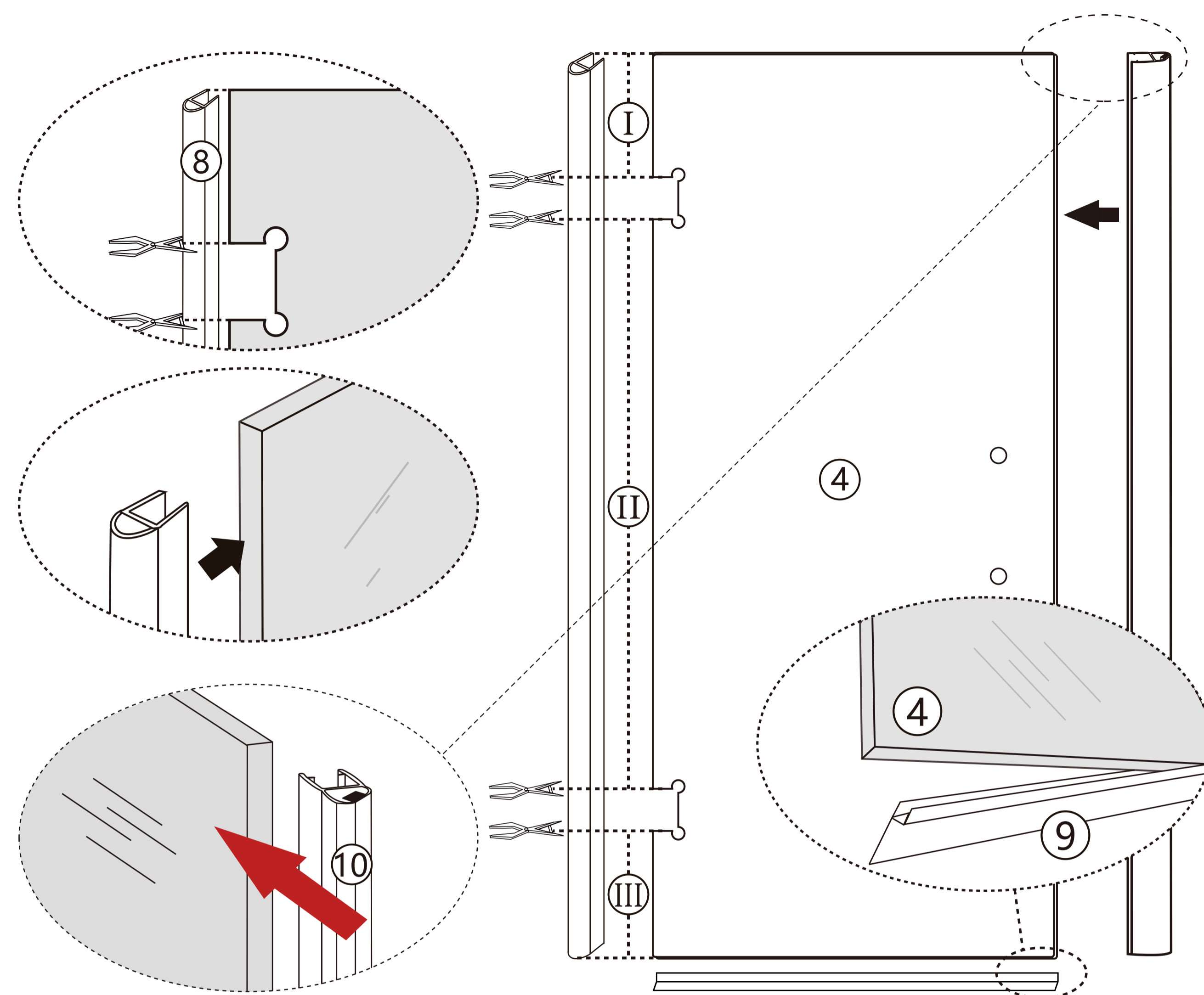
TEAR OFF THE GLASS PROTECTIVE FILM BEFORE INSTALLATION



1. Place the Wall Frame (1) at the installation position. After ensuring it is perpendicular to the ground and placed horizontally relative to the wall, mark the drilling positions on the wall using the holes on the Wall Frame (1). Then remove the Wall Frame (1), drill the holes on the wall at the marked places, drive the Wall Anchor A (14) into the holes, put the Wall Frame (1) back and then fix the Wall Frame (1) on the wall with 4*30 screws (13). This step uses an Ø 1/4" drill bit to drill holes in the wall.



2. Insert the Stationary Glass (5) into the wall frame (1), then insert Strap (6) between Stationary Glass (5) and wall frame (1) to ensure that the glass will not shake. Then install Stationary Glass Magnetic Strip (11) to the Stationary Glass (5) side as shown in the figure.

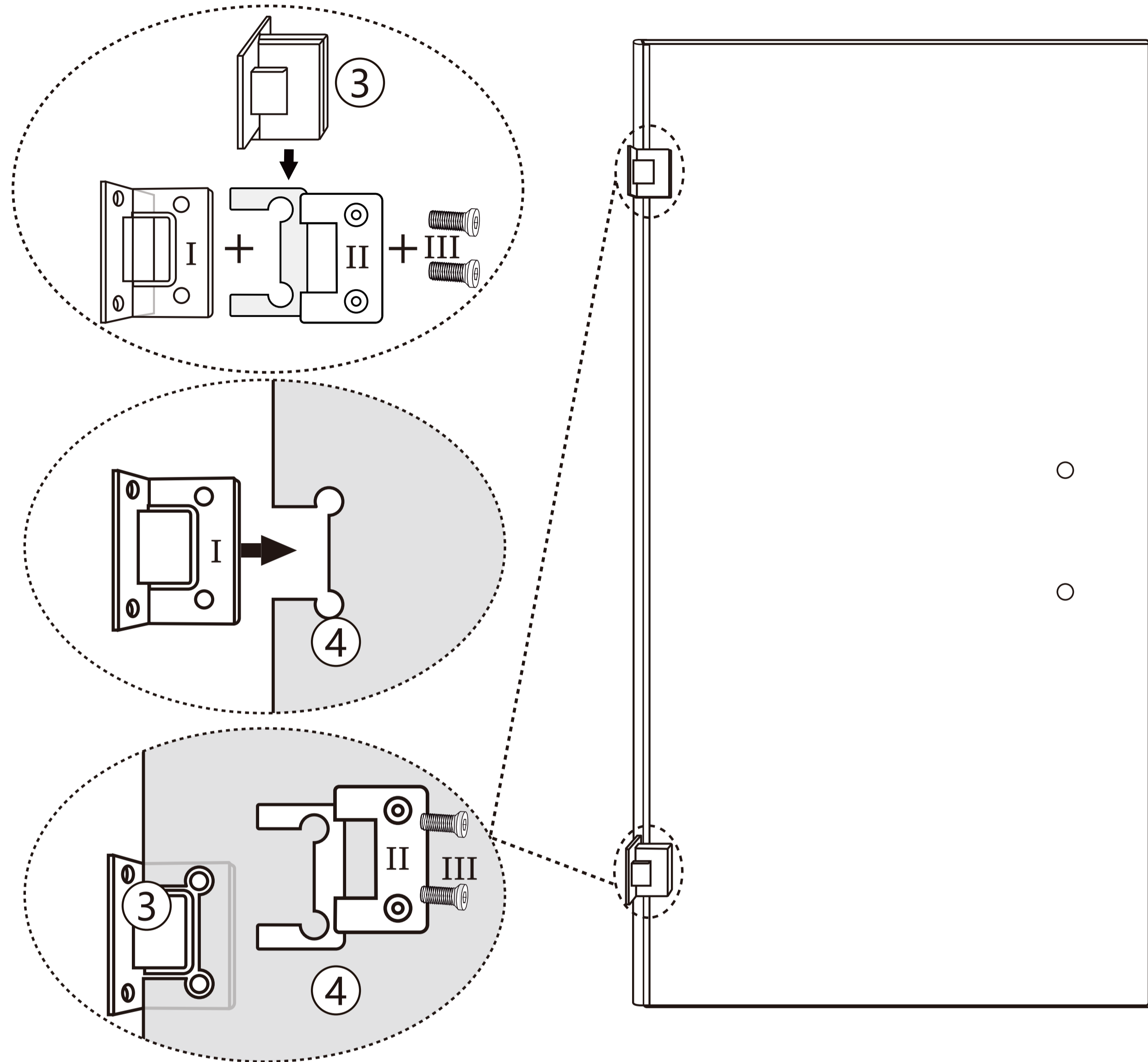


3. ① As shown in the figure, cut the Side Anti Water Strip (8) into three sections according to the length of the two gaps between the glass, leaving the position of the glass gap for later installation of the Hinge (3).

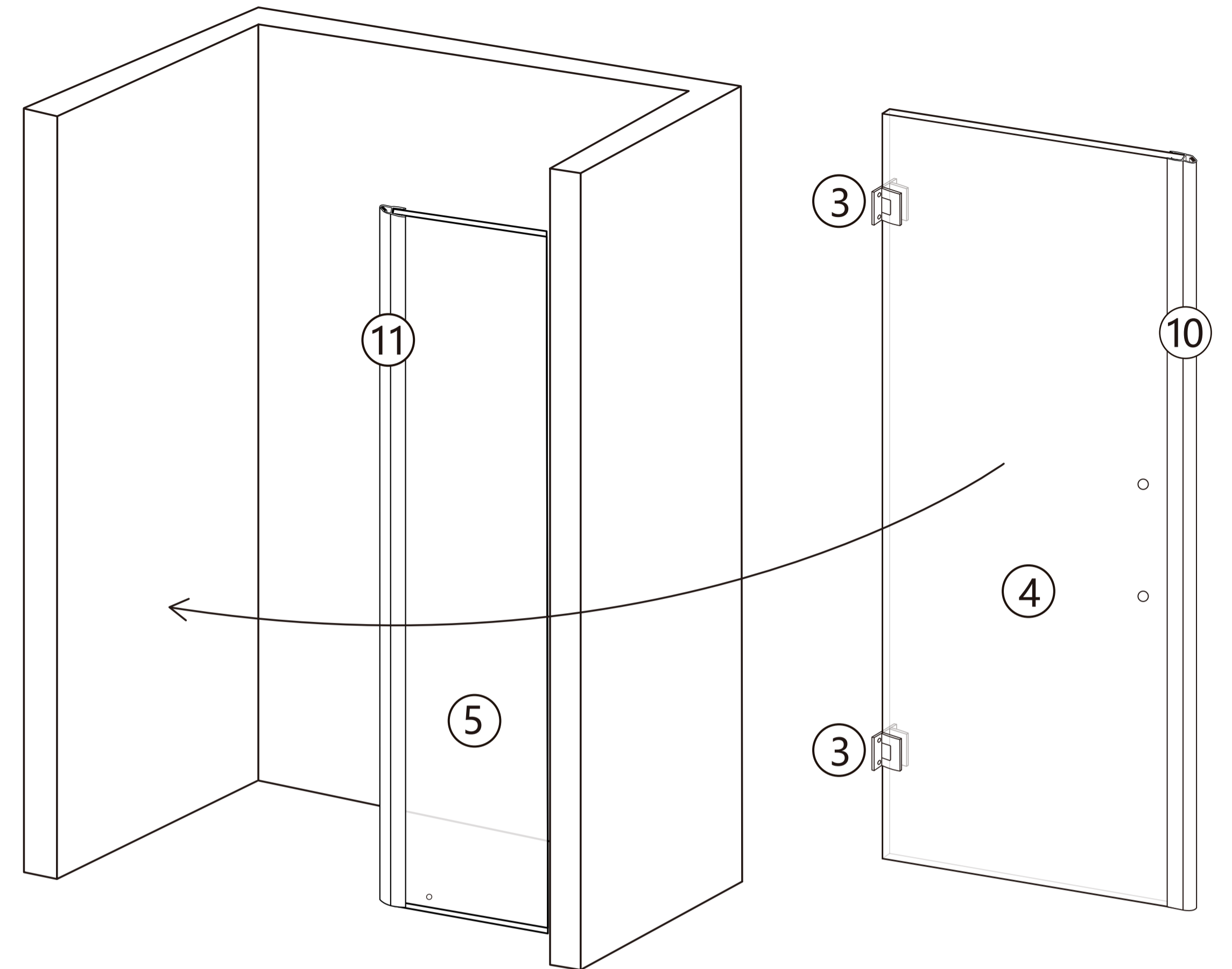
Note: I-III section of the Side Anti-Water Strip (8) can be cut a little shorter according to the actual situation in order to facilitate the flexible use of hinges!

② First install the three section of Side Anti Water Strip (8) on the Glass Door (4), then install the Glass Door Magnetic Strip (10) on the right side of the Glass Door (4).

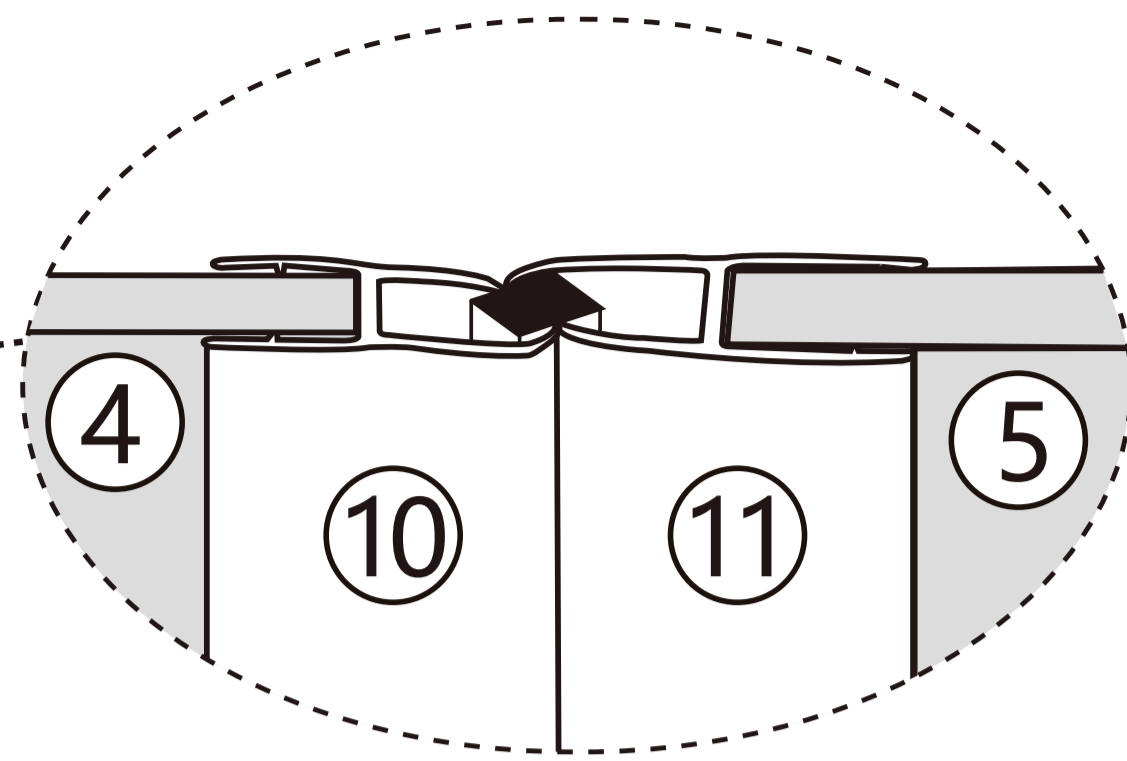
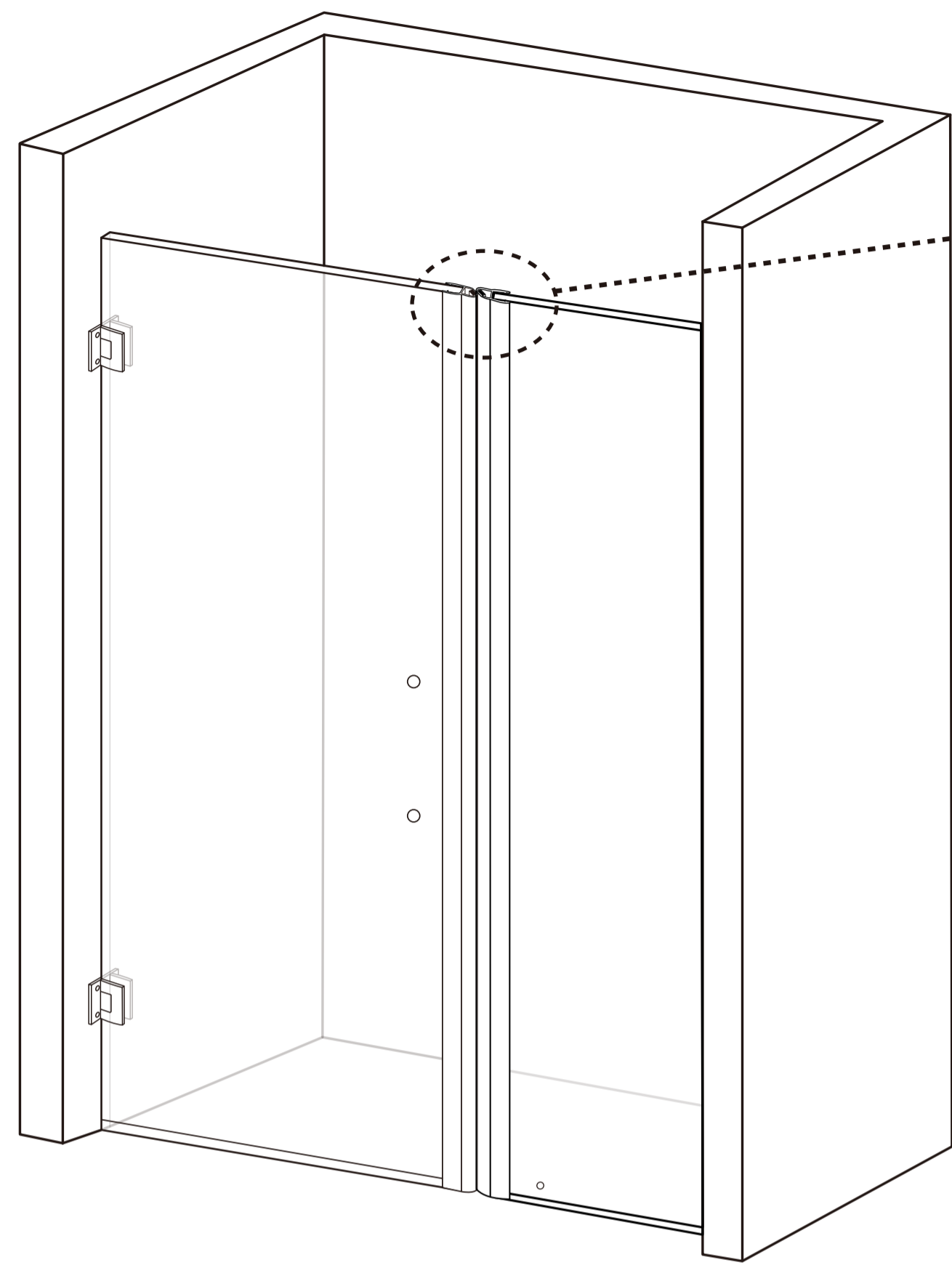
③ Install the Bottom Anti-Water Strip (9) at the bottom of the Glass Door (4).



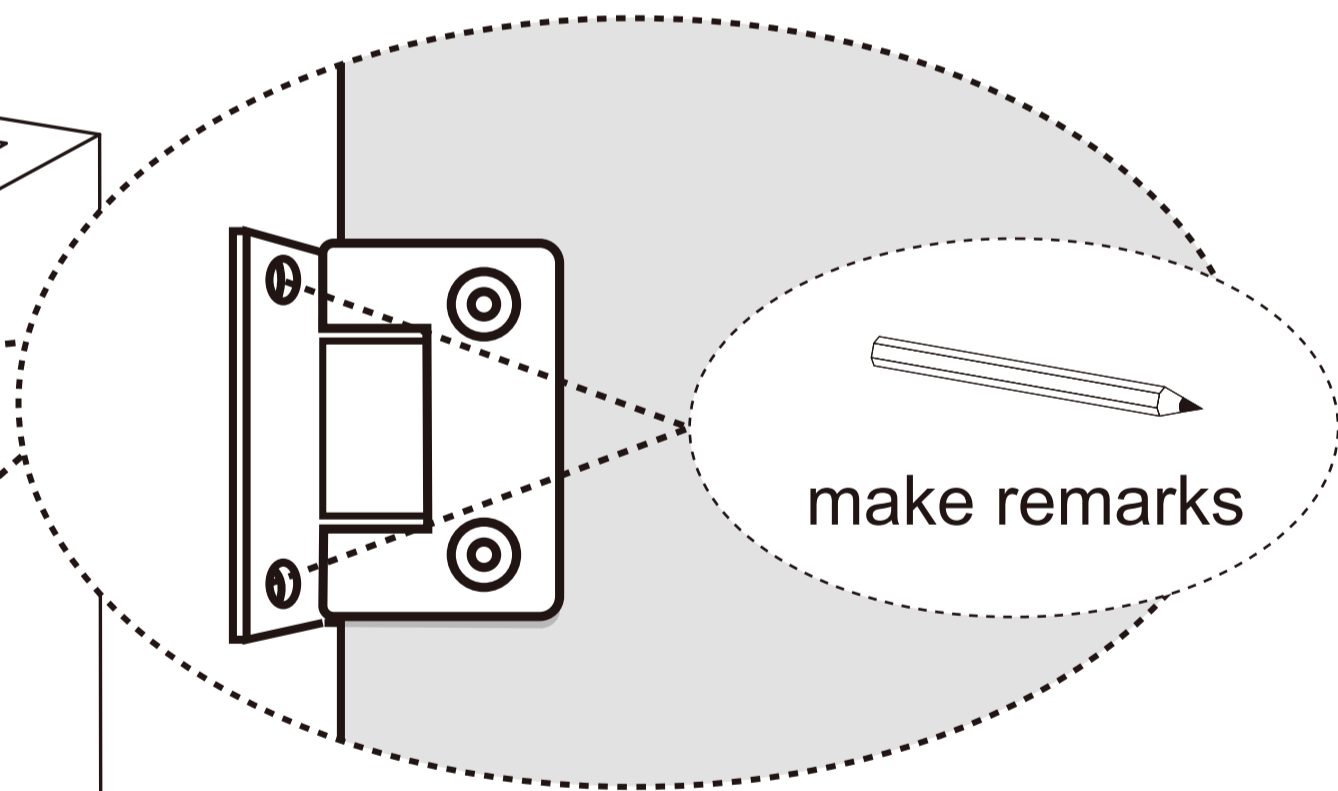
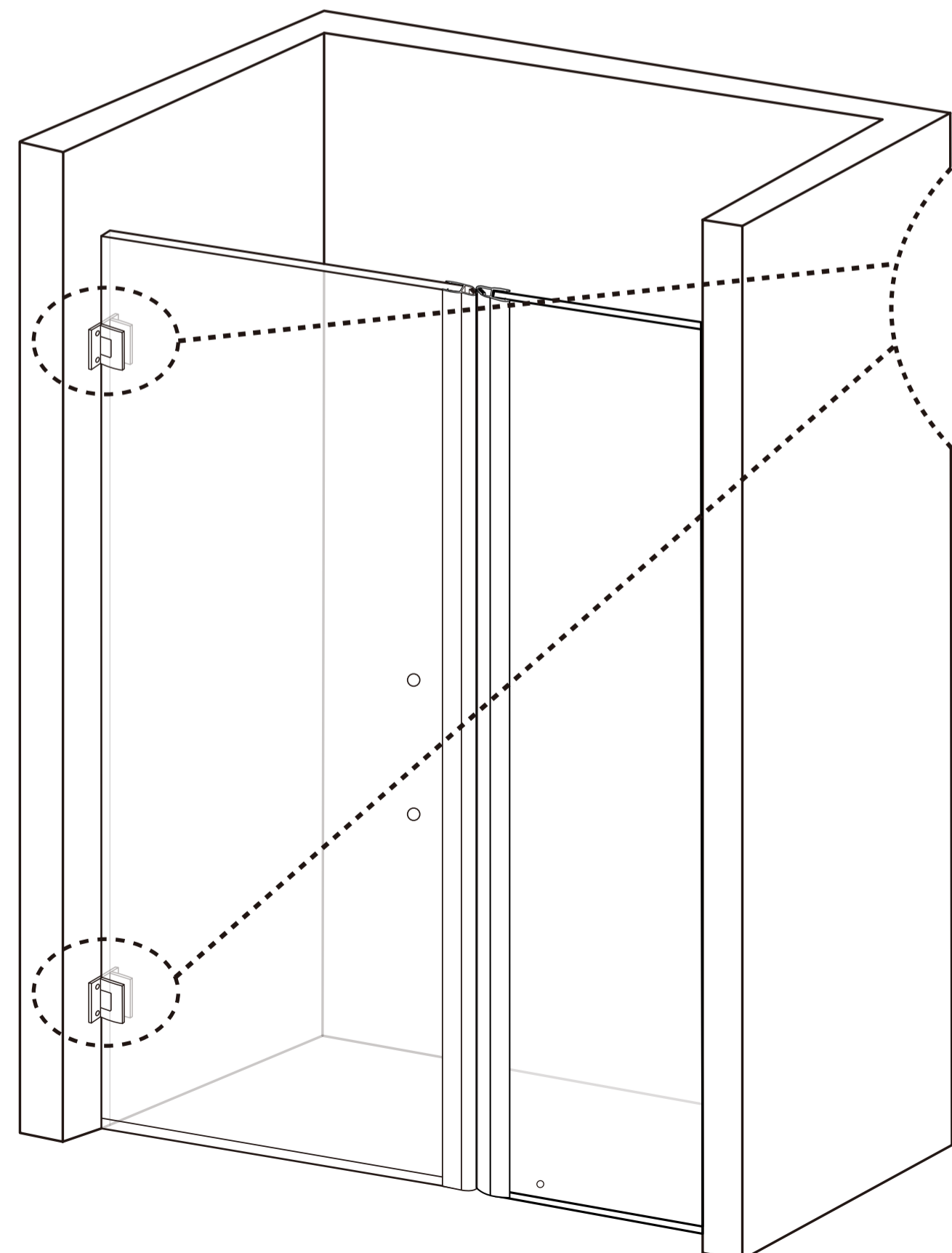
4. As shown in the figure, first disassemble Hinge (3) into three parts: part I, which is installed under the Glass Door (4); part II, which is a gasket and metal sheet; and part III, which is the screw part. Then place part I under the Glass Door (4) and perfectly align it with the Glass Door (4) notch, place part II on other side of the Glass Door (4) notch, so that Hinge (3) clips the Glass Door (4), and finally tighten the screws of part III.



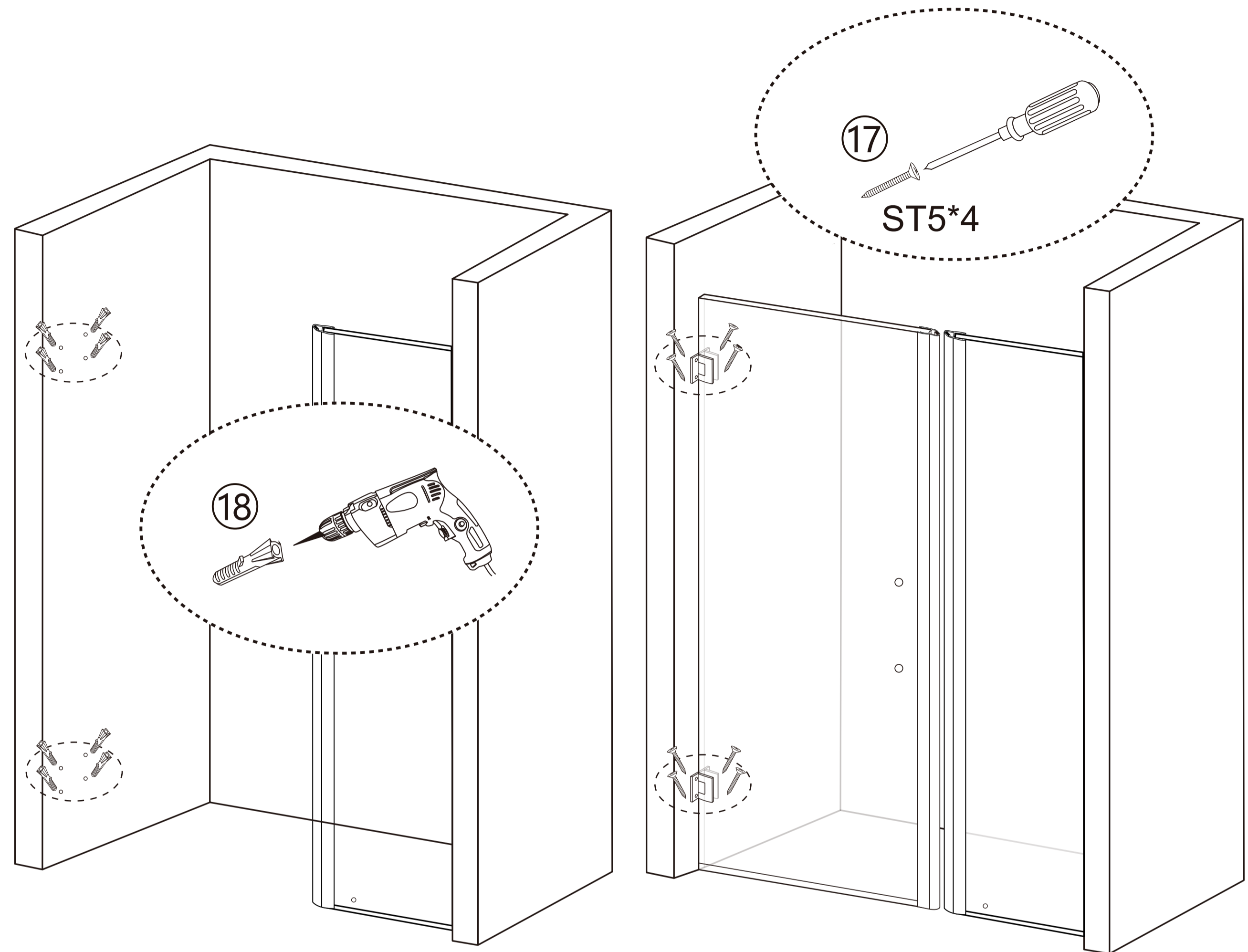
5. Place the assembled Glass Door (4) at the installation location. Raise the Glass Door (4) to the same height and horizontal position as the Stationary Glass (5) to determine the drilling position for the hinges of the Glass Door (4) on the wall. It is expected that the bottom of the Glass Door (4) will be approximately 0.66 inches above the ground. Please determine the installation position of the Glass Door (4) based on the same height as the Stationary Glass (5). When determining the position of the Glass Door (4), also ensure that the Glass Door Magnetic Strip (10) and the Stationary Glass Magnetic Strip (11) can be fully absorbed together. If there is still some distance between the Glass Door Magnetic Strip (10) and the Stationary Glass Magnetic Strip (11), can remove Strap (6) then slightly pulled out Stationary Glass (5) to ensure that they can adsorb together, then reinstall Strap (6) to fixed Stationary Glass (5).



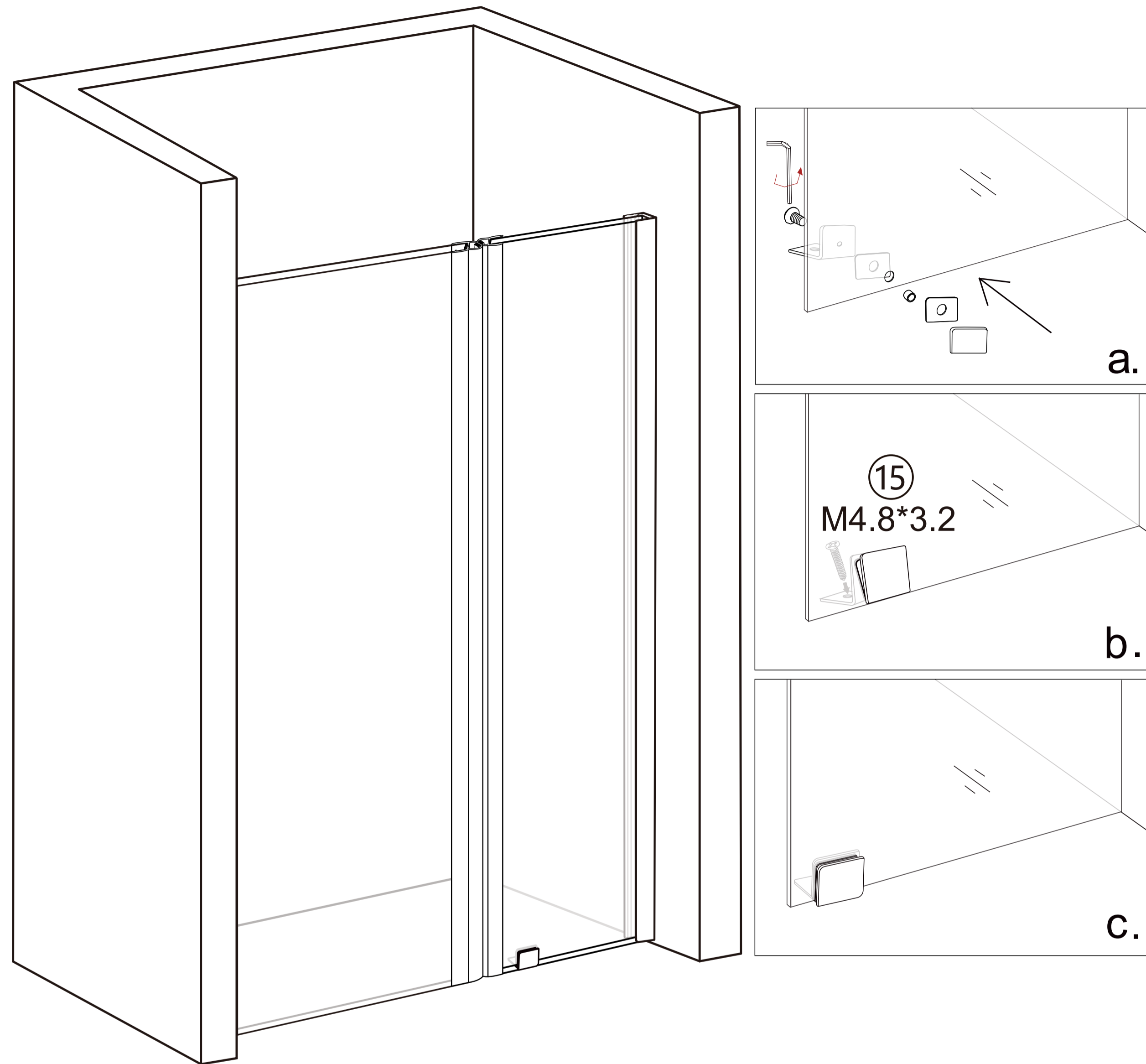
As shown in the figure that the Glass Door Magnetic Strip (10) and the Stationary Glass Magnetic Strip (11) can be fully absorbed together.



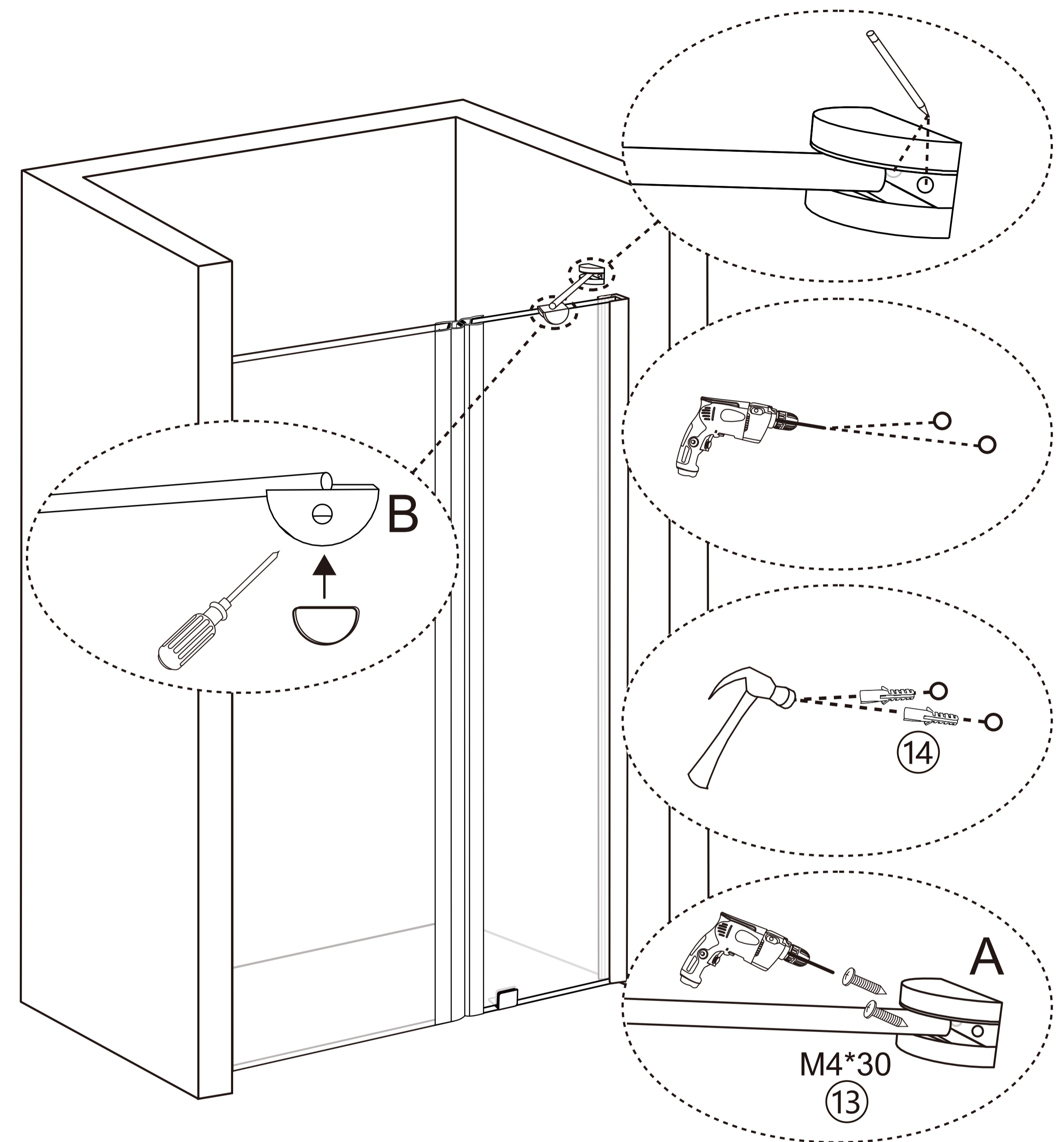
6. After determining the position of Glass Door (4), mark the drilling position of the hinge of Glass Door (4) on the wall.



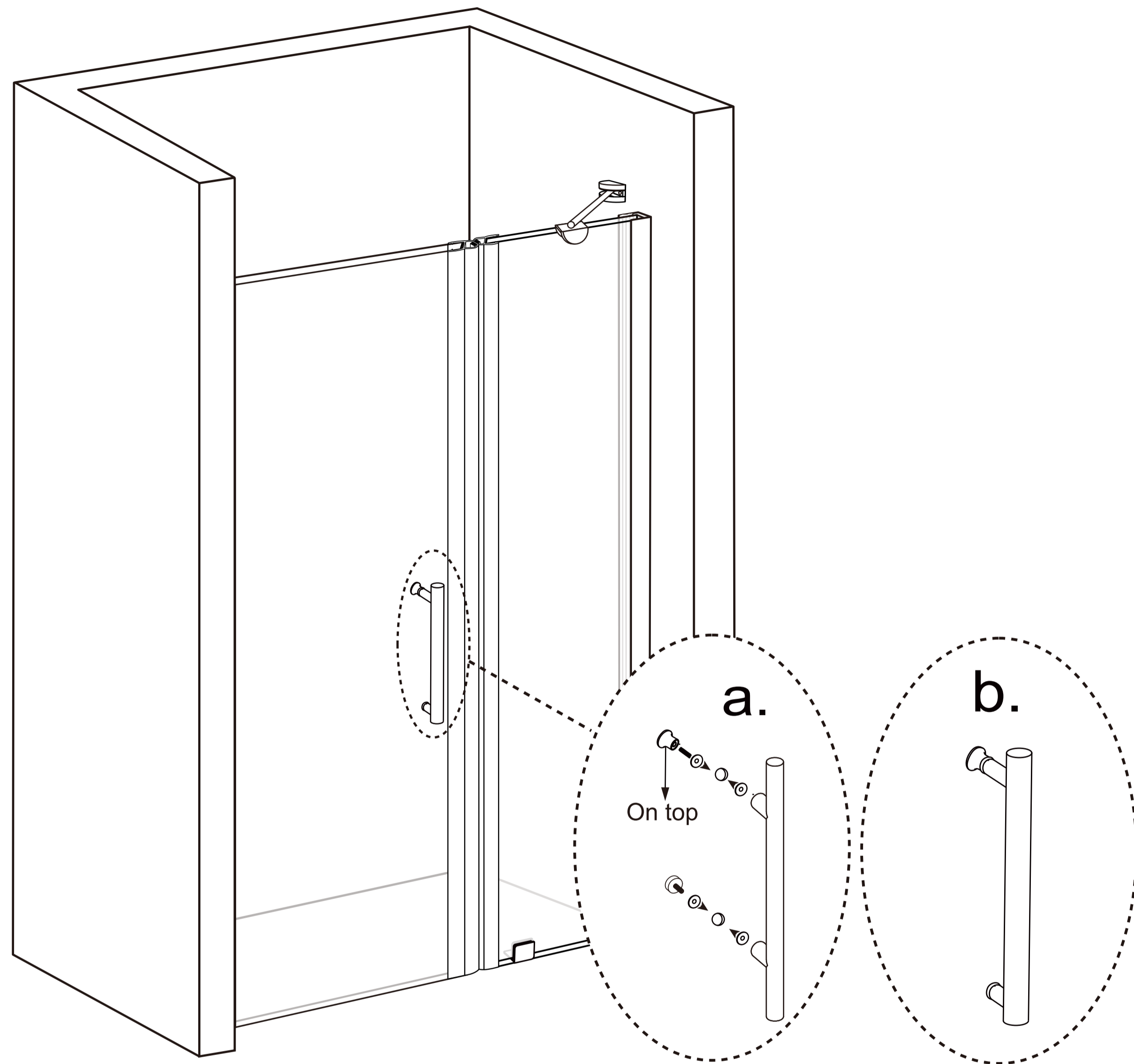
7. Then place the assembled Glass Door (4) aside, Drill holes at the marked positions with a \varnothing 5/16 inches drill bit and insert Wall Anchor C (18) into the holes. Then place the assembled Glass Door (4) back in place and fix Hinge (3) to the wall with Screw ST5X4 (17).



8. Then disassemble L Wall Cover (7), Align L Wall Cover (7) with the holes at the bottom end of the Stationary Glass (5), install on the glass. Mark the hole position of L Wall Cover (7) on the ground, then remove L Wall Cover (7) to punch the holes and drill Wall Anchor B (16) into the floor. install L Wall Cover (7) on the glass again and then use Screw M4.8X3.2 (15) to lock L Wall Cover (7) on the ground, to determine the stability of the glass. This step uses an $\varnothing 5/16$ " drill bit to drill holes in the ground.



9. First insert the small gasket into the B end, then secure the B end to the Stationary Glass (5), Then determine the position of the A end on the wall, mark the drilling position of the A end on the wall, and use a 1/4 inch drill bit to drill the hole, insert Wall Anchor A (14), then use a 4*30 screw (13) to secure the A end to the wall.



10. Install Handle (12) to the glass door (4).

When installing the handle, you need to first loosen and remove the upper and bottom screws of the handle, and then install the handle along the two holes on the sliding glass. Please refer to the diagram for details. All the necessary accessories are already on the handle.