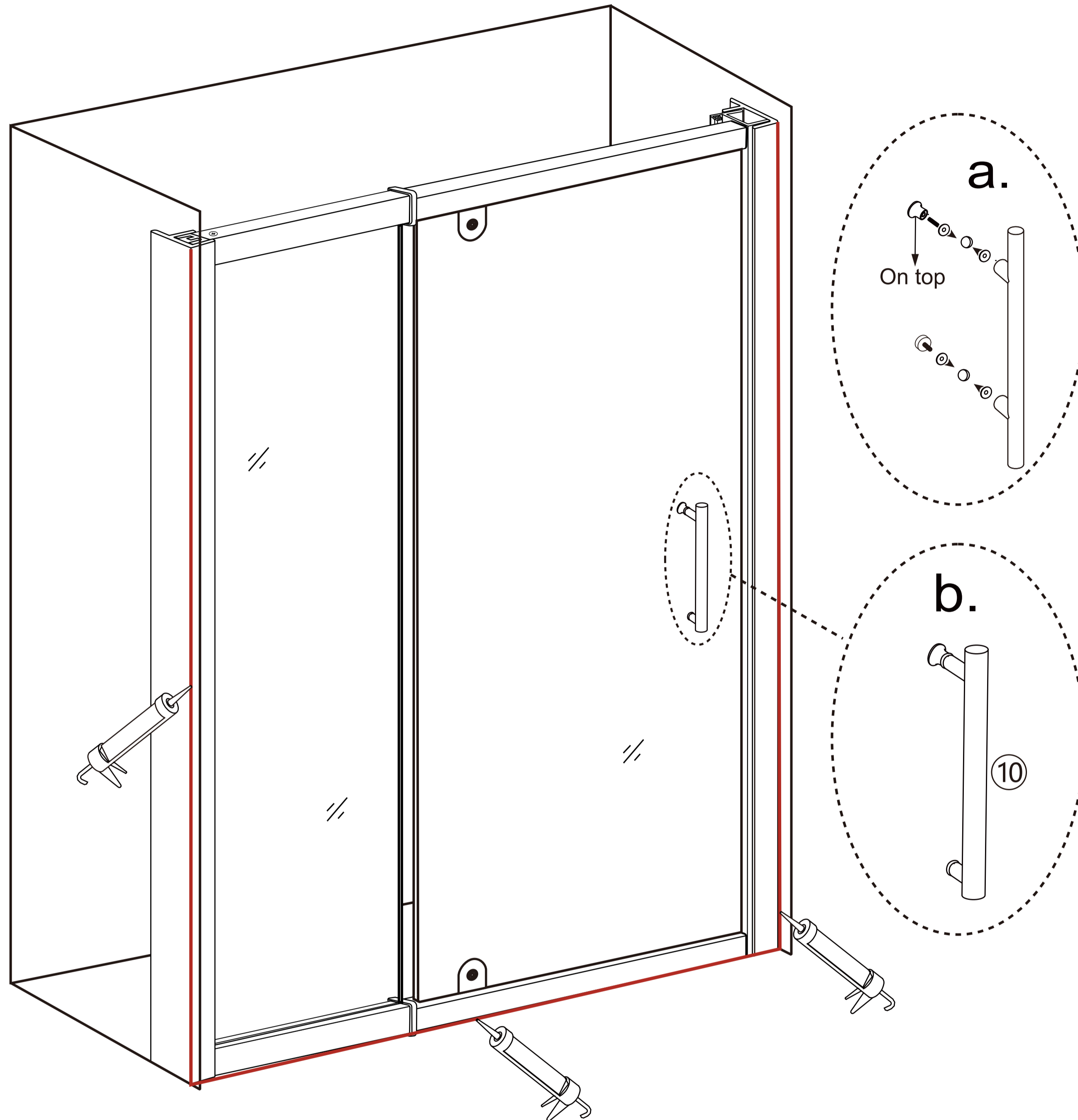


INSTALLATION INSTRUCTIONS

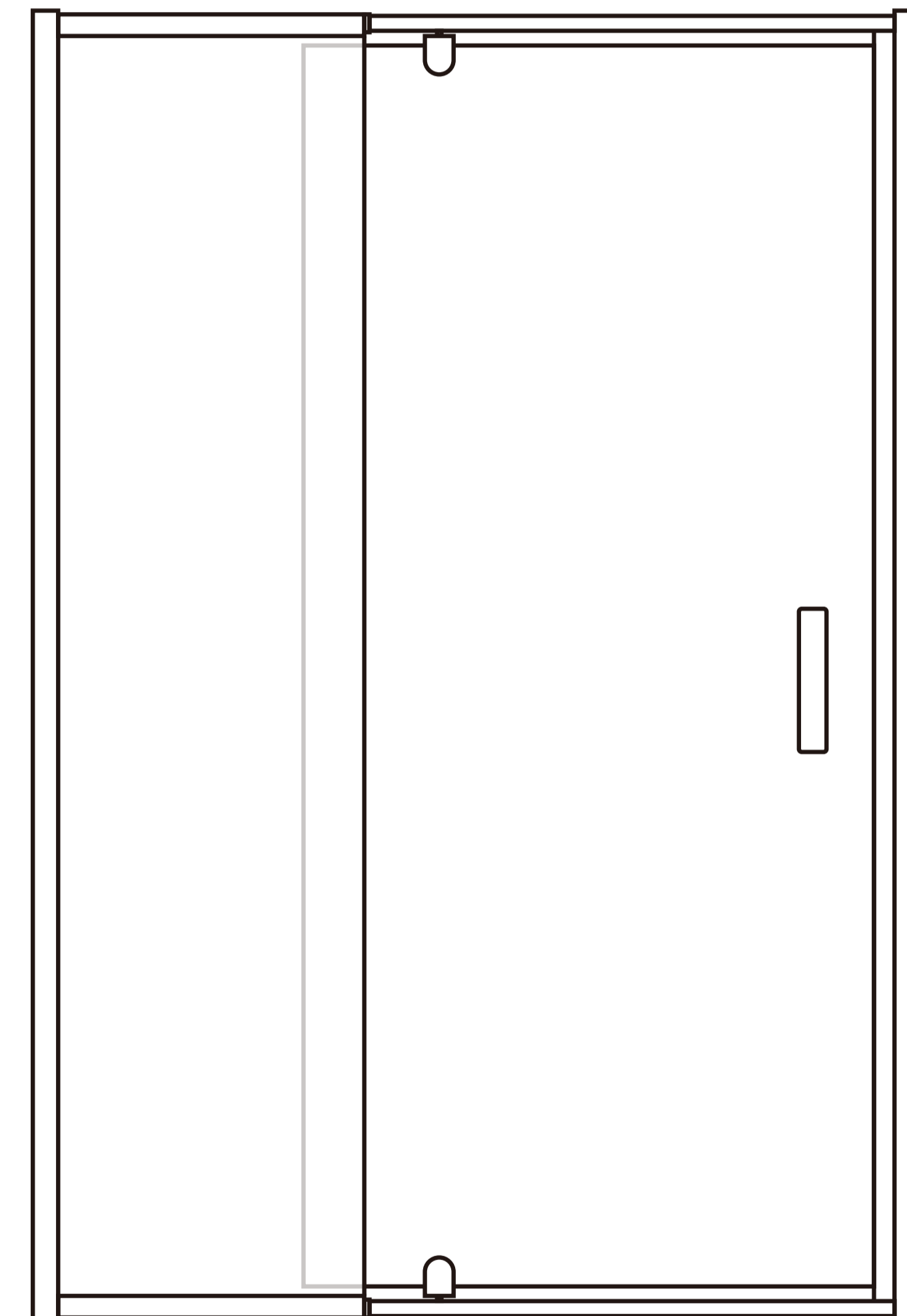
SHOWER DOOR

DELAVIN BDK202



12. Finally, install Handle (10) .

Apply good quality mildew-resistant silicone to the entire interior perimeter where the wall profile meets the wall and along the threshold.
Allow 24 hours for the silicone to fully cure before using the shower.



E-MAIL: service@delavinhome.com



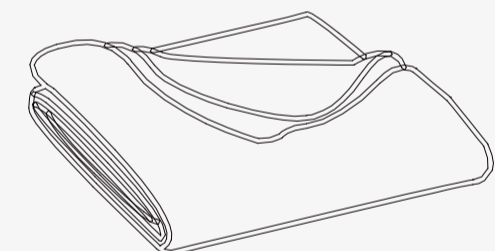
Please read all instructions carefully before installation.



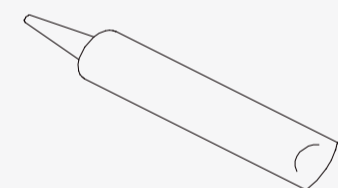
Due to the complexity of the installation process, professional personnel are recommended.

Tools Required

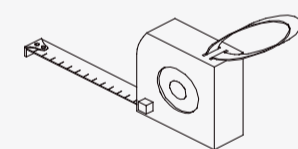
Other tools may be required



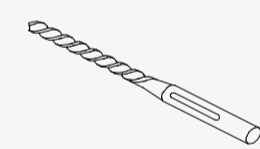
Soft Cloth or Blanket



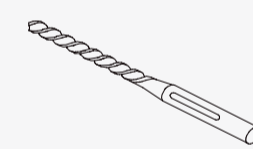
Caulk



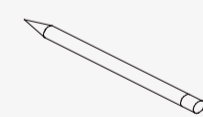
Tape Measure



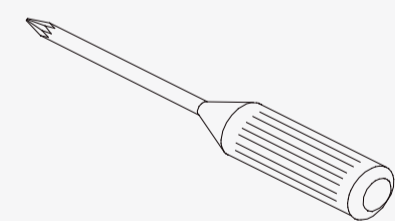
Drill Bit (Ø = 1/8")



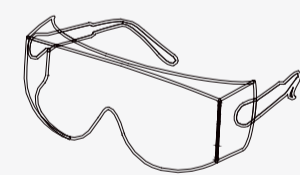
Drill Bit (Ø = 5/16")



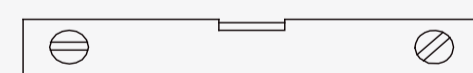
Pencil



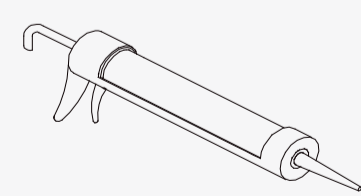
Phillips Screwdriver



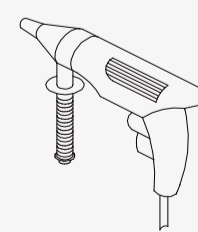
Safety Glass



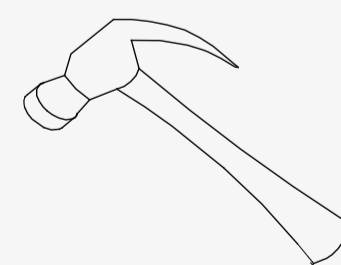
Level



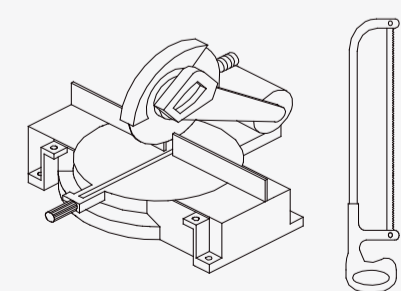
Caulk Gun



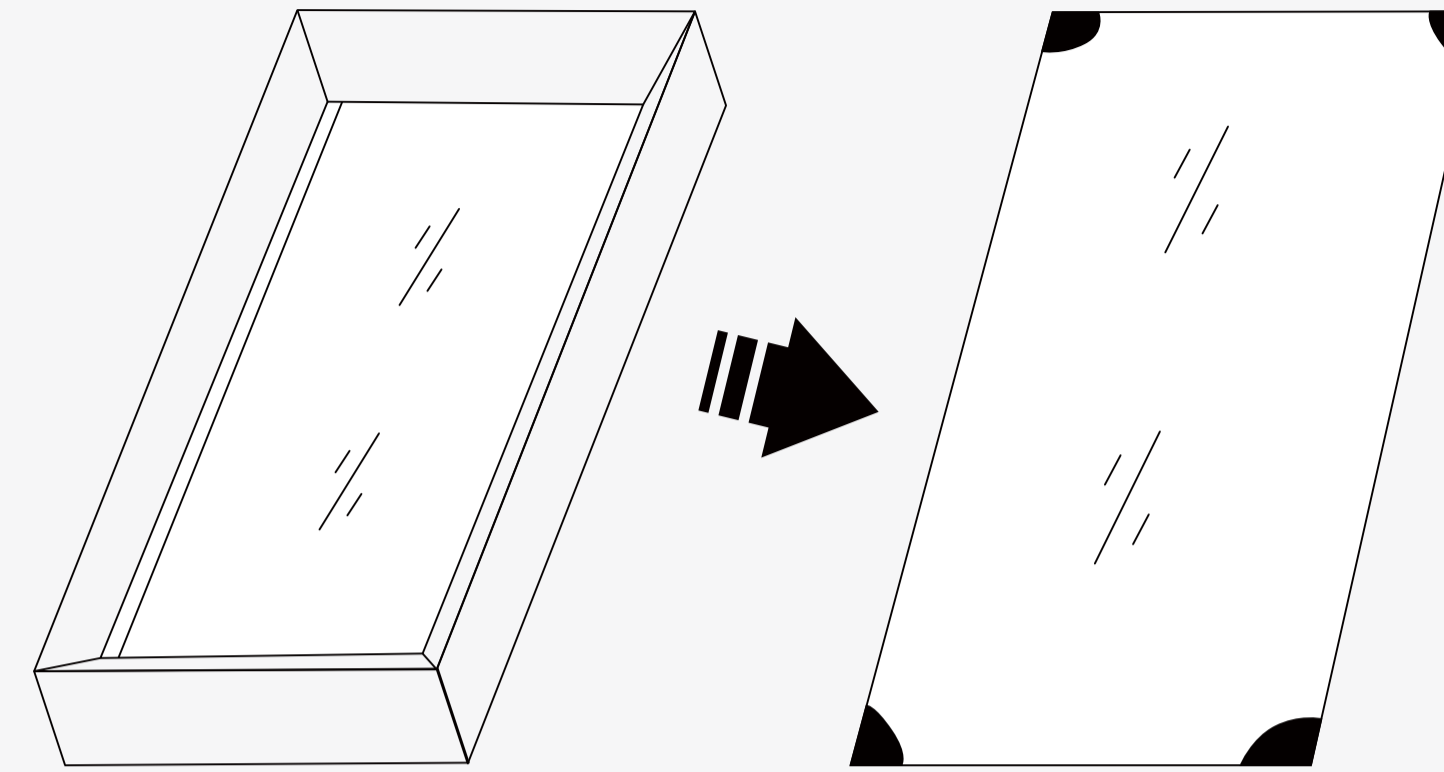
Drill



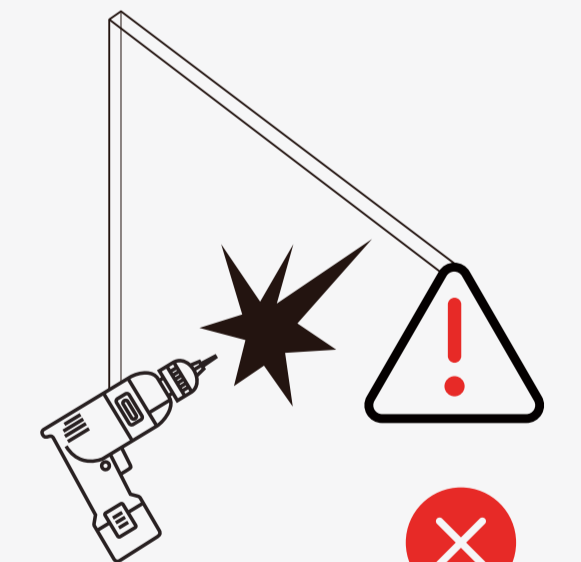
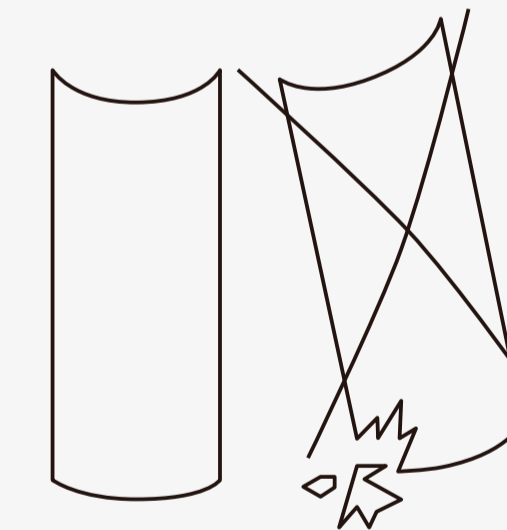
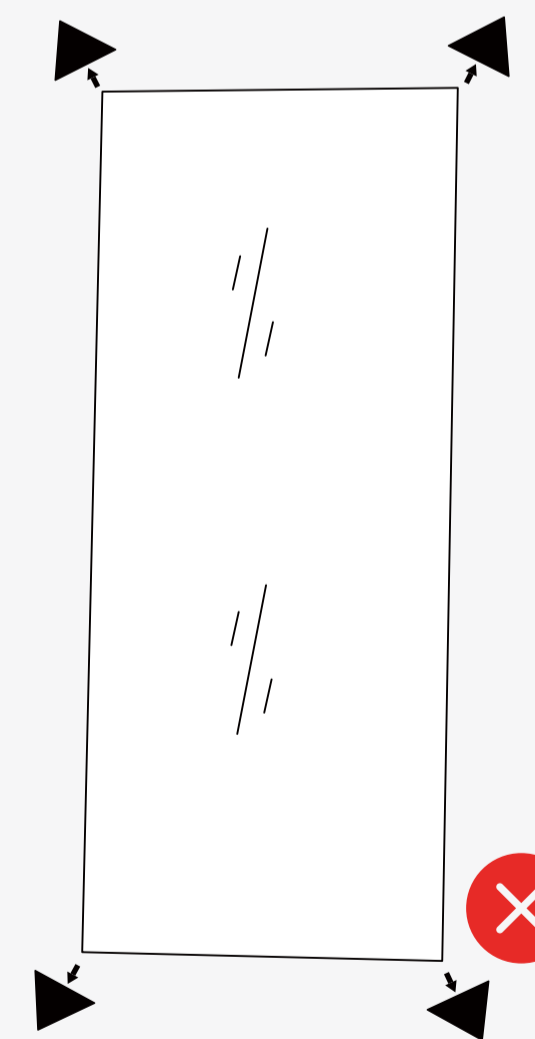
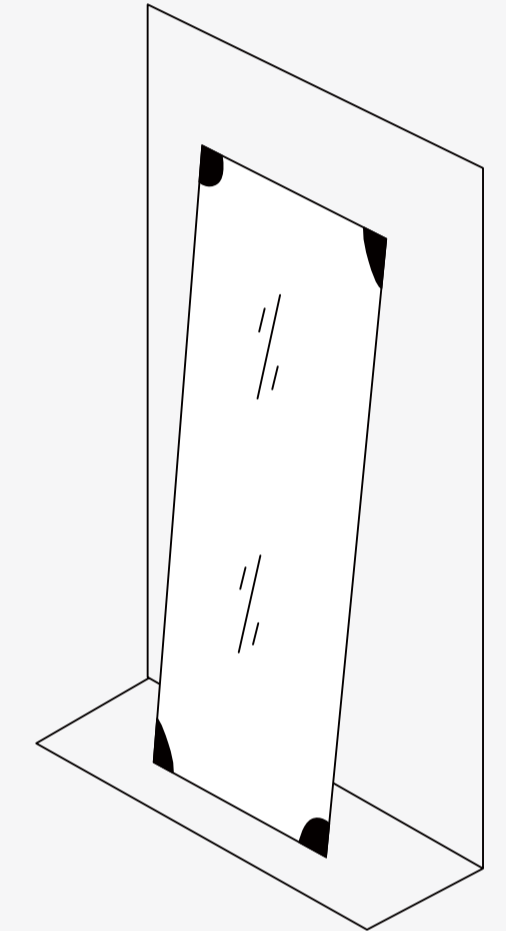
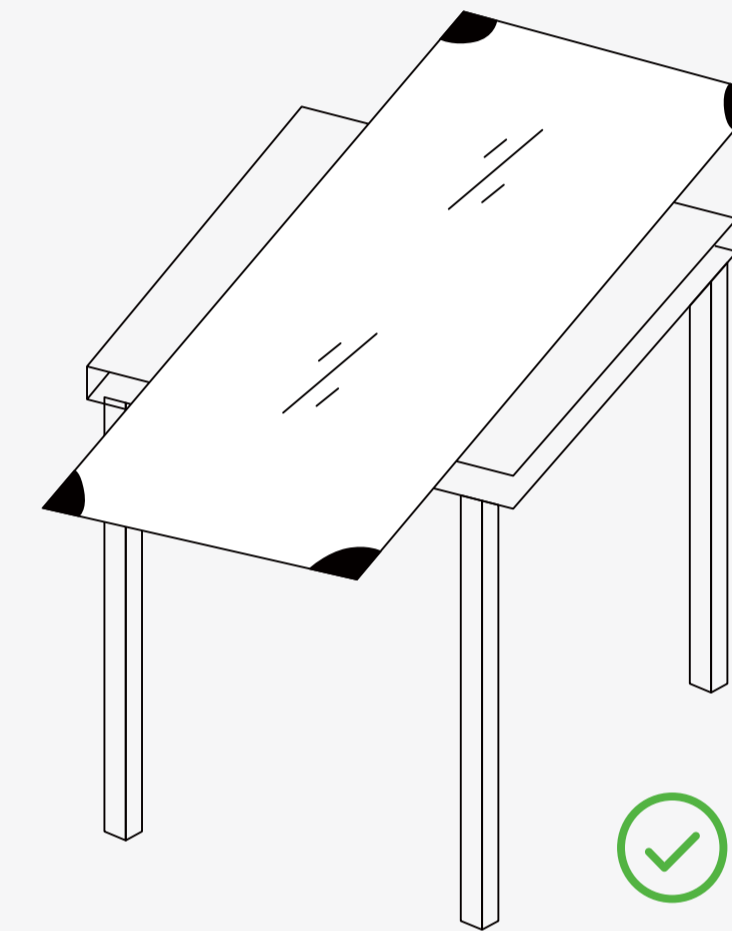
Hammer



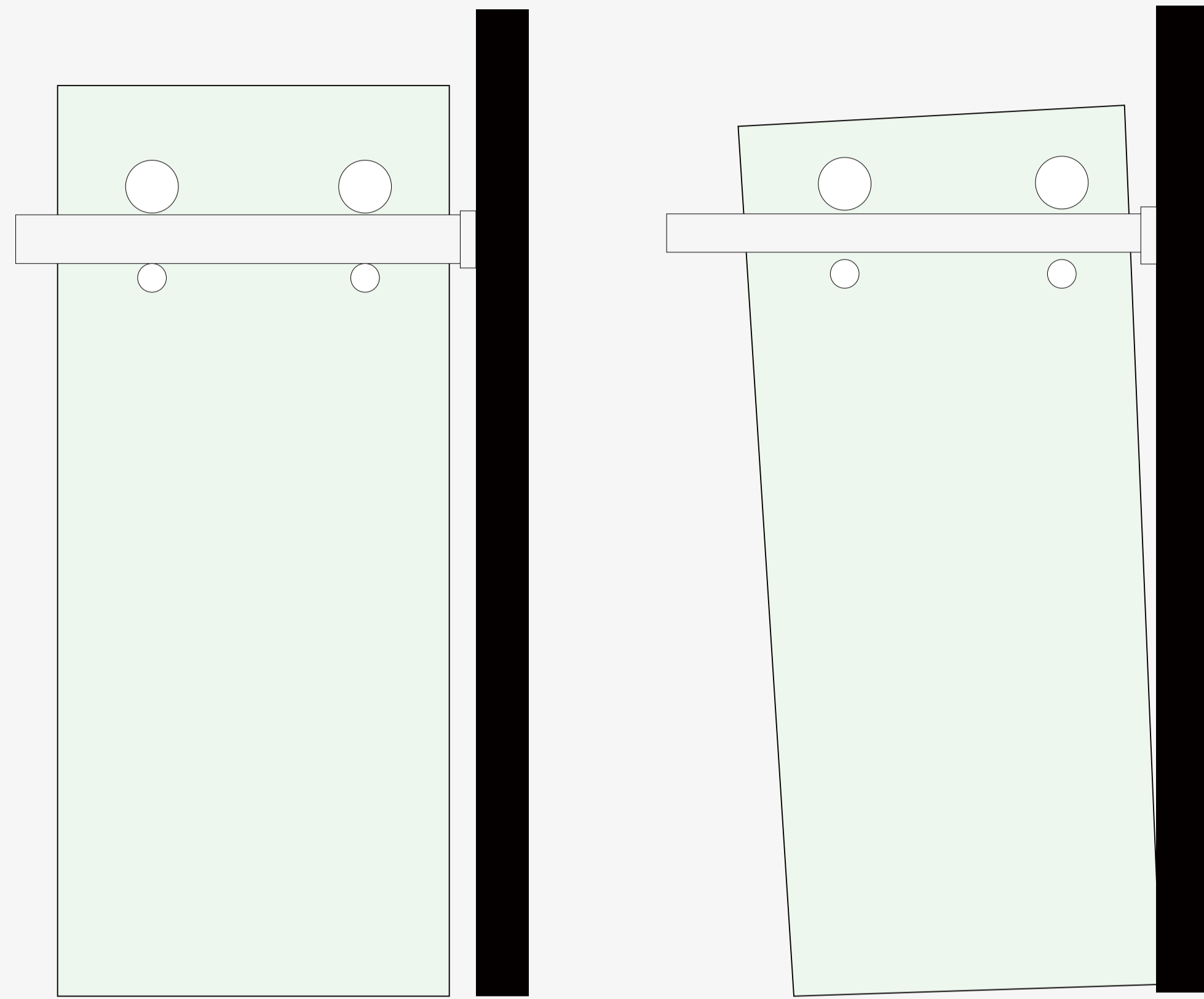
Mitter Saw or Hacksaw




Be careful when moving the glass and properly place the glass.

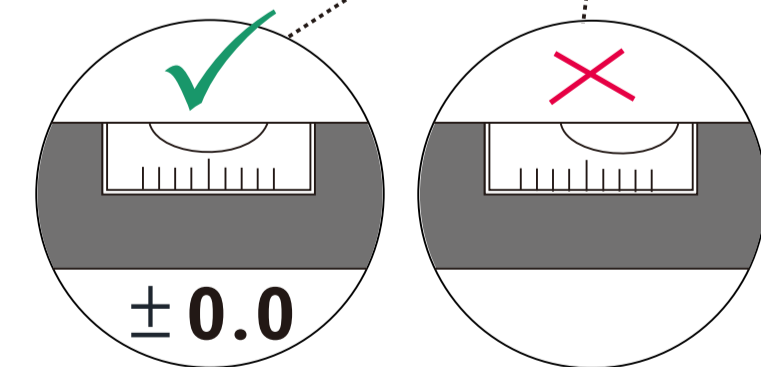
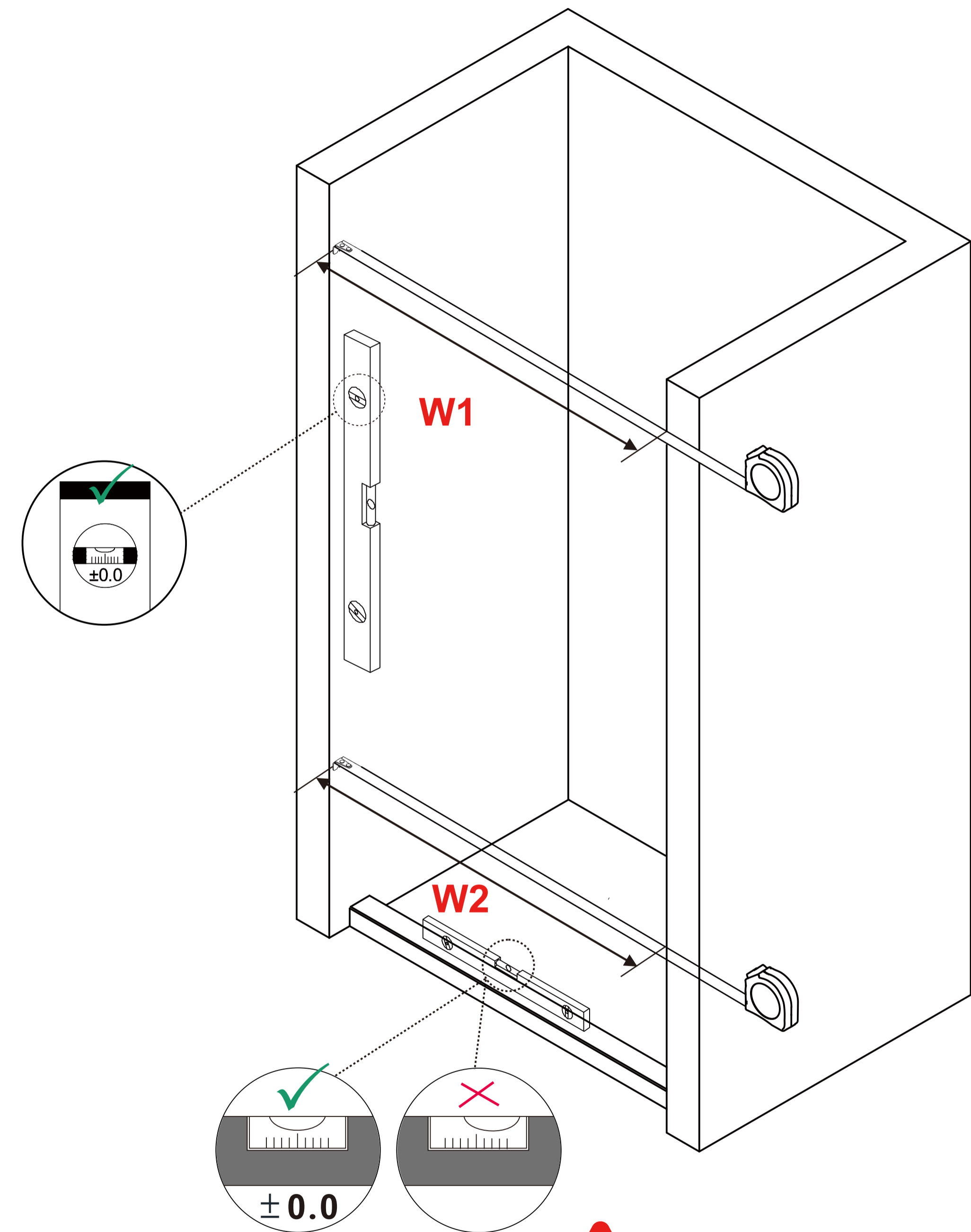


Do not remove the corner guard in advance.
Do not let the corners of the glass collide with a hard surface.
Do not drill glass with a drill bit.




The glass needs to be ensured to be level and vertical.

 Make sure that the wall and the base are level.



W1=W2

 Measure the Width of W1 and W2 carefully, make sure the width of the upper and lower walls is consistent before installation.

IMPORTANT SAFTY INFORMATION



PLEASE READ WARNINGS

Improper use can cause safety hazards, or damage to your product and your home.

Warning	Do	Don't
Serious injury may occur.	<ul style="list-style-type: none"> Assemble following all instructions using all indicated parts and hardware provided. This product must be installed by an adult. Keep children and animals away While installing the product. Improperly assembling or positioning the product may be dangerous. 	<ul style="list-style-type: none"> Do not move unit when loaded. Do not attempt to install it alone, as the product is relatively heavy and prone to damage and injury.

Get Ready to Assemble

For best results, keep these tips in mind:

① We know you want to finish this assemble as quick as possible, but trust us: you'll have a better experience if you take it one step at a time.

③ Give yourself some space to work near where you want to put this product

② We strongly recommend that this product be installed by a licensed and insured professional contractor, including the assistance of a second person during installation.

④ If your floor isn't carpeted, assemble this product on the empty carton to avoid scratching.

DO

✓ After unpacking, verify that all parts are included using the Shower Door Components Detail Sheet and check for shipping damage. If there are issues, contact customer support.

✓ Consult local building codes if you're unsure about installation compliance.

✓ Ensure the installation surface is level, solid, and can support the unit's weight, and that walls are at right angles.

✓ Protect all major surfaces of the product during installation.

DON'T

✗ Irregular mounting surface levels or improper angle of side walls will cause serious problems during installation.

✗ Never place glasses directly on tile floors. Leave the corner protector in place until it needs to be removed.

✗ Do not attempt to use this product before all steps have been completed.

✗ Do not install the product directly, please make sure that all accessories are included and there is no damage.

Consumer Service

If necessary, to quickly free replace damaged/missing parts. Simply have your order ID, instruction manual, and part number/description ready when you write an email to us. It's that easy.

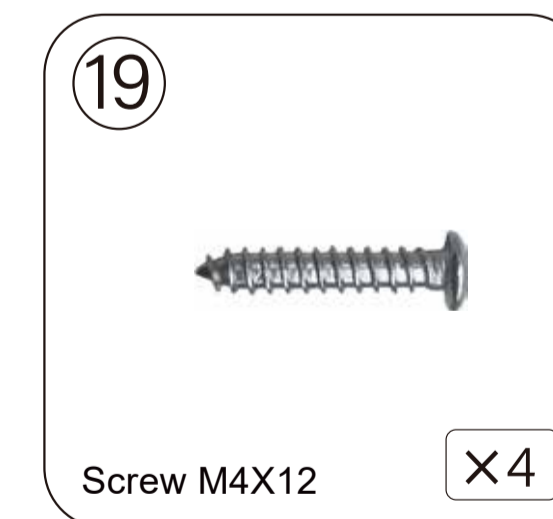
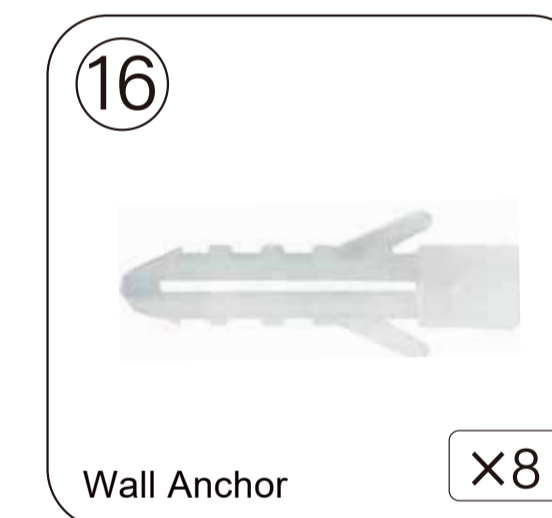
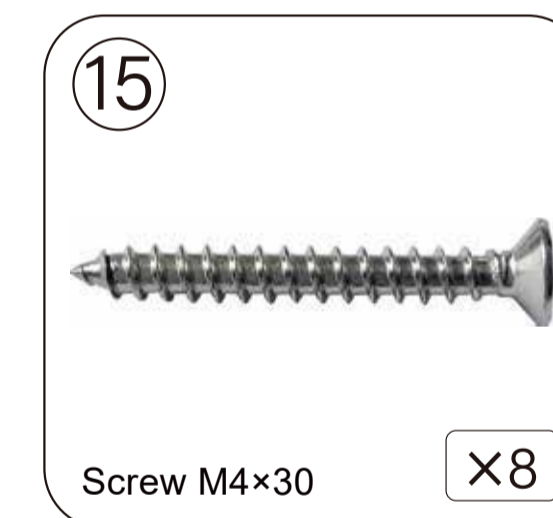
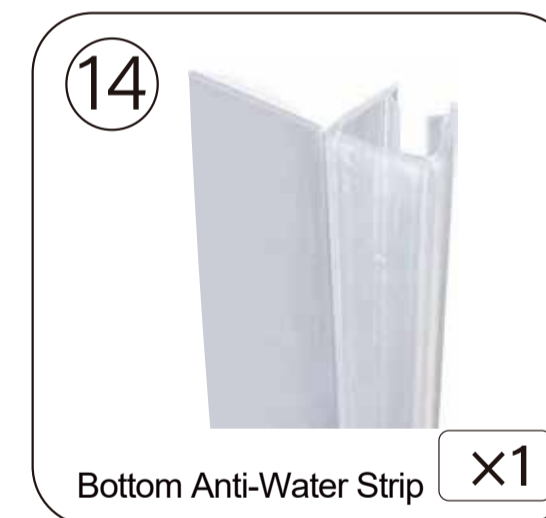
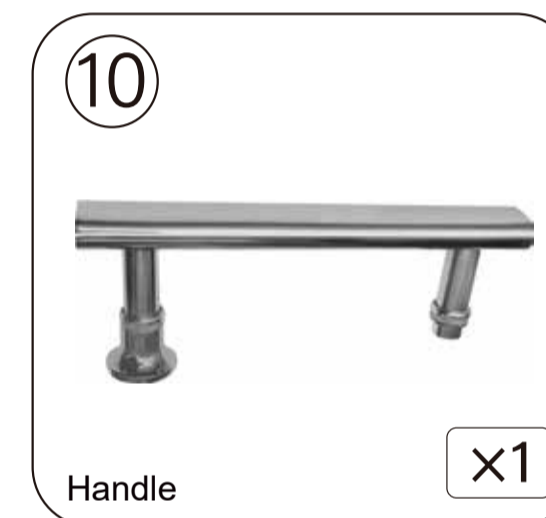
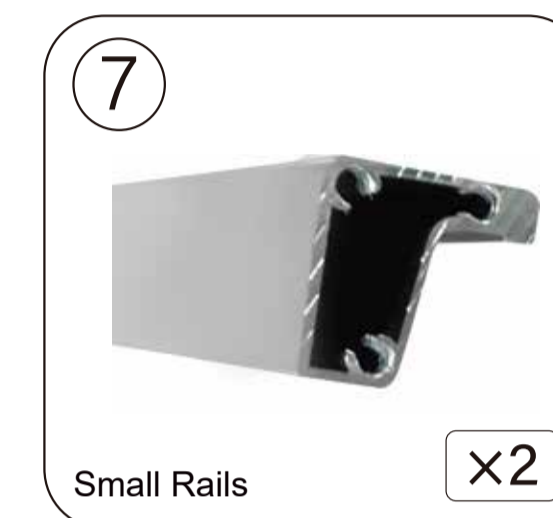
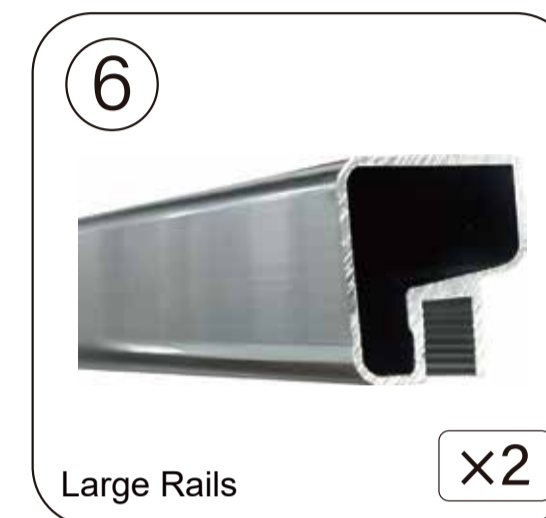
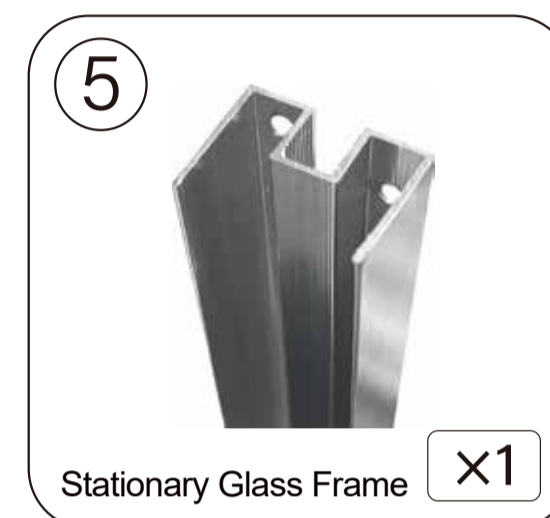
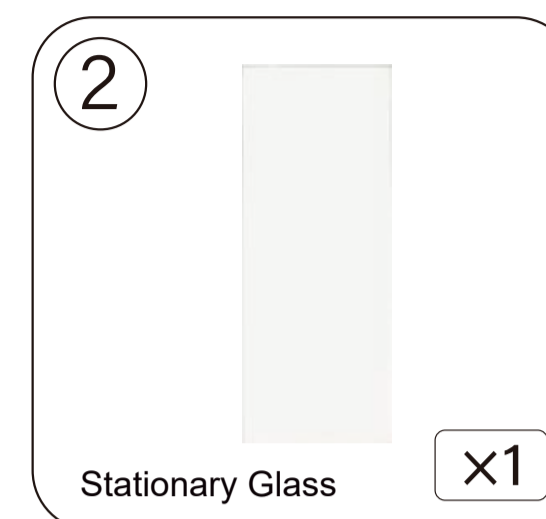
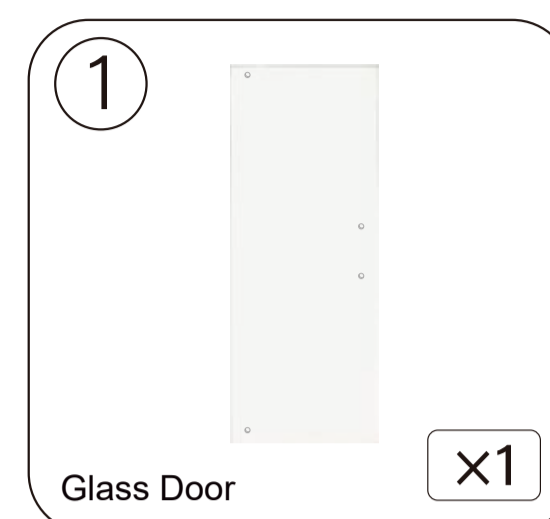
Contact us

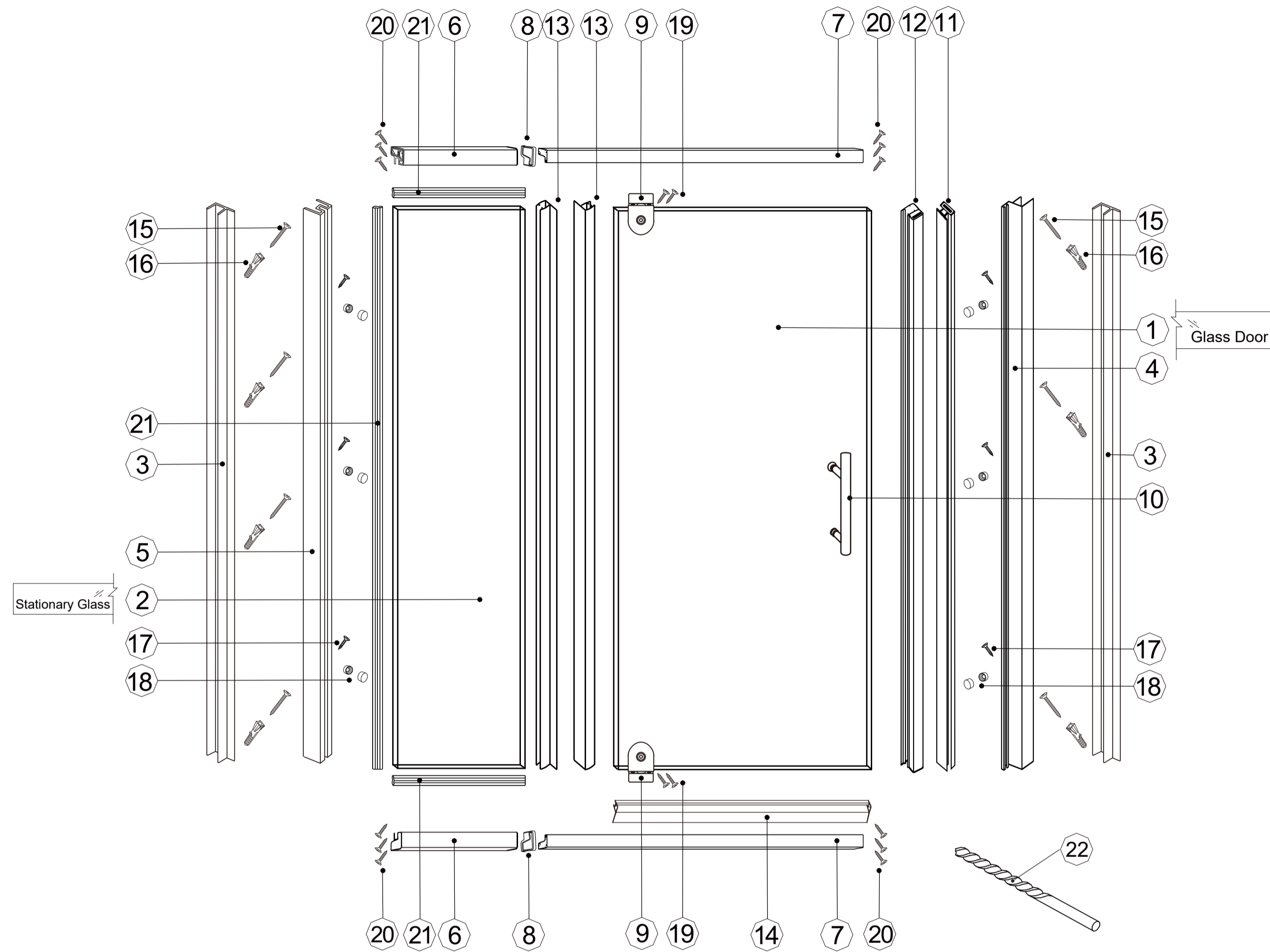
Monday to Sunday (Except holidays)

We will respond within 24 hours.

E-MAIL:
service@delavinhome.com

Parts List



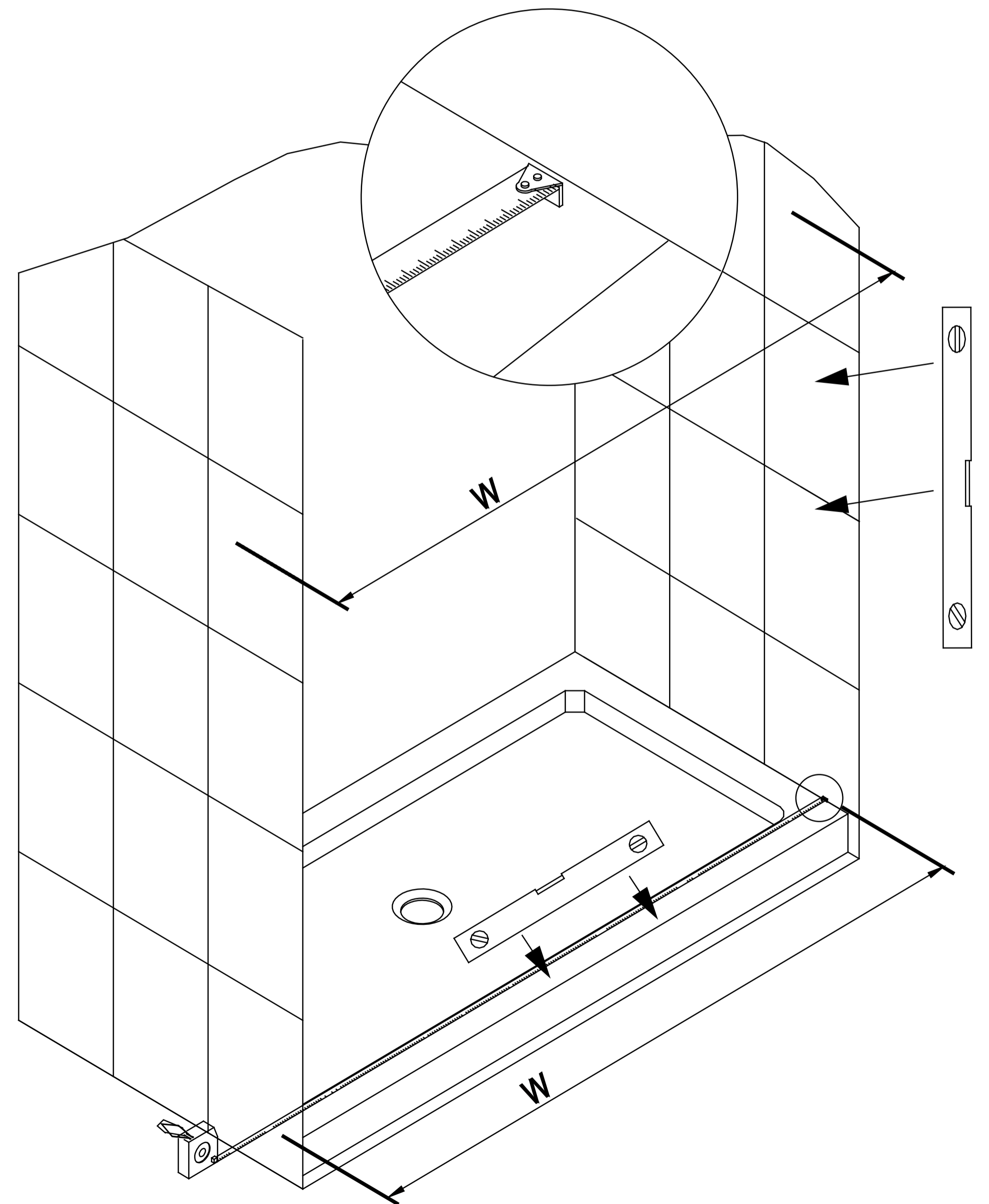


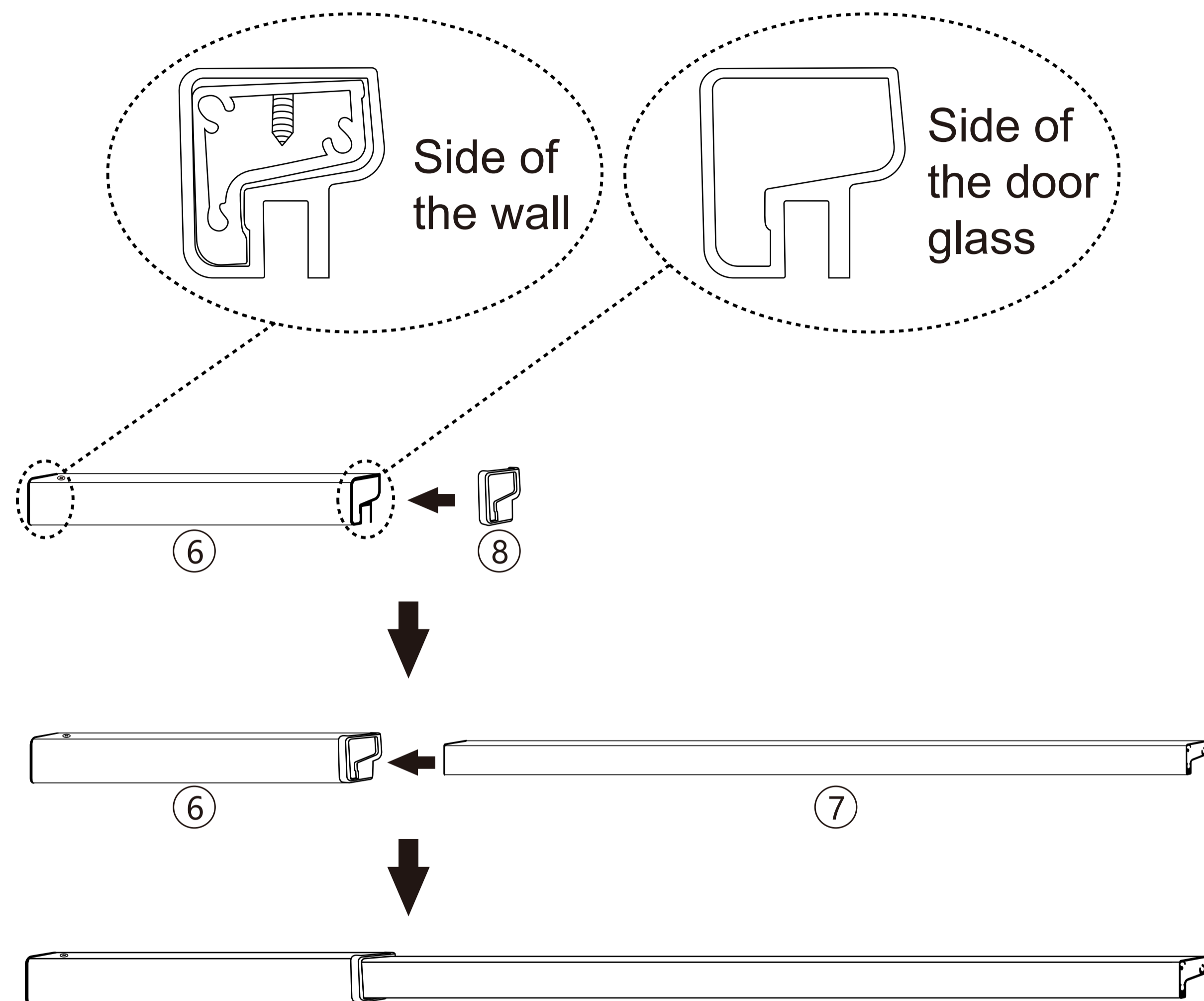
No.	Description	QTY	No.	Description	QTY
1	Glass Door	1 pc	12	Glass Magnetic Strip	1 pc
2	Stationary Glass	1 pc	13	Side Anti-Water Strip	2 pcs
3	Wall Frame	2 pcs	14	Bottom Anti-Water Strip	1 pc
4	Door Magnetic Strip Frame	1 pc	15	Screw M4X30	8 pcs
5	Stationary Glass Frame	1 pc	16	Wall Anchor	8 pcs
6	Large Rails	2 pcs	17	Screw M4X10	6 pcs
7	Small Rails	2 pcs	18	Decorative Hat	6 pcs
8	Decorative Block	2 pcs	19	Screw M4X12	4 pcs
9	Glass Lifting Clips	2 pcs	20	Screw M4X20	12 pcs
10	Handle	1 pc	21	Strap	3 pcs
11	Door Magnetic Strip	1 pc	22	Drill Bit Ø 1/8"	1 pc

TEAR OFF THE GLASS PROTECTIVE FILM BEFORE INSTALLATION

Installation steps

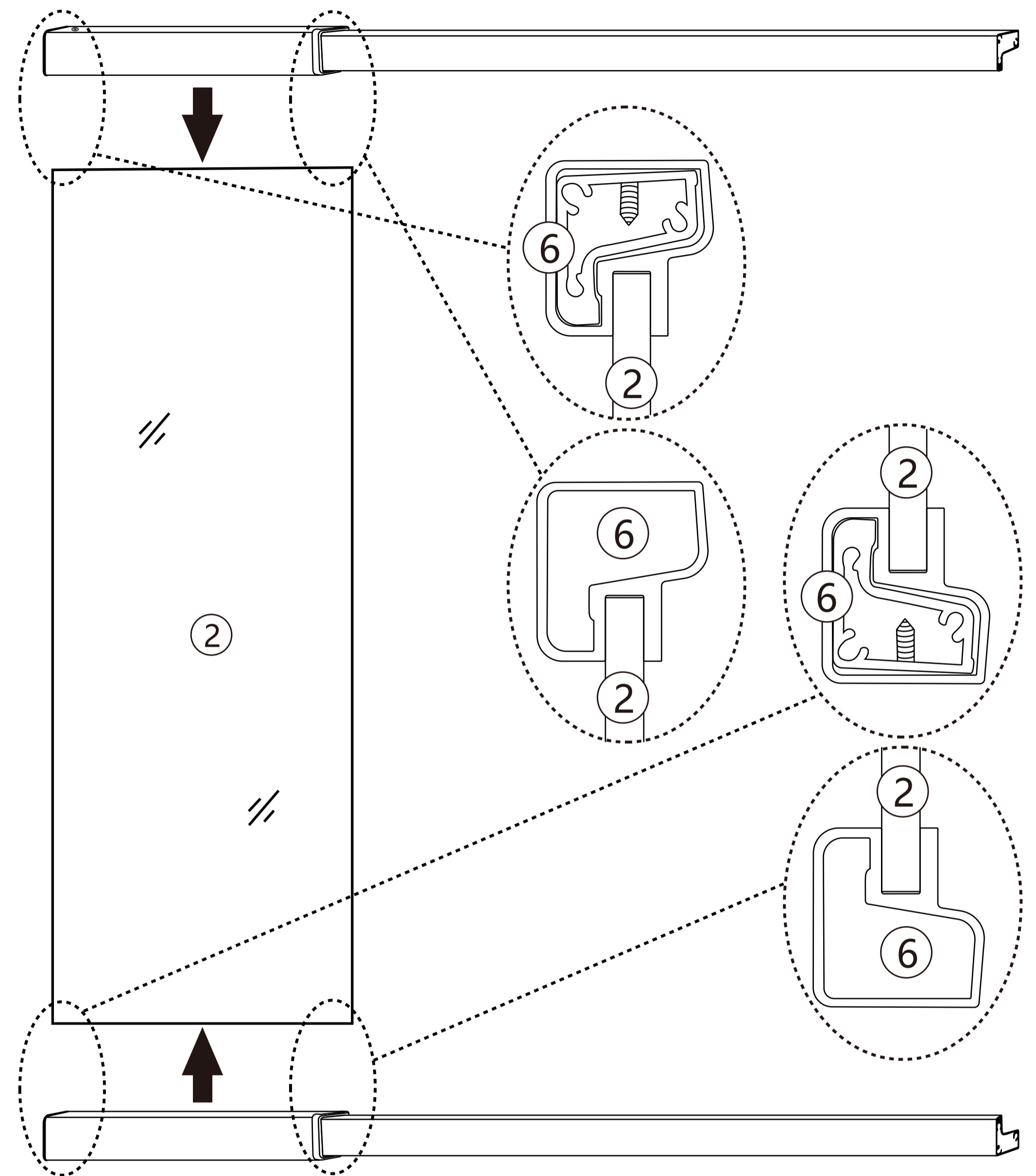
1. Measure the finished opening width at the bottom and at the top. Also check the threshold for level and the walls for plumb.





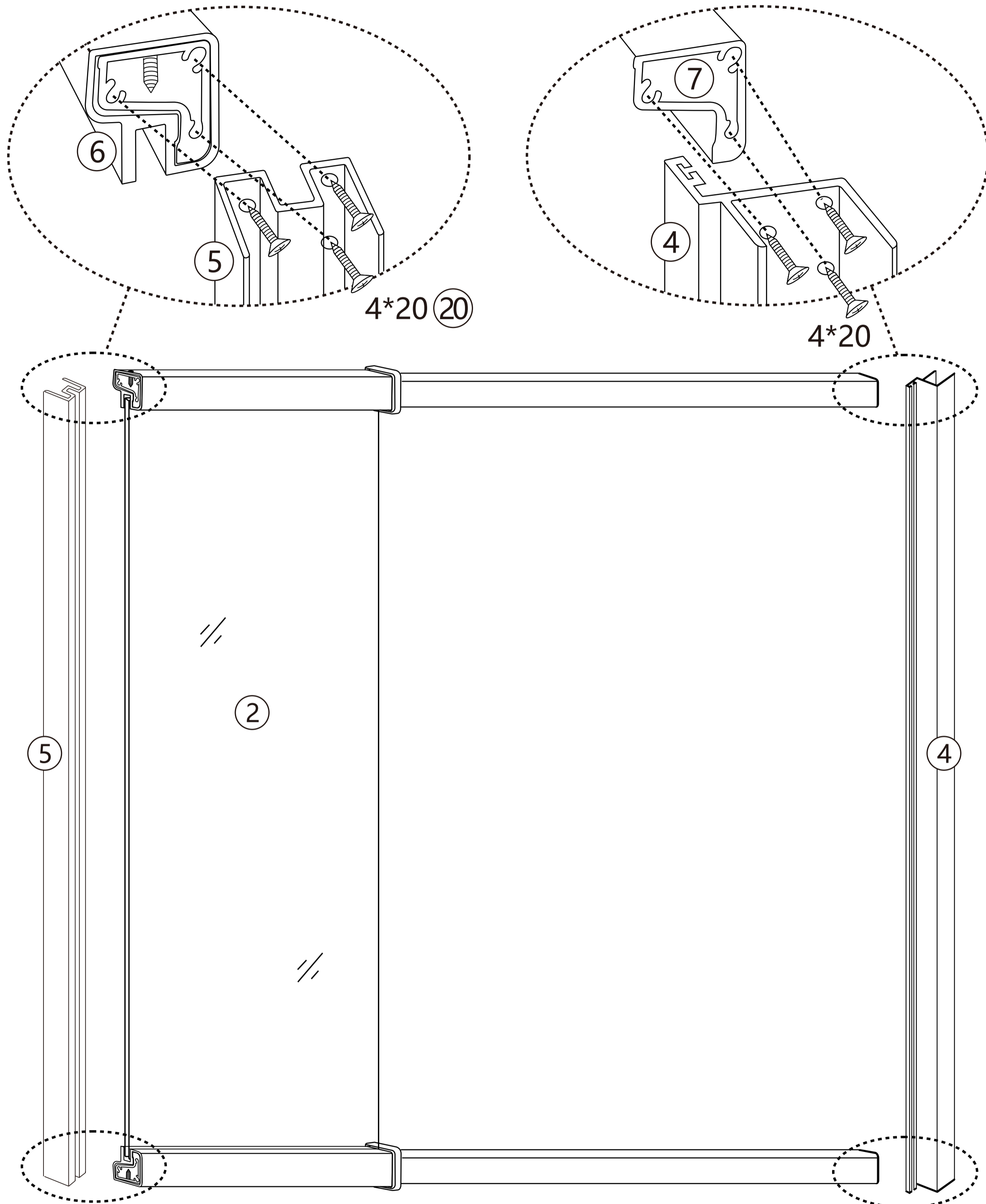
2. First of all, assemble the upper and lower rail as shown in the picture on above. The upper and lower guide rails are the same, both assembled by combining the Large Rail (6) and Small Rail (7) in the following manner.

First snap Decorative Block (8) to the side of Large Rails (6) against the glass door. Then insert Small Rails (7) into Large Rails (6), adjust the length of the rail according to the size of the opening of the installation location.

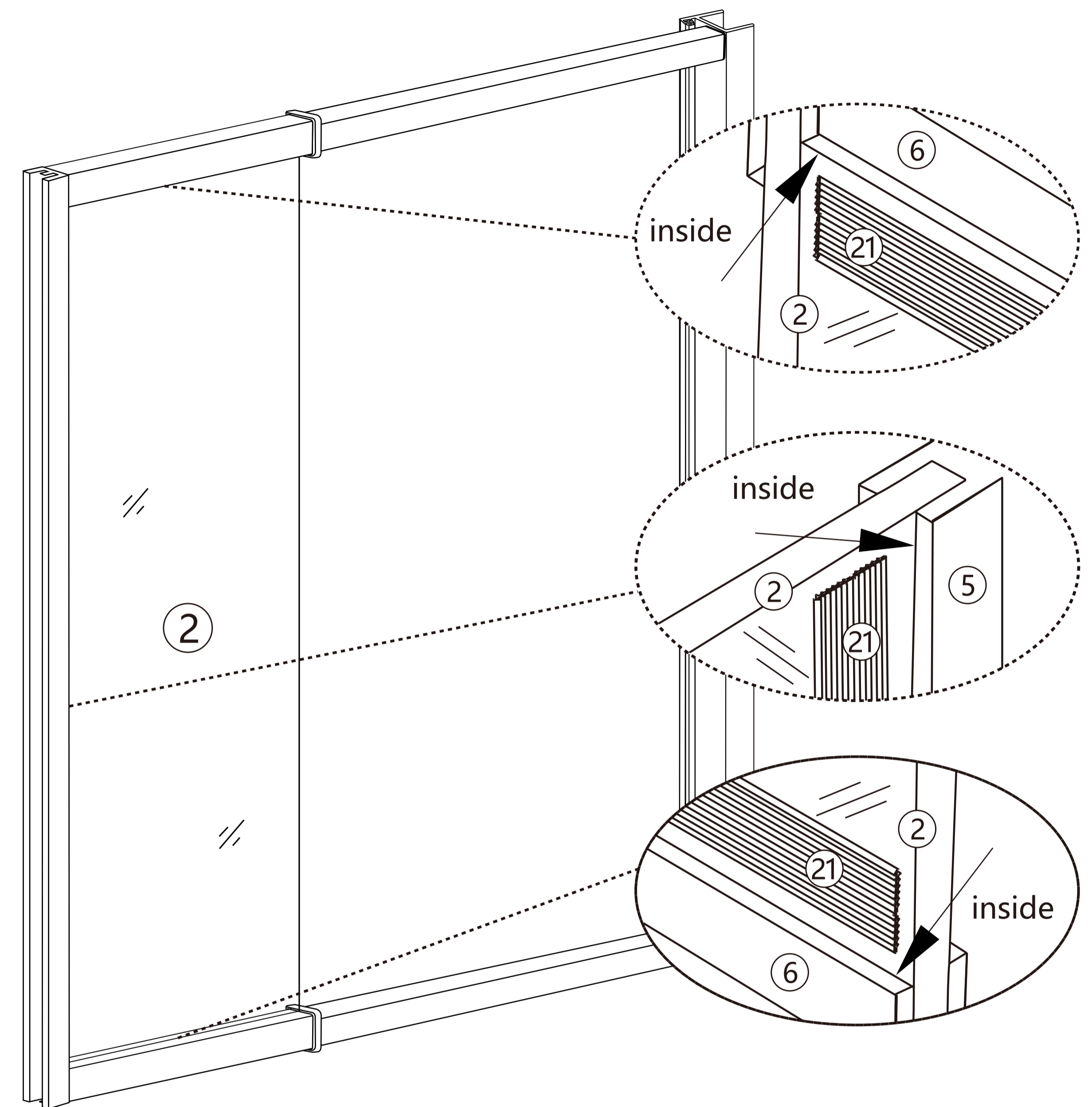


3. Insert the Stationary Glass (2) into the grooves of the upper and lower guide rails, as shown in the figure.

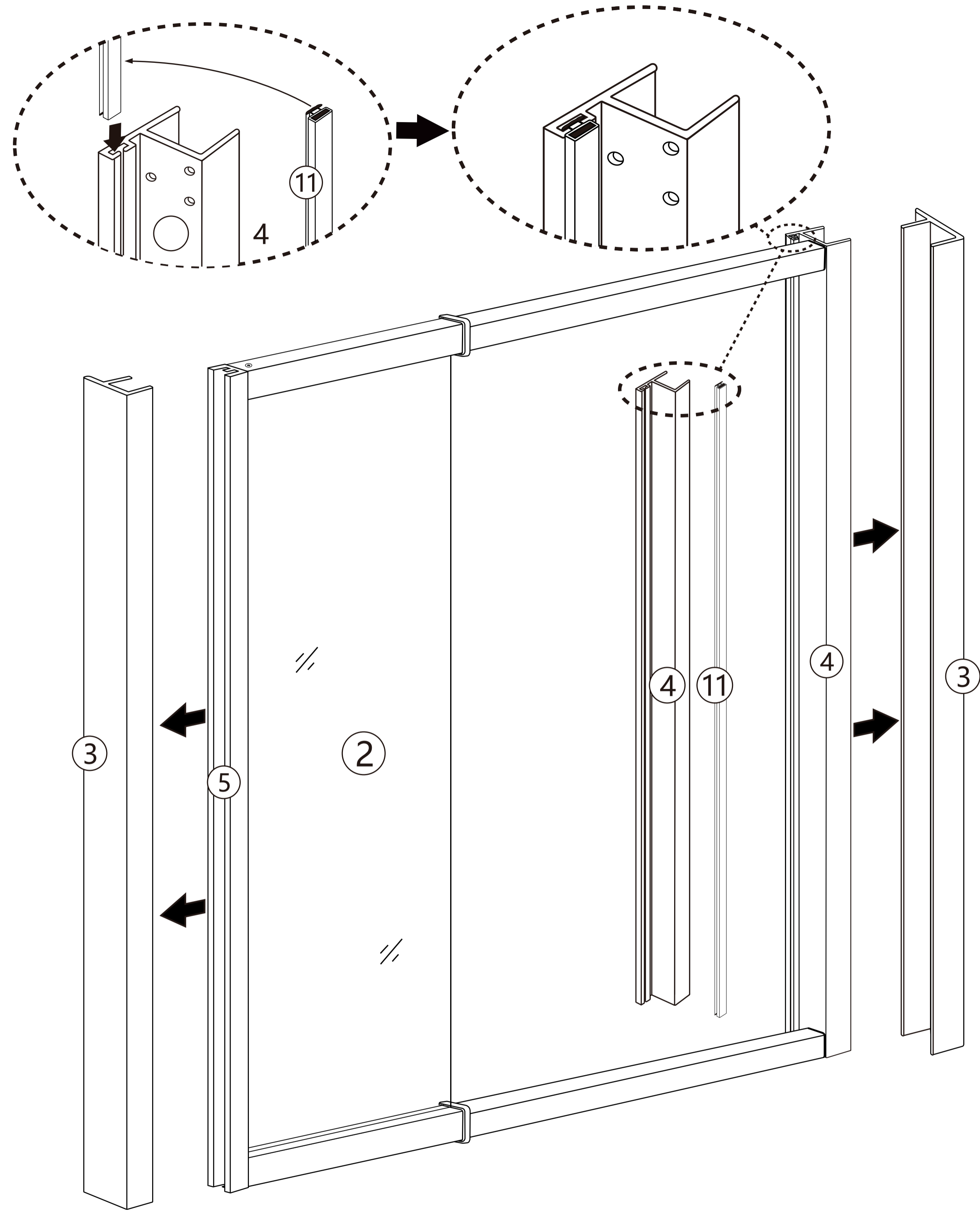
(Note: The two ends of Large Rails (6) are different, with one end having built-in screw hole fittings (this end is against the wall) and the other end not having built-in screw fittings (this end is close to the glass). The built-in screw hole accessory is designed to provide holes for locking screw when fixing the Stationary Glass Frame (5) and Large Rails (6), Screw hole accessories are already locked before leaving the factory and do not need to be installed



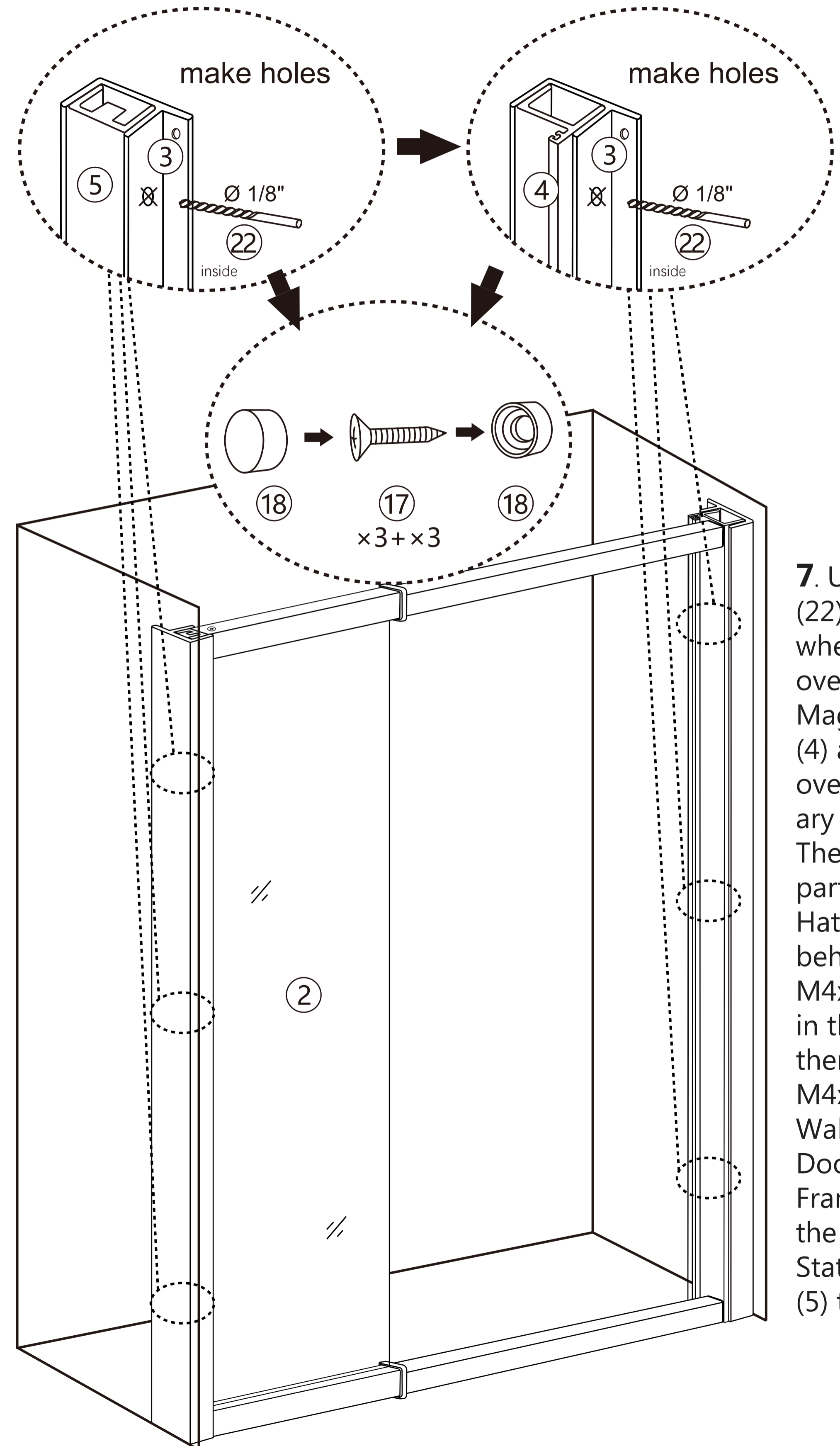
4. Use Screw M4X20 (20) to lock up Stationary Glass Frame (5) and Large Rails (6), use Screw M4X20 (20) to lock up Door Magnetic Strip Frame (4) and Small Rails (7)



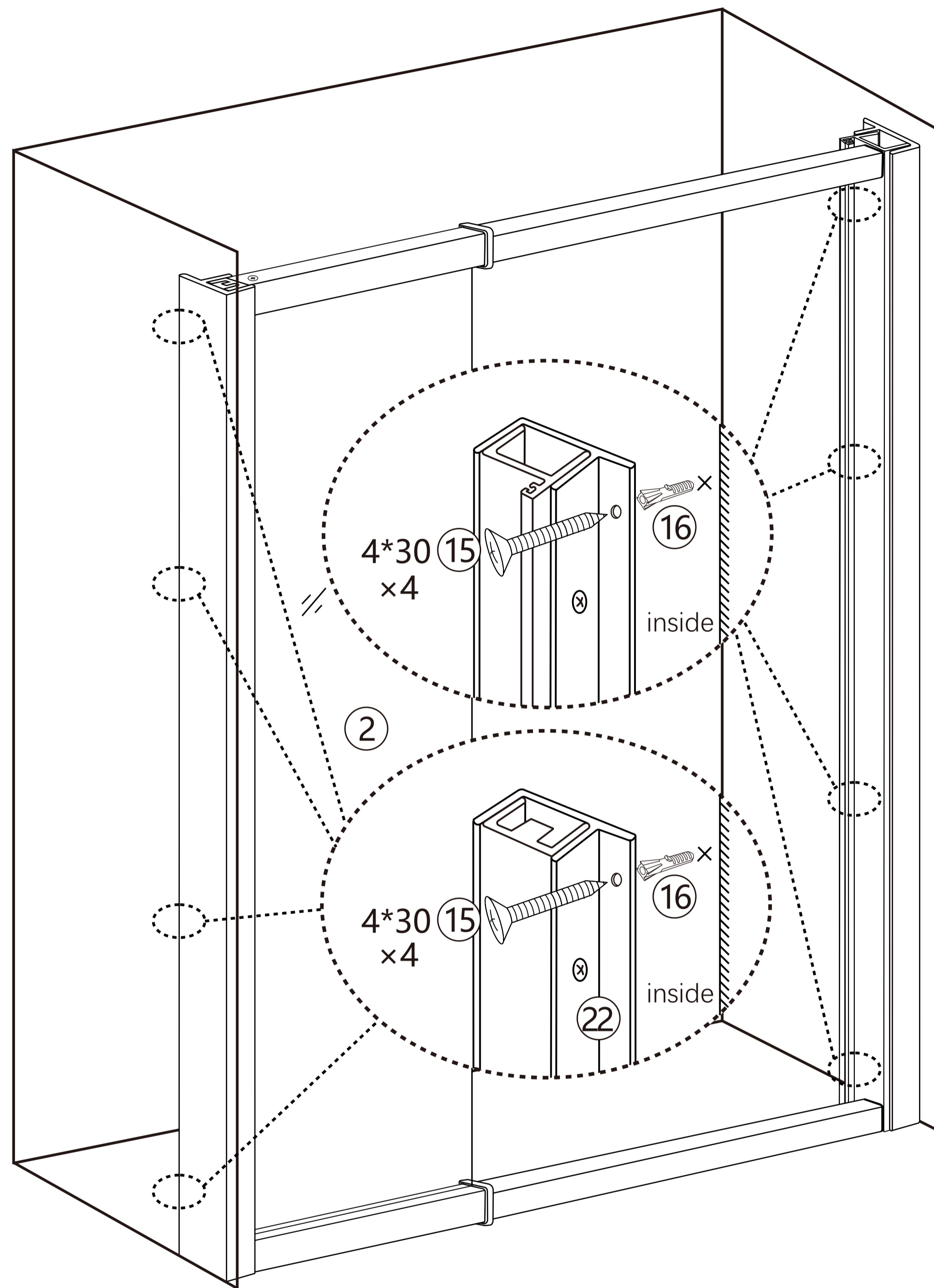
5. Insert Strap (21) into the three sides of Stationary Glass (2) as shown in the picture.



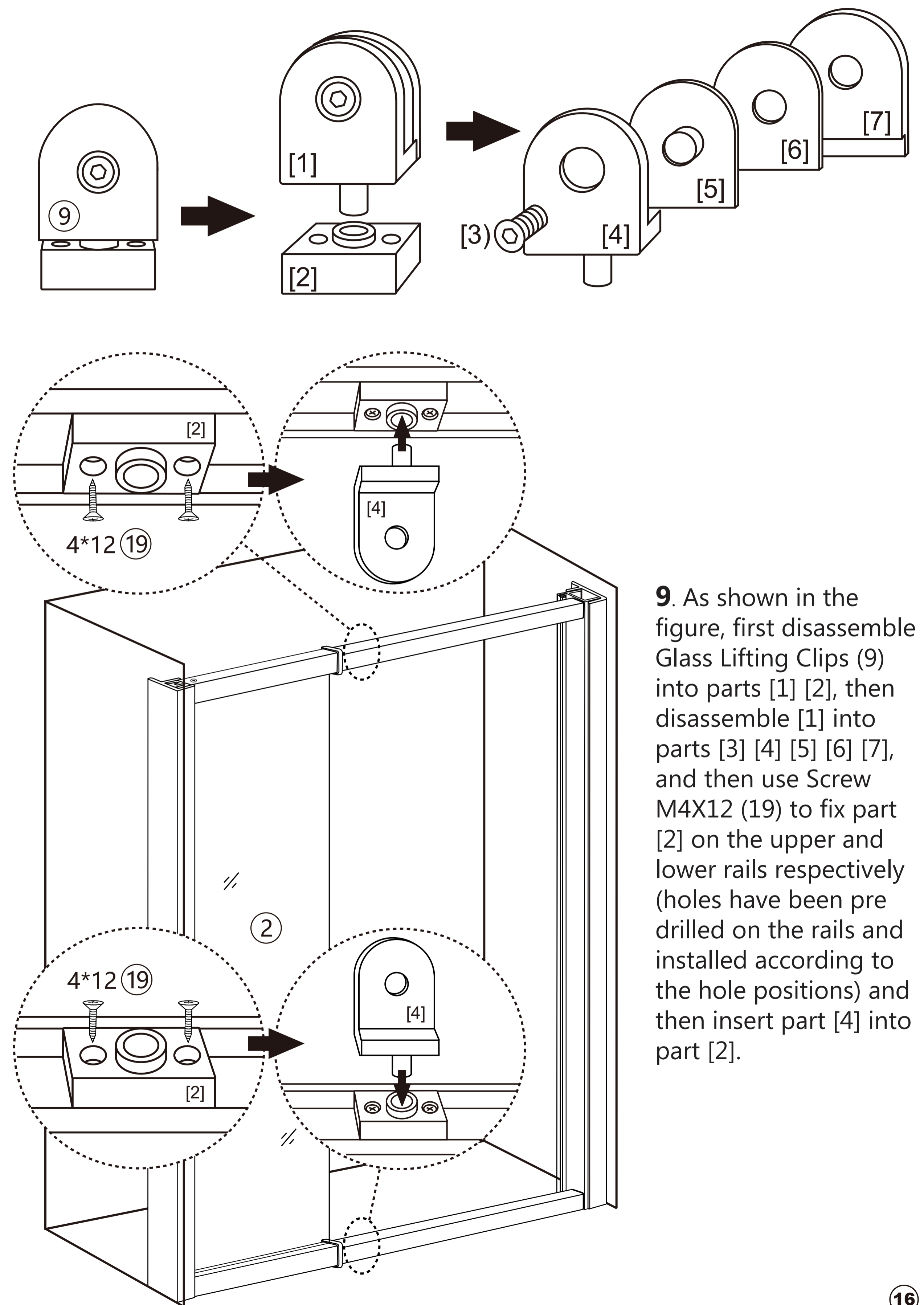
6. Insert Door Magnetic Strip (11) into Door Magnetic Strip Frame (4). Then insert the Door Magnetic Strip Frame (4) and Stationary Glass Frame (5) at both ends into two wall frames (3) respectively.



7. Use Drill Bit $\text{Ø } 1/8''$ (22) to drill 3 holes where Wall Frame (3) overlaps with Door Magnetic Strip Frame (4) and Wall Frame (3) overlaps with Stationary Glass Frame (5). Then, place the two parts of the Decorative Hat (18) in front and behind the Screw M4x10 (17) as shown in the diagram, and then use the Screw M4x10 (17) to fix the Wall Frame (3) and Door Magnetic Strip Frame (4), as well as the Wall Frame (3) and Stationary Glass Frame (5) together.

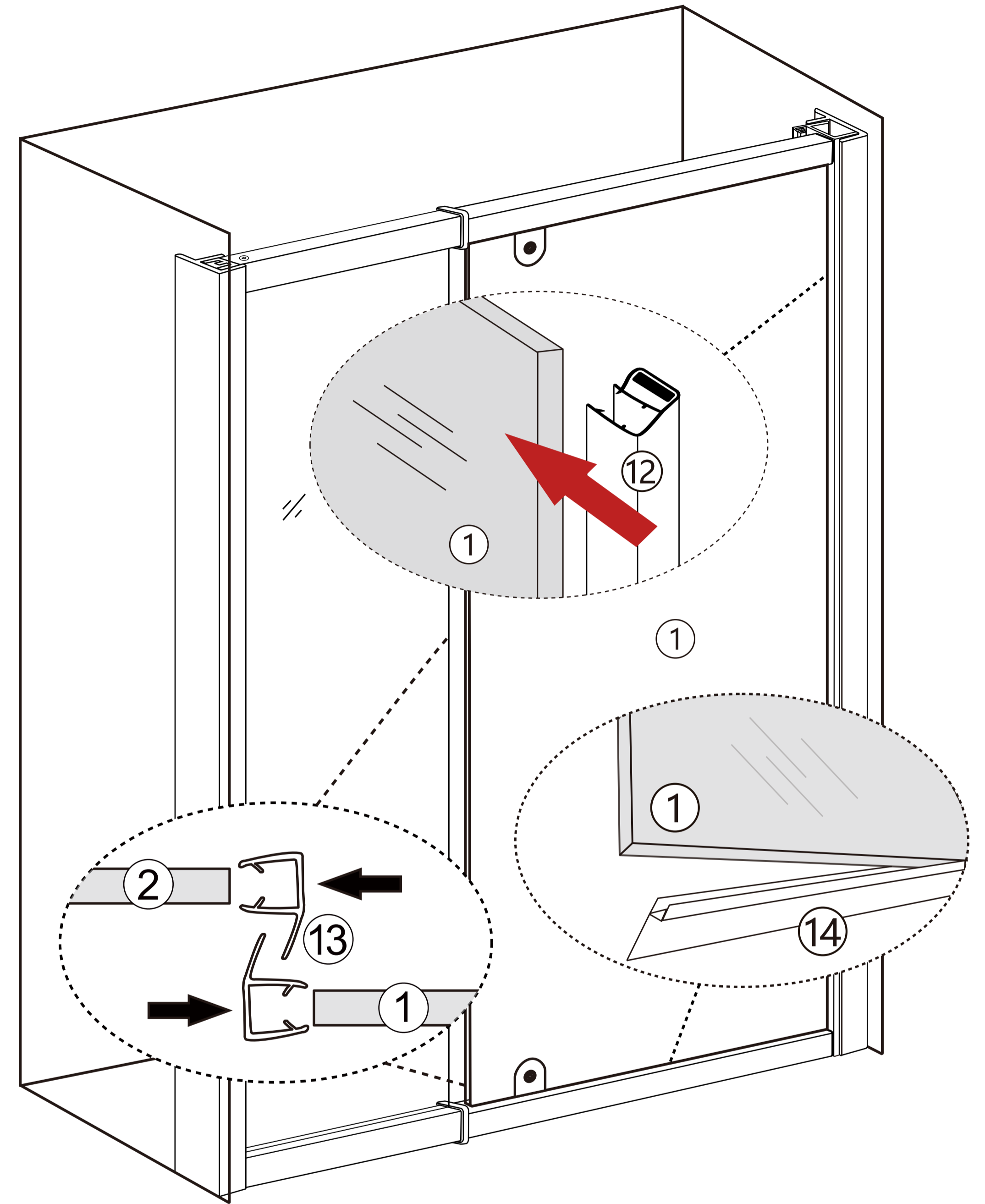
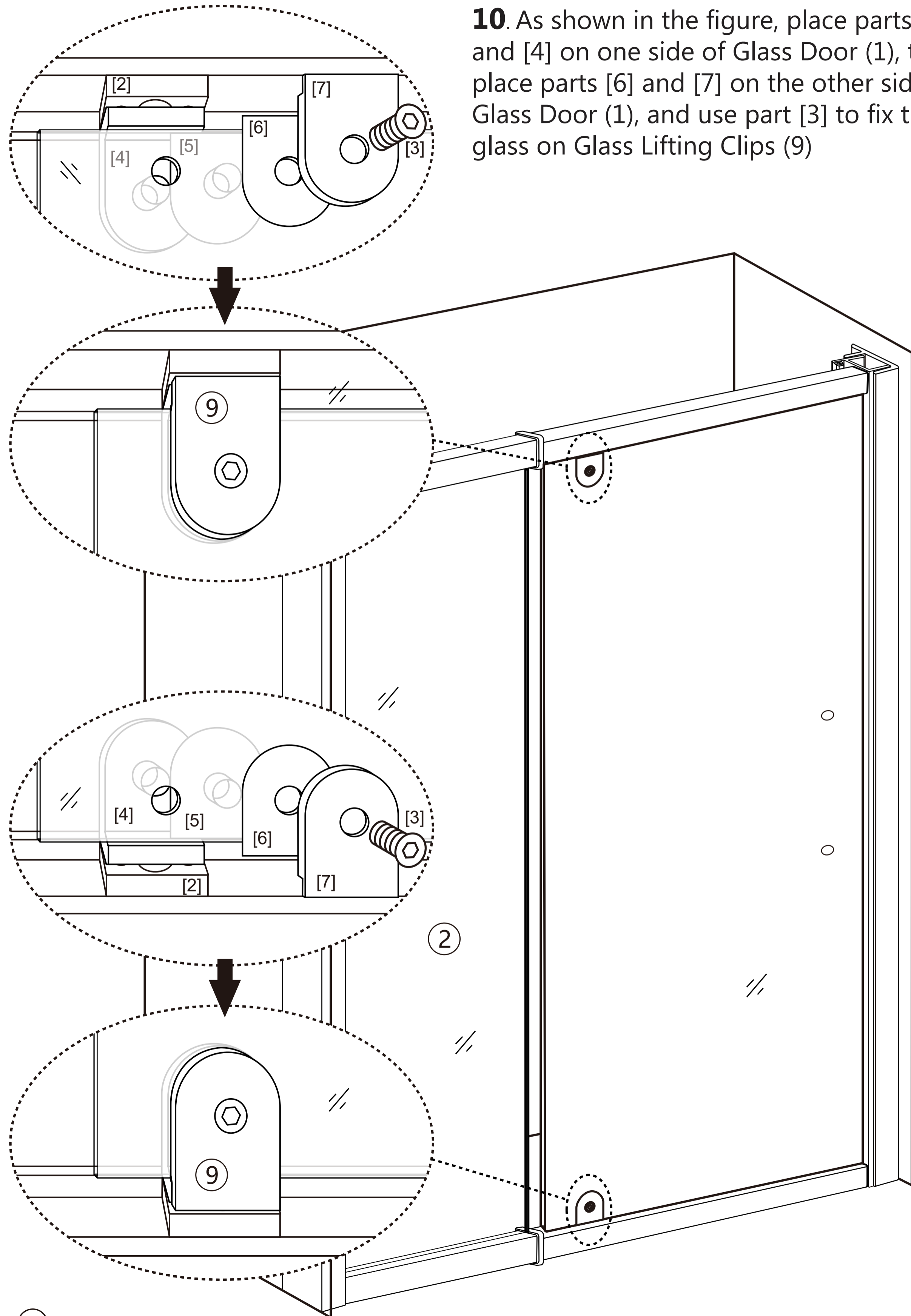


8. After fixing (3) (4) and (3) (5), mark the hole positions on the wall according to the four holes on the side of the Wall Frame (3), then move the assembled part away and use a \varnothing 5/16" drill bit to drill holes at the marked positions. Then insert the Wall Anchor (16) into the holes, and put the assembled part back in place. Use Screw M4x30 (15) to fix the Wall Frame (3) to the wall.



9. As shown in the figure, first disassemble Glass Lifting Clips (9) into parts [1] [2], then disassemble [1] into parts [3] [4] [5] [6] [7], and then use Screw M4X12 (19) to fix part [2] on the upper and lower rails respectively (holes have been pre drilled on the rails and installed according to the hole positions) and then insert part [4] into part [2].

10. As shown in the figure, place parts [5] and [4] on one side of Glass Door (1), then place parts [6] and [7] on the other side of Glass Door (1), and use part [3] to fix the glass on Glass Lifting Clips (9)



11. Then place the Glass Magnetic Strip (12) and Bottom Anti Water Strip (14) on the side and bottom of the Glass Door (1), respectively. Install Side Anti-Water Strip (13) to the side of Glass Door (1) and Stationary Glass (2)