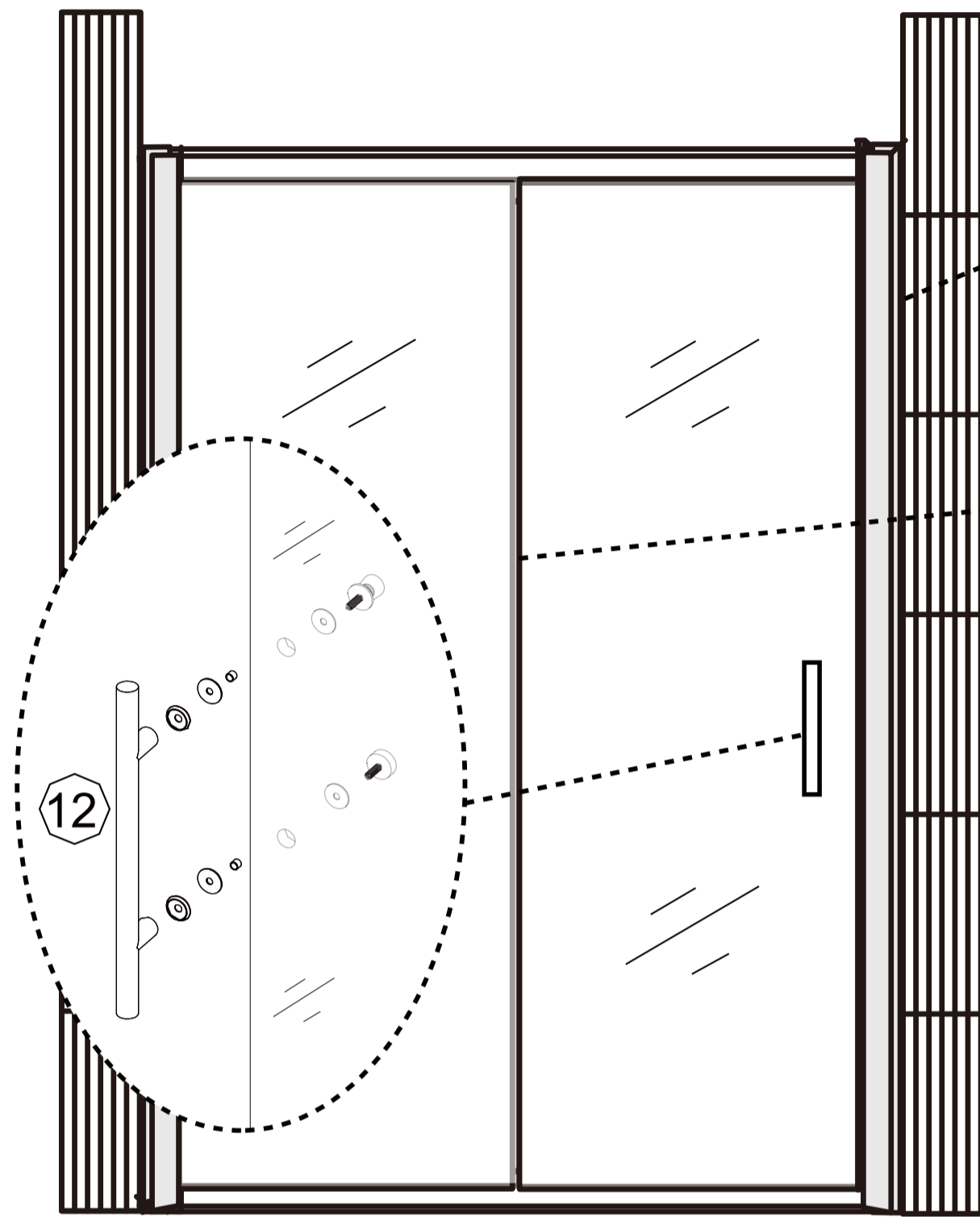
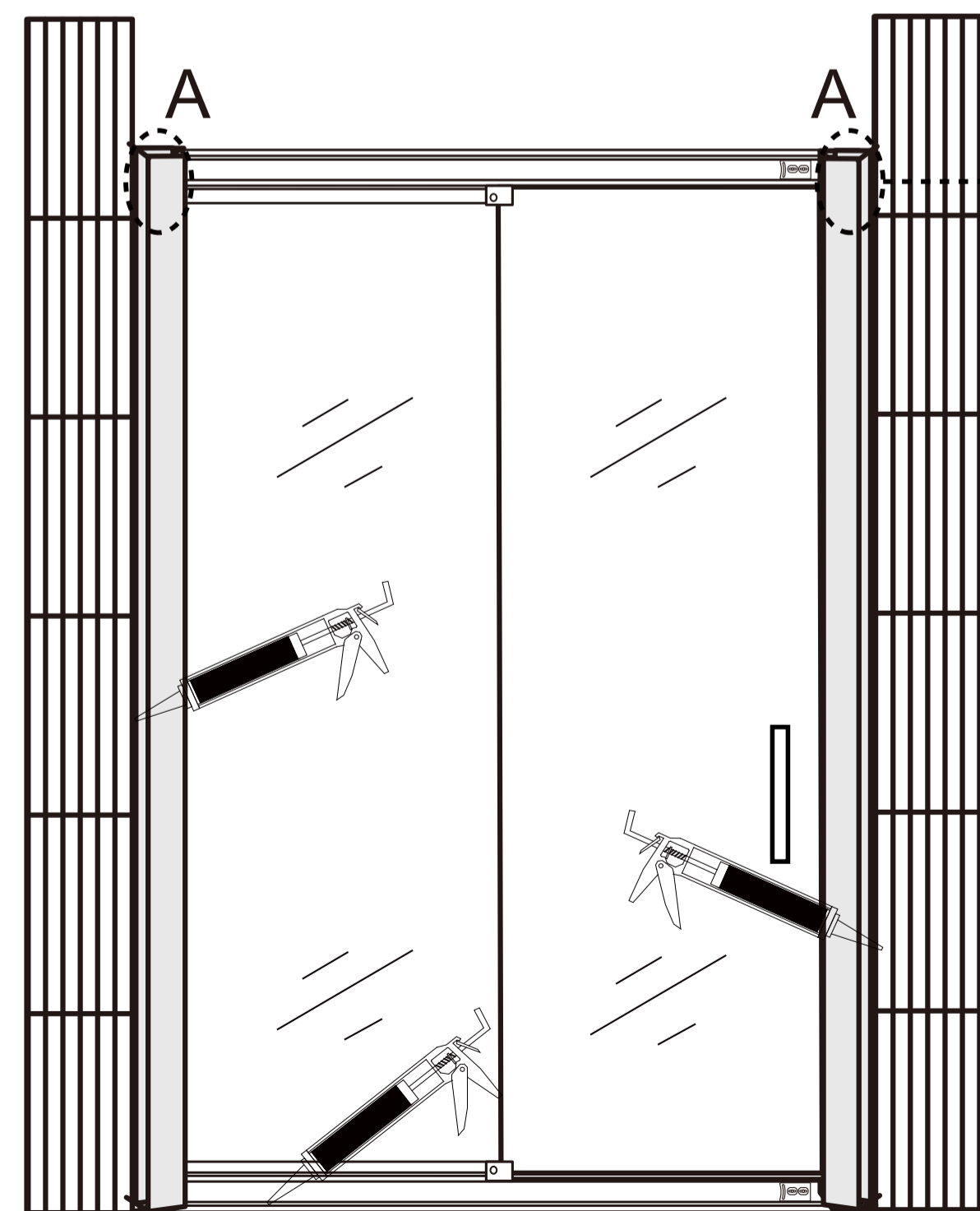


The viewing angle of steps 14 is the front view of the shower door (external view).



14. Install the two Side Anti-Water Strip (9) to the left side of the sliding glass door (1) and the right side of the Stationary Glass (2), install the Door Suction Magnetic Strip (11) to the right side of the sliding glass door (1) (the side against the wall). Install the handle (12).



15. For better solidity, use Ø1/8 Drill Bit punch holes in position A, as shown. Then lock the top Guide Rail Frame (5) and Wall Profile (4) with Screws M4x20 (15).

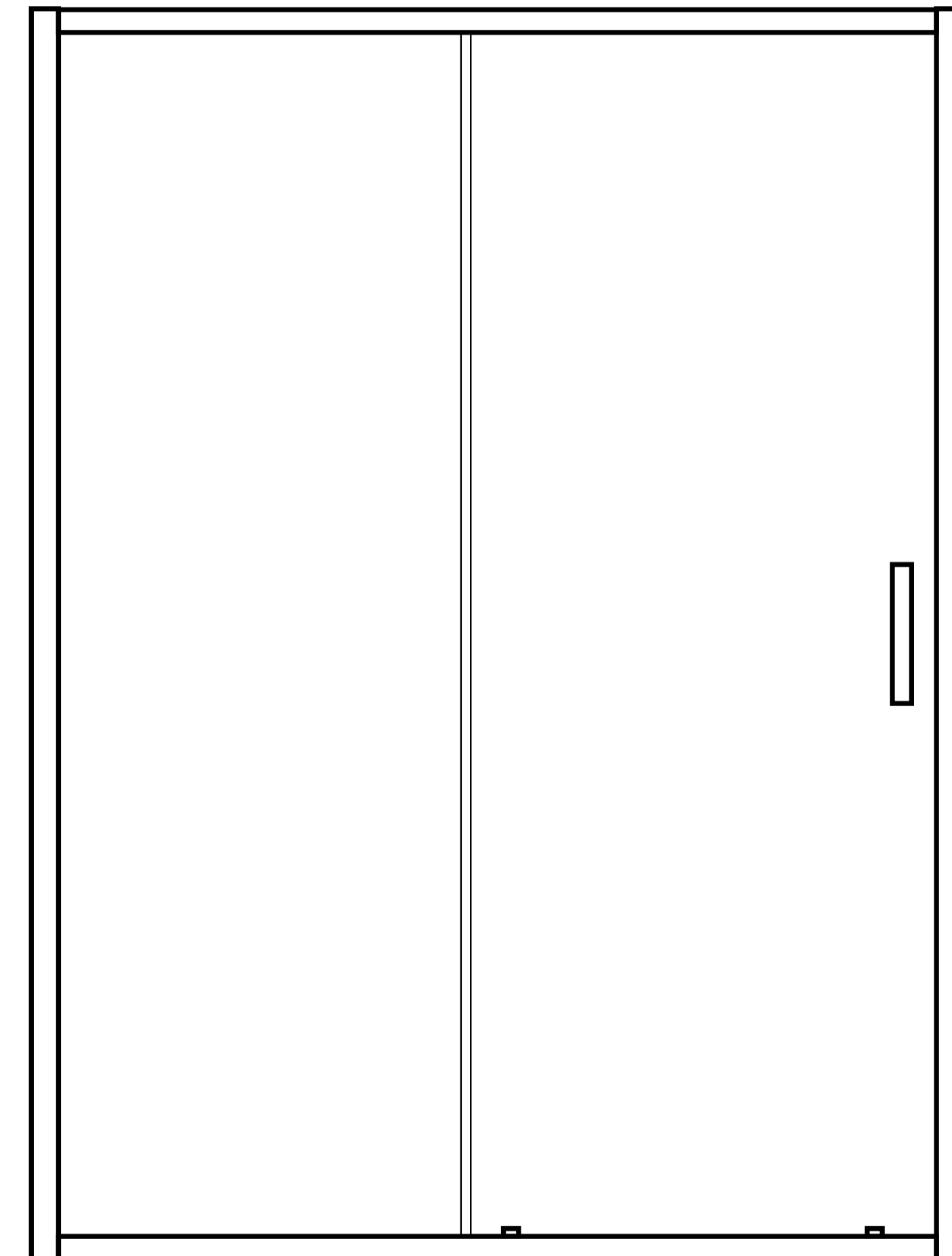
Apply silicone sealant on the seams between the bottom Guide Rail and the shower base and between the wall and left and right Wall Profile. The silicone must be allowed to dry for 24 hours before use.

# INSTALLATION INSTRUCTIONS

SHOWER DOOR

**DELAVIN**

**B202**



E-MAIL: [service@delavinhome.com](mailto:service@delavinhome.com)



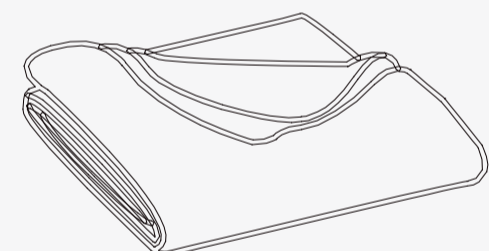
Please read all instructions carefully before installation.



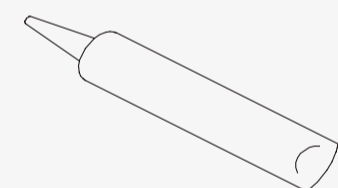
Due to the complexity of the installation process, professional personnel are recommended.

## Tools Required

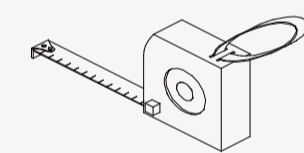
Other tools may be required



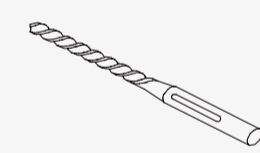
Soft Cloth or Blanket



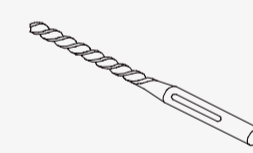
Caulk



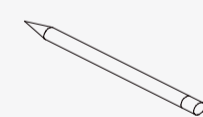
Tape Measure



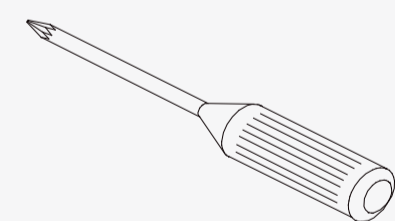
Drill Bit  
(Ø = 1/8")



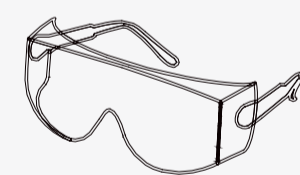
Drill Bit  
(Ø = 1/4")



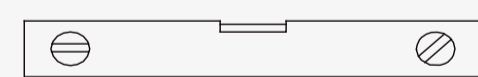
Pencil



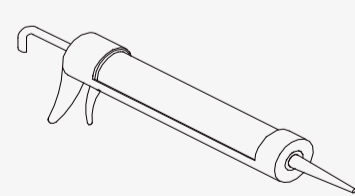
Phillips Screwdriver



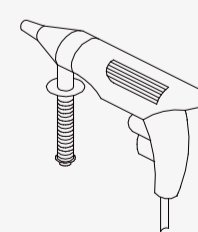
Safety Glass



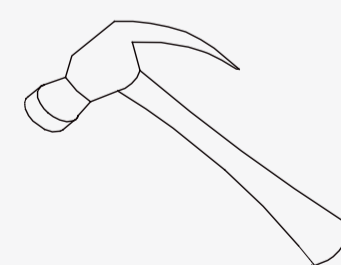
Level



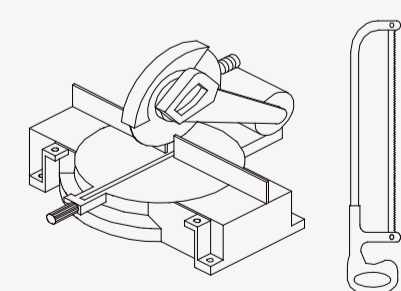
Caulk Gun



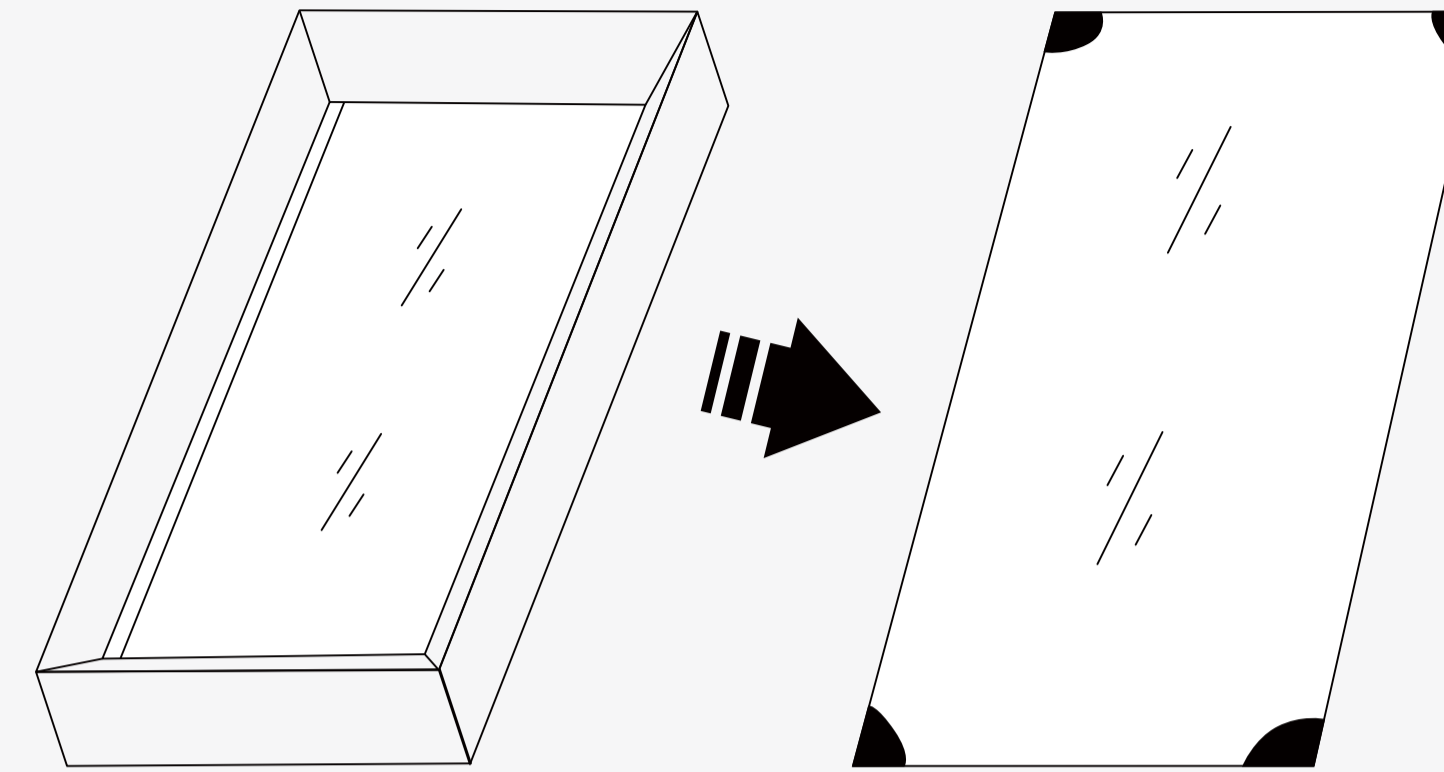
Drill



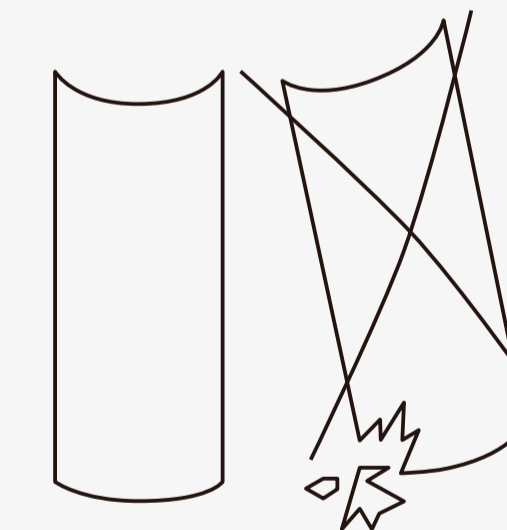
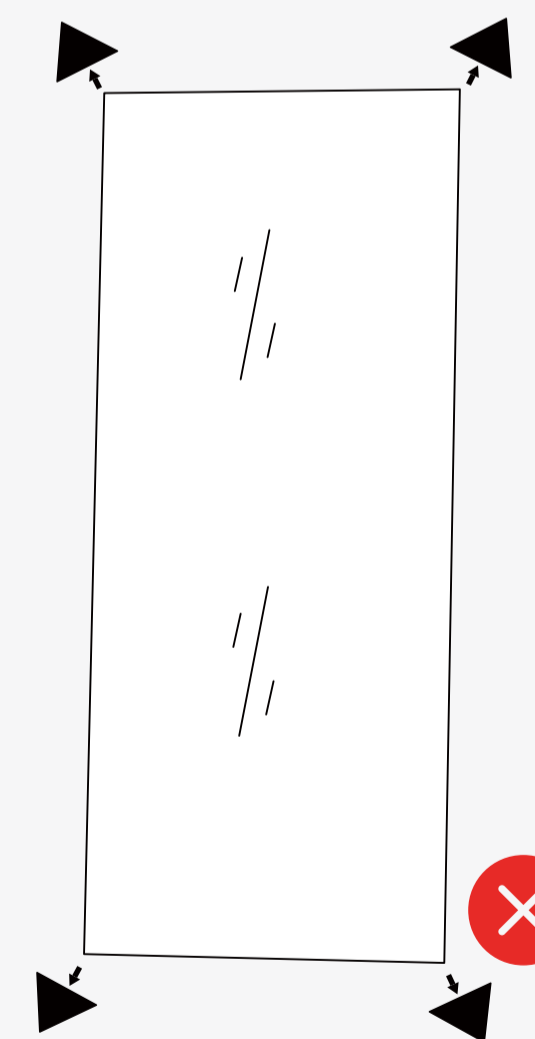
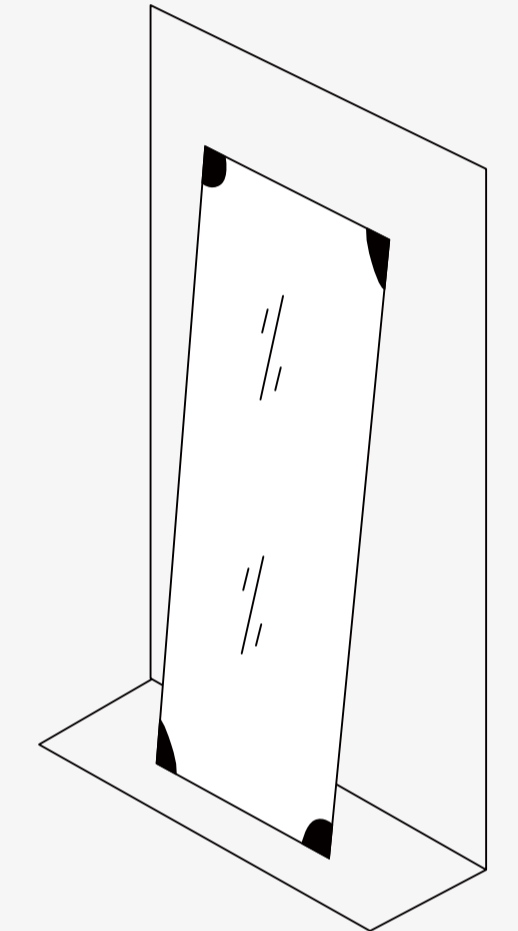
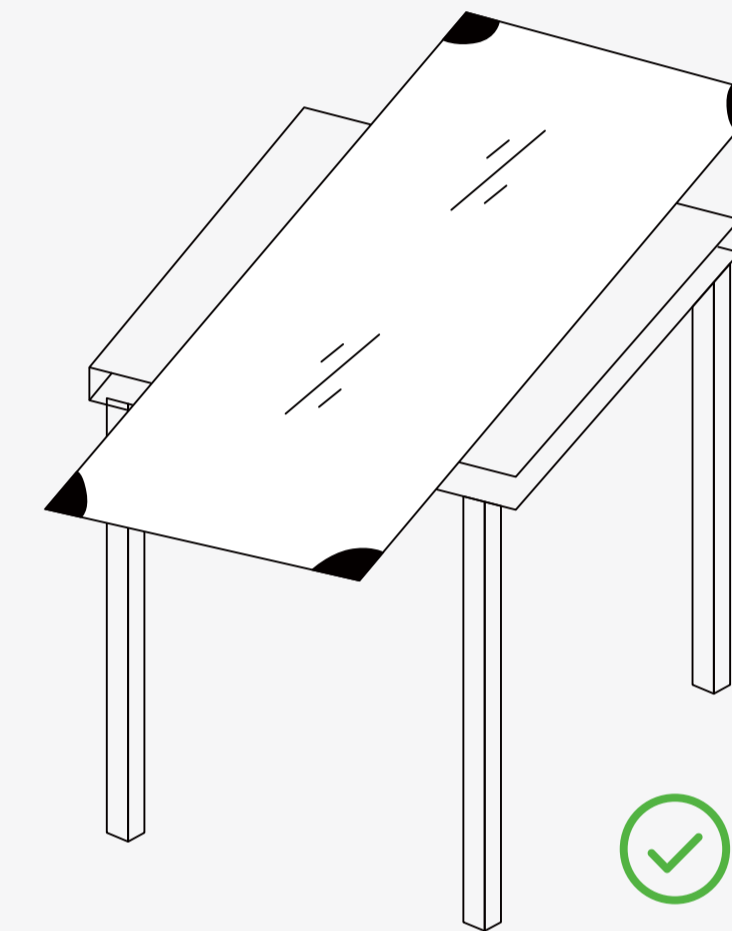
Hammer



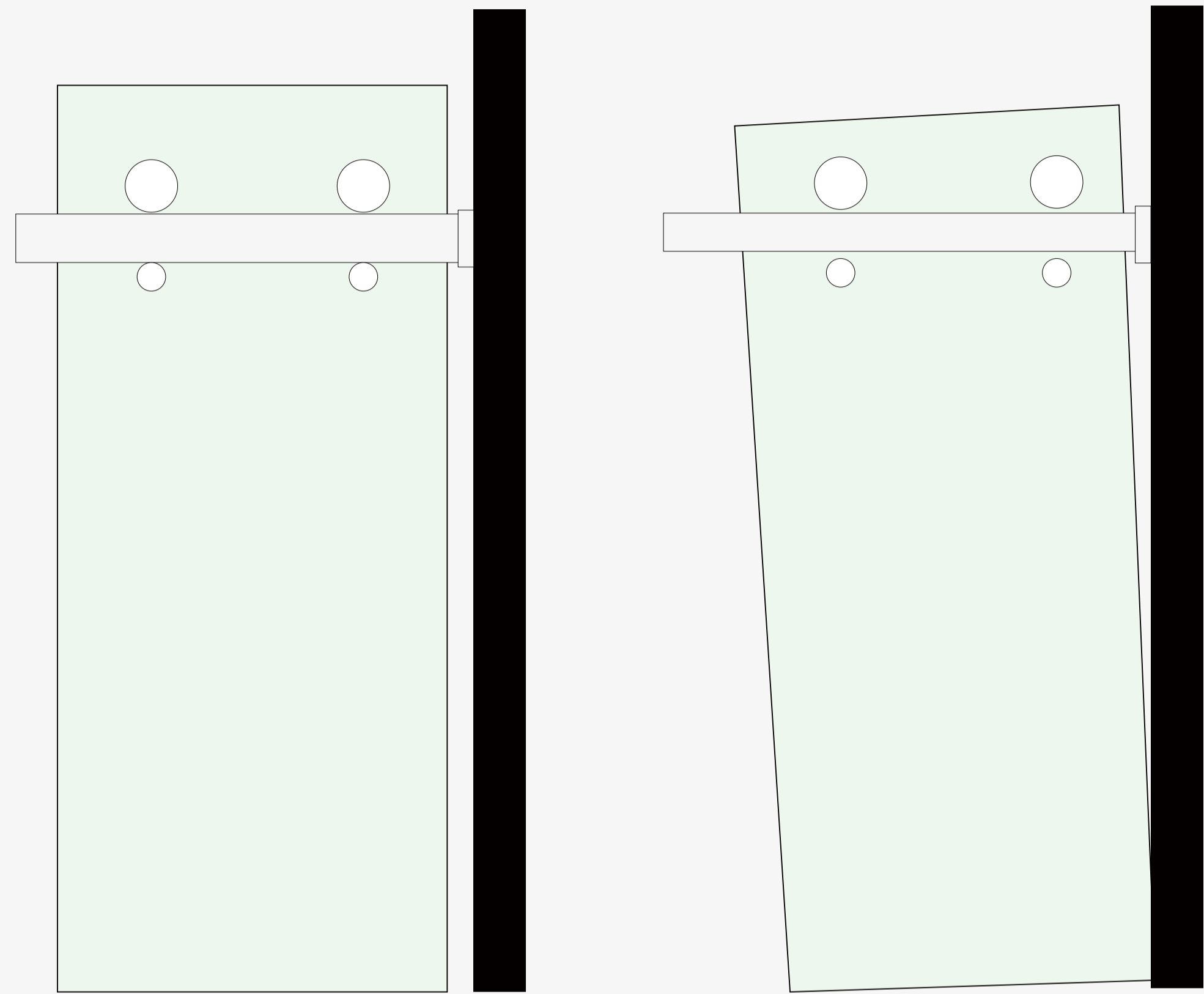
Mitter Saw or Hacksaw



Be careful when moving the glass and properly place the glass.

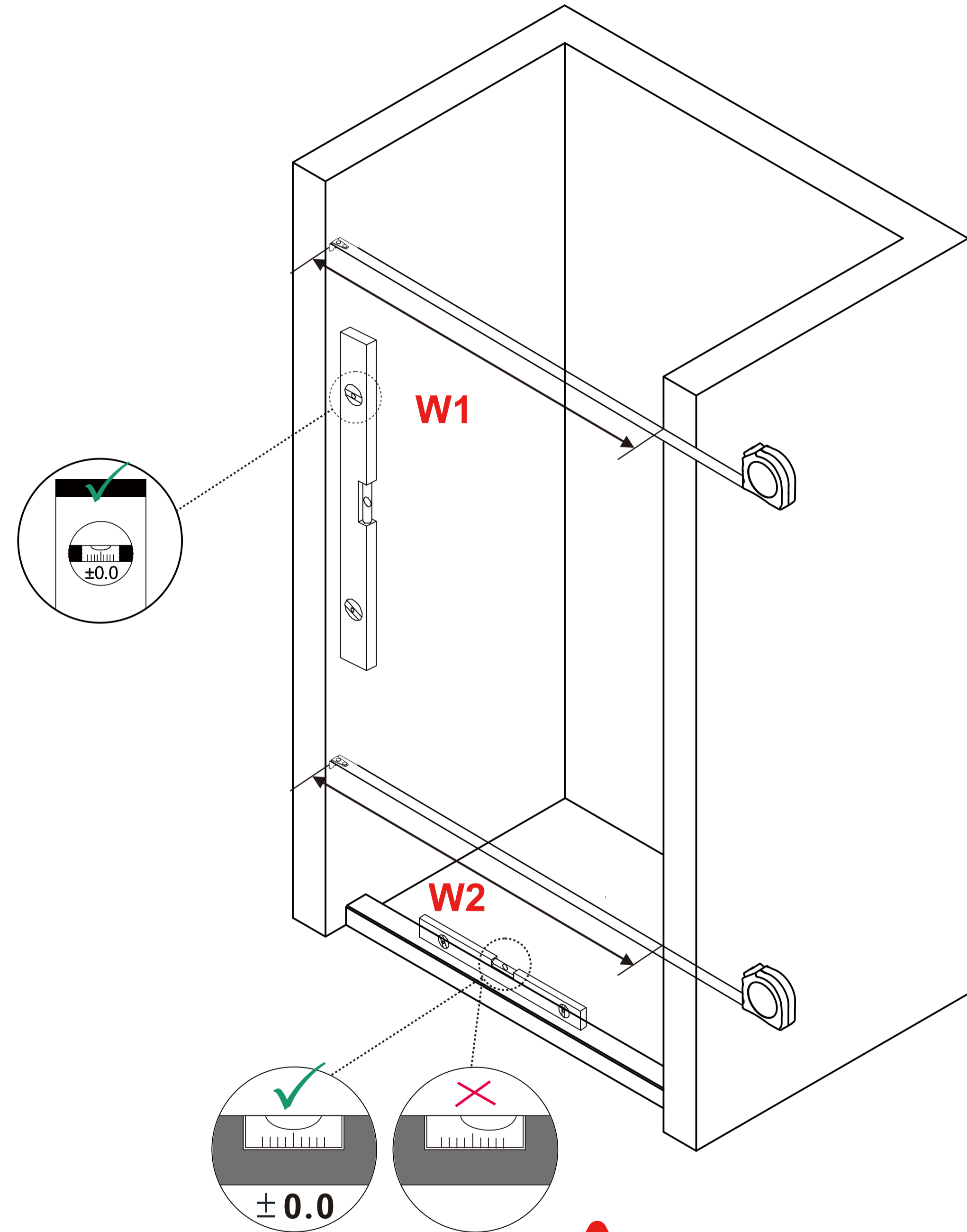


Do not remove the corner guard in advance.  
Do not let the corners of the glass collide with a hard surface.  
Do not drill glass with a drill bit.




The glass needs to be ensured to be level and vertical.

 Make sure that the wall and the base are level.



**W1=W2**

 Measure the Width of W1 and W2 carefully, make sure the width of the upper and lower walls is consistent before installation.

**IMPORTANT SAFTY INFORMATION**



**PLEASE READ WARNINGS**

Improper use can cause safety hazards, or damage to your product and your home.

Warning	Do	Don't
Serious injury may occur.	<ul style="list-style-type: none"> <li>Assemble following all instructions using all indicated parts and hardware provided.</li> <li>This product must be installed by an adult. Keep children and animals away While installing the product.</li> <li>Improperly assembling or positioning the product may be dangerous.</li> </ul>	<ul style="list-style-type: none"> <li>Do not move unit when loaded.</li> <li>Do not attempt to install it alone, as the product is relatively heavy and prone to damage and injury.</li> </ul>

**Get Ready to Assemble**

**For best results, keep these tips in mind:**

- ① We know you want to finish this assemble as quick as possible, but trust us: you'll have a better experience if you take it one step at a time.
- ③ Give yourself some space to work near where you want to put this product

- ② We strongly recommend that this product be installed by a licensed and insured professional contractor, including the assistance of a second person during installation.
- ④ If your floor isn't carpeted, assemble this product on the empty carton to avoid scratching.

**DO**

- ✓ After unpacking, verify that all parts are included using the Shower Door Components Detail Sheet and check for shipping damage. If there are issues, contact customer support.
- ✓ Consult local building codes if you're unsure about installation compliance.
- ✓ Ensure the installation surface is level, solid, and can support the unit's weight, and that walls are at right angles.
- ✓ Protect all major surfaces of the product during installation.

**DON'T**

- ✗ Irregular mounting surface levels or improper angle of side walls will cause serious problems during installation.
- ✗ Never place glasses directly on tile floors. Leave the corner protector in place until it needs to be removed.
- ✗ Do not attempt to use this product before all steps have been completed.
- ✗ Do not install the product directly, please make sure that all accessories are included and there is no damage.

**Consumer Service**

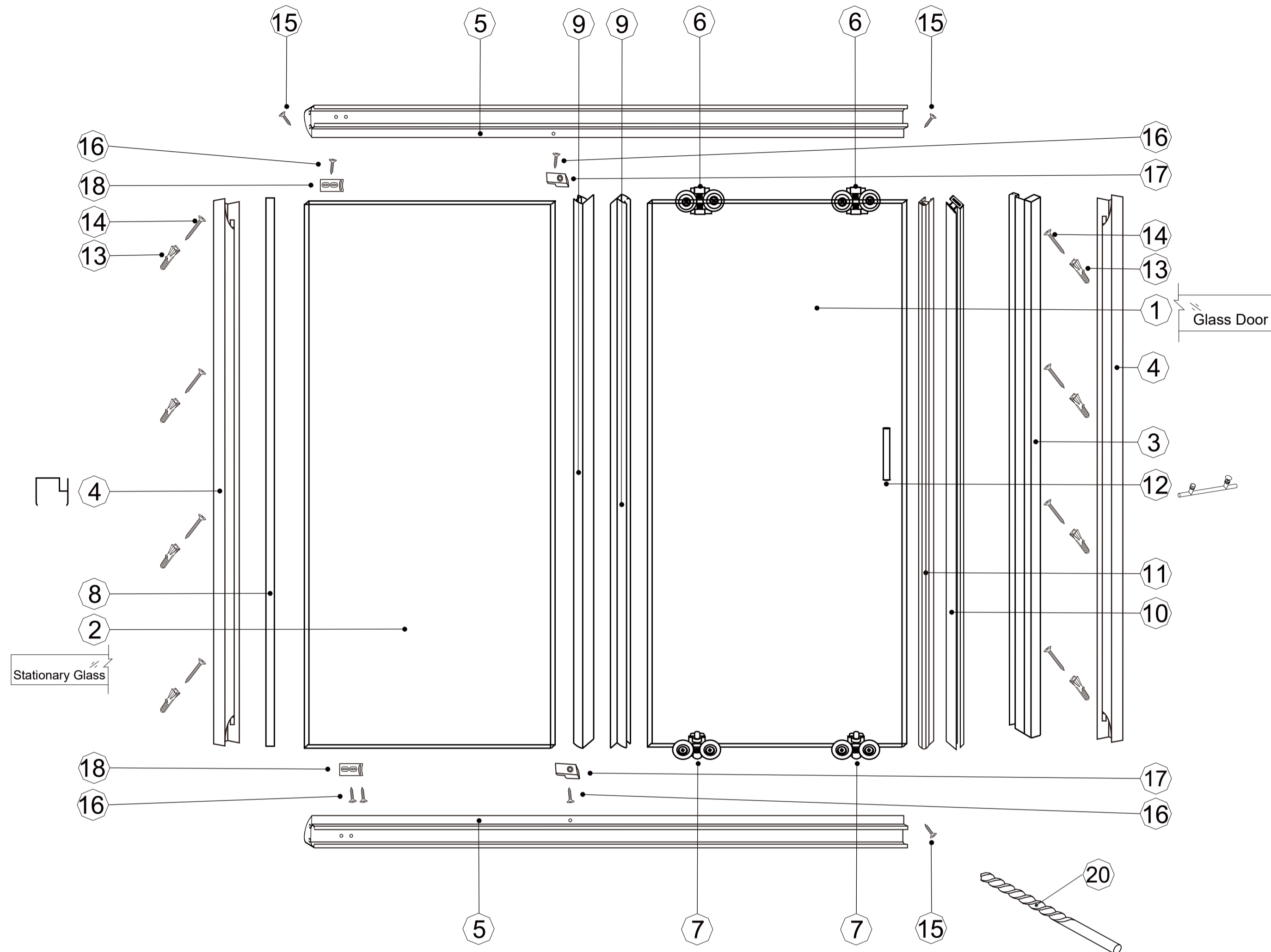
If necessary, to quickly free replace damaged/missing parts. Simply have your order ID, instruction manual, and part number/description ready when you write an email to us. It's that easy.



**Contact us**

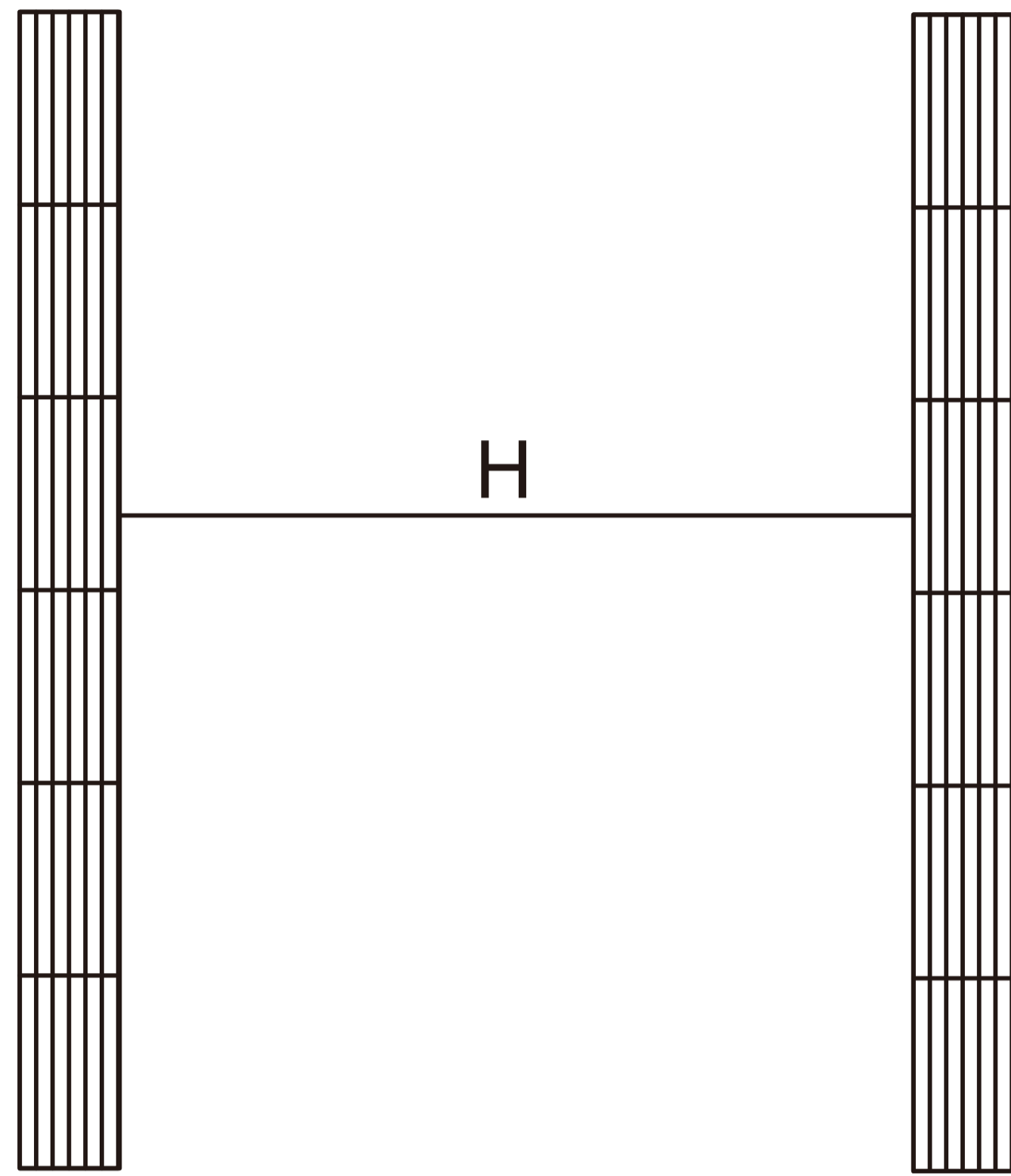
Monday to Sunday (Except holidays)  
We will respond within 24 hours.

**E-MAIL:**  
[service@delavinhome.com](mailto:service@delavinhome.com)



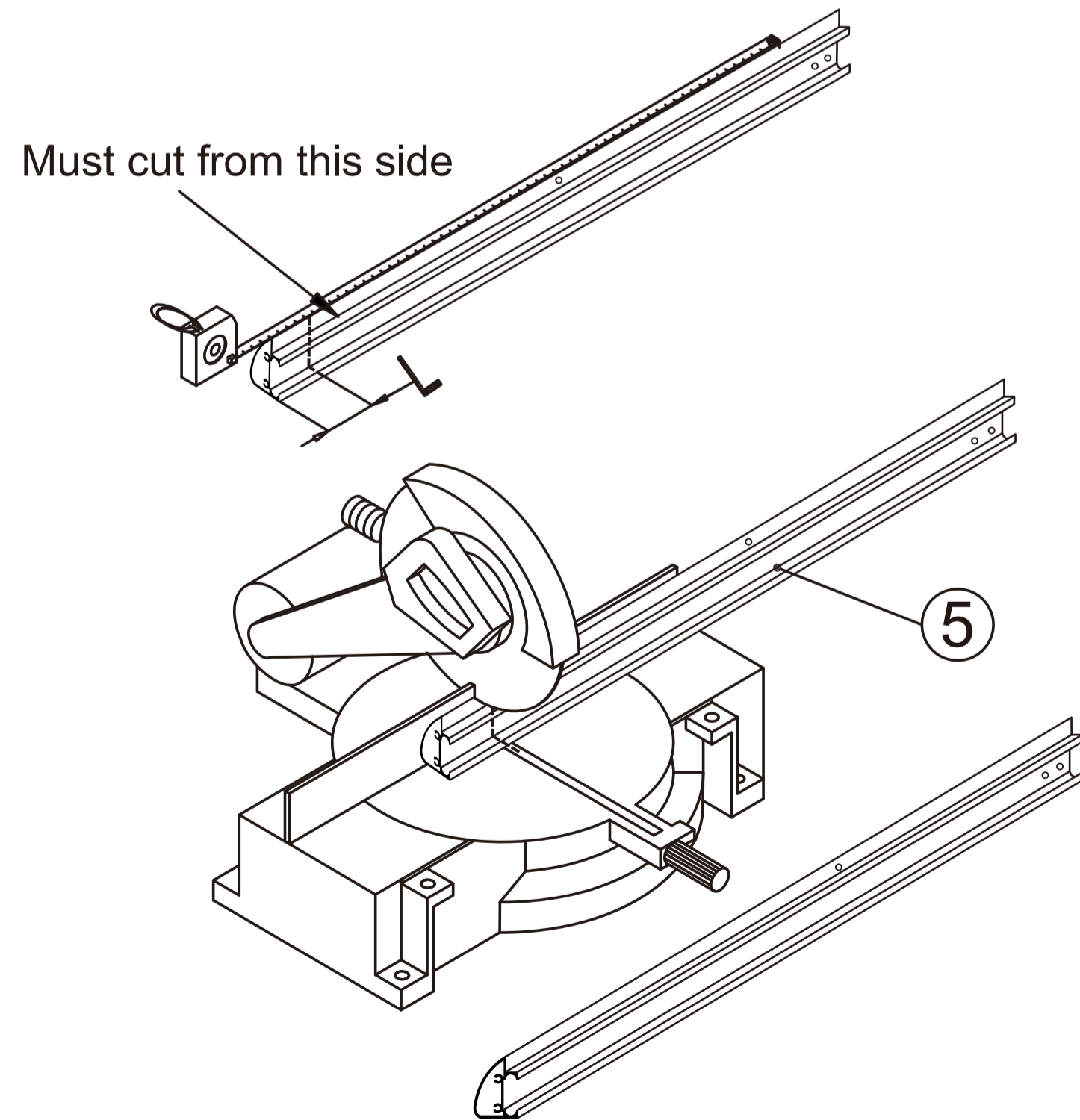
No.	Description	QTY	No.	Description	QTY
1	Glass Door	1 pc	11	Door Suction Magnetic Strip	1 pc
2	Stationary Glass	1 pc	12	Handle	1 set
3	Aluminium for suction magnetic strips	1 pc	13	Wall Anchor	8 pcs
4	Wall Profile	2 pcs	14	Screw M4X30	8 pcs
5	Guide Rail	2 pcs	15	Screw M4X20	2 pcs
6	Top Pulley	2 pcs	16	Screw M4X10	6 pcs
7	Bottom Pulley	2 pcs	17	Pressing block	2 pcs
8	Strap	1 pc	18	Positioning block	2 pcs
9	Side Anti-Water Strip	2 pc	19	Decorative cap	2 pcs
10	Suction Magnetic Strip	1 pc	20	Driller φ1/8"	1 pc

**TEAR OFF THE GLASS PROTECTIVE FILM BEFORE INSTALLATION**

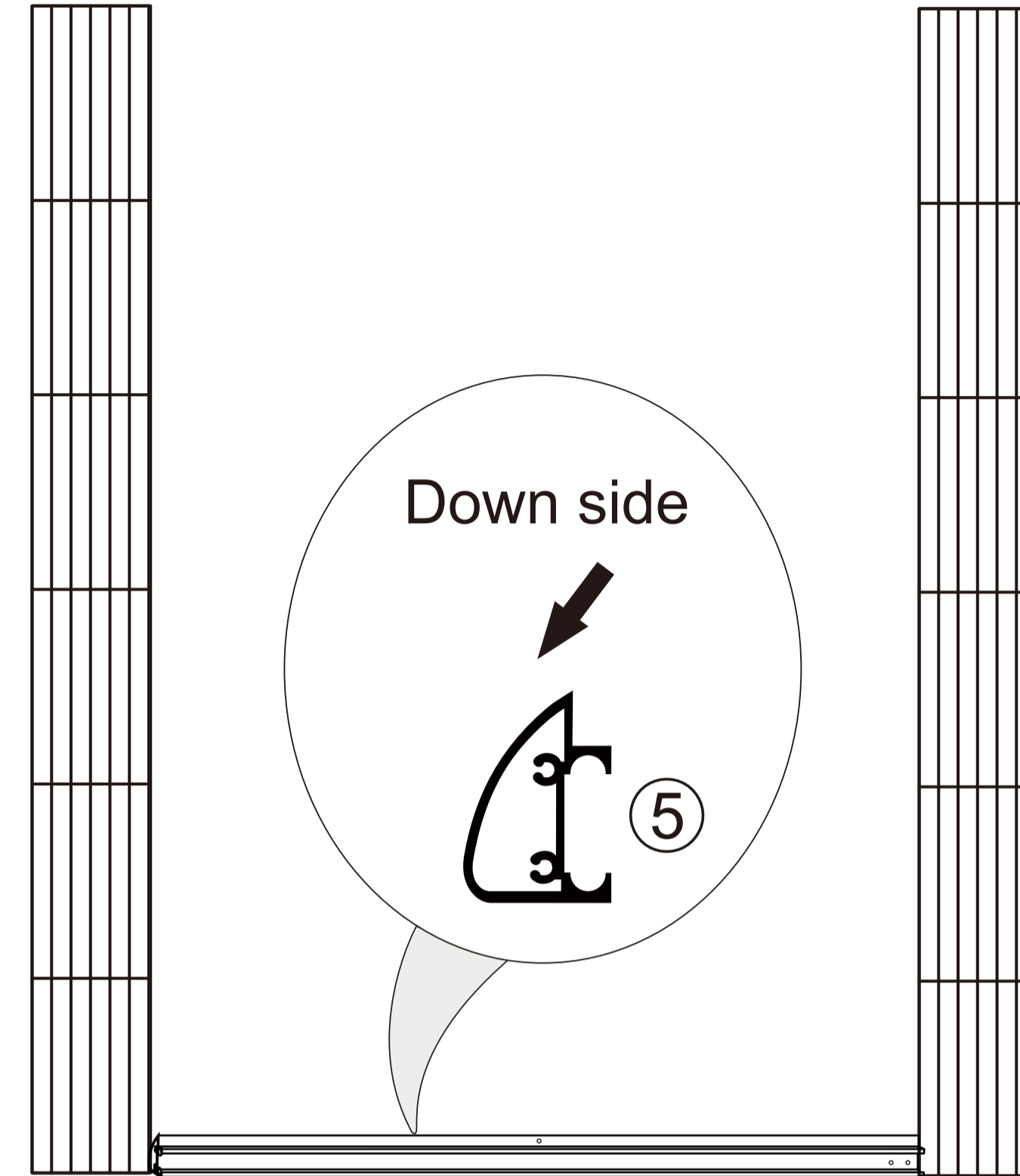


1. Before installation, measure the distance H between the two walls, if it is just equal to 60" then it can be installed directly

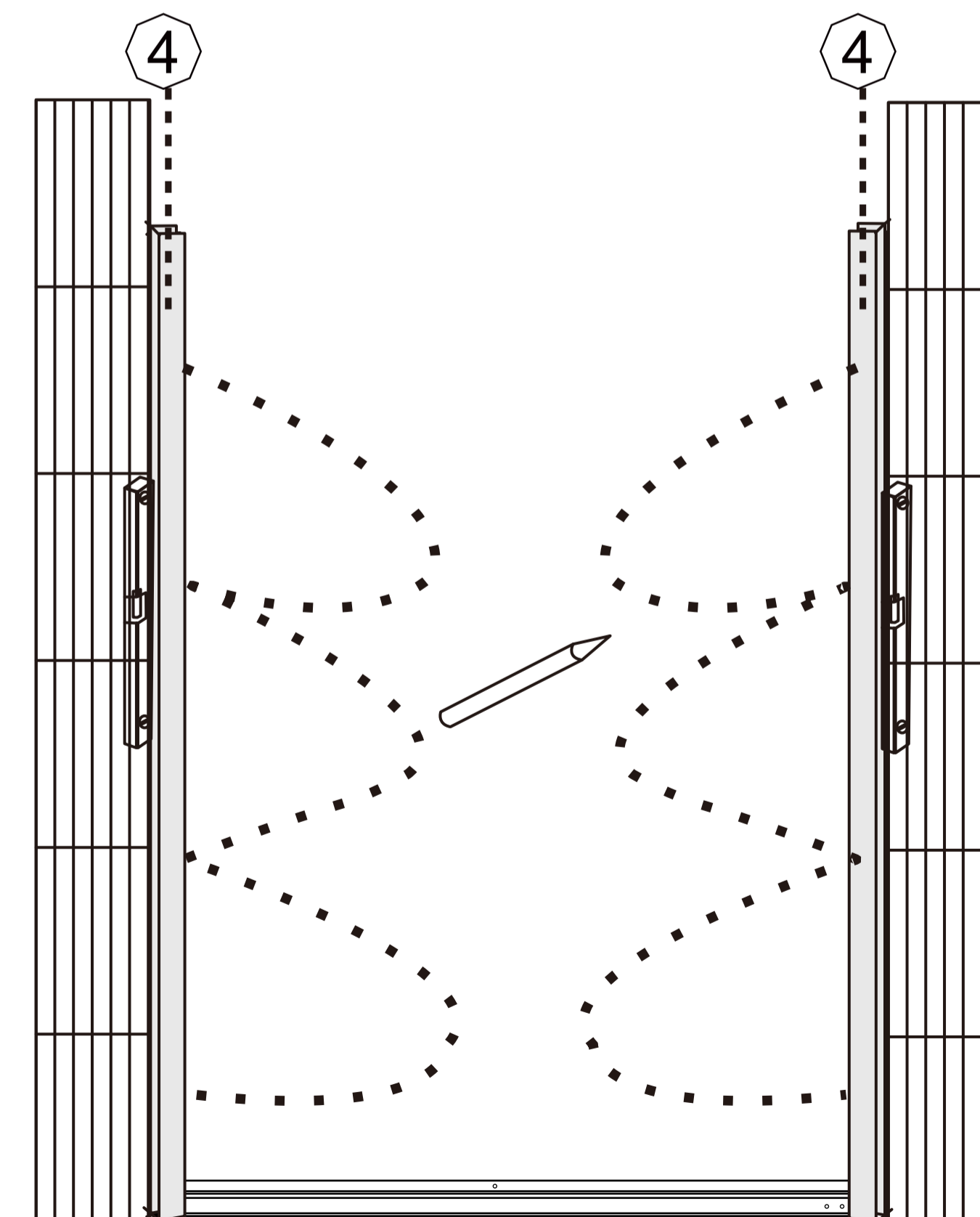
If the measured dimension H is less than 60", then the Guide Rail(5) should be cut off by the length of (60"-H) (cut the side of Guide Rail(5) without holes).



FOR EXAMPLE  
If your wall opening H=59".  
Your shower model is 60"  
 $L=60"-59"=1"$   
You have to cut 1" off from the rail.

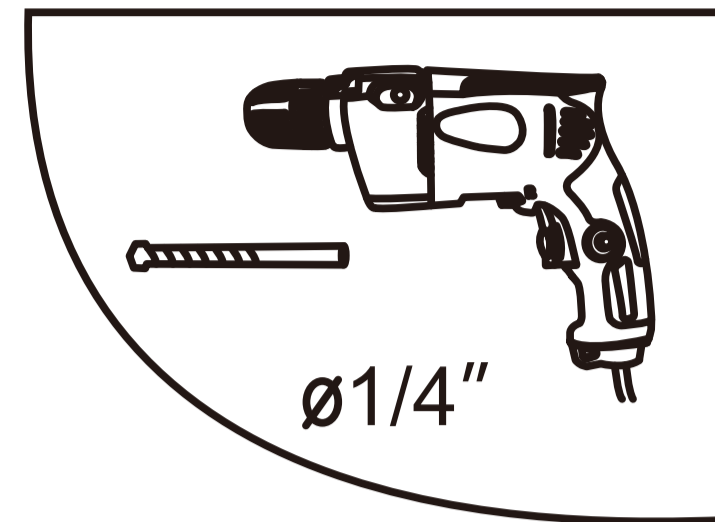
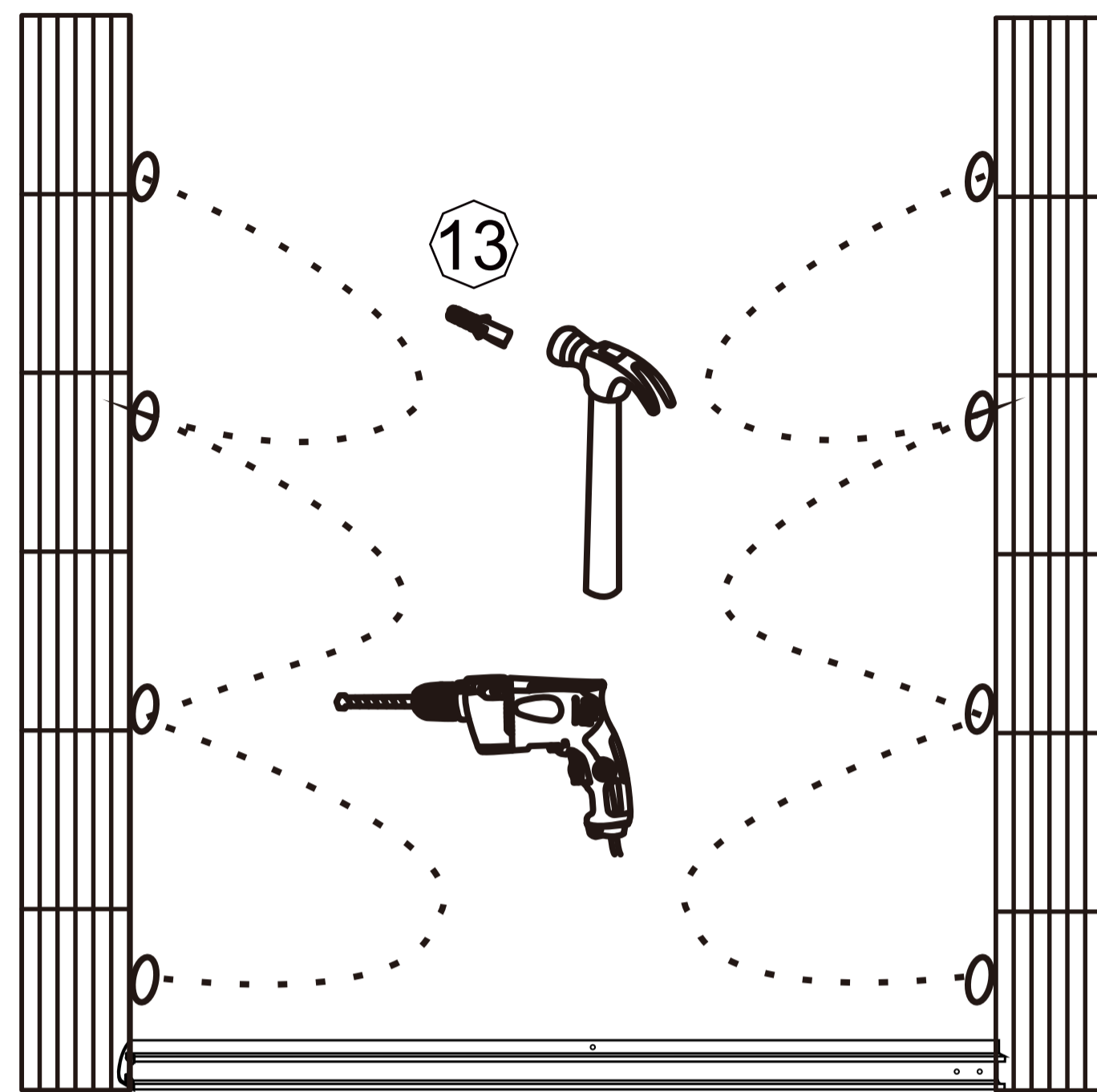


2. Place the Guide Rail (5) horizontally. The side with the hole in the rail is the fixed glass position, so you can determine the direction of the door opening during installation by using the hole in the rail. (Example: If you need to open the door on the right, then please put the side of the guide rail with holes on the left)

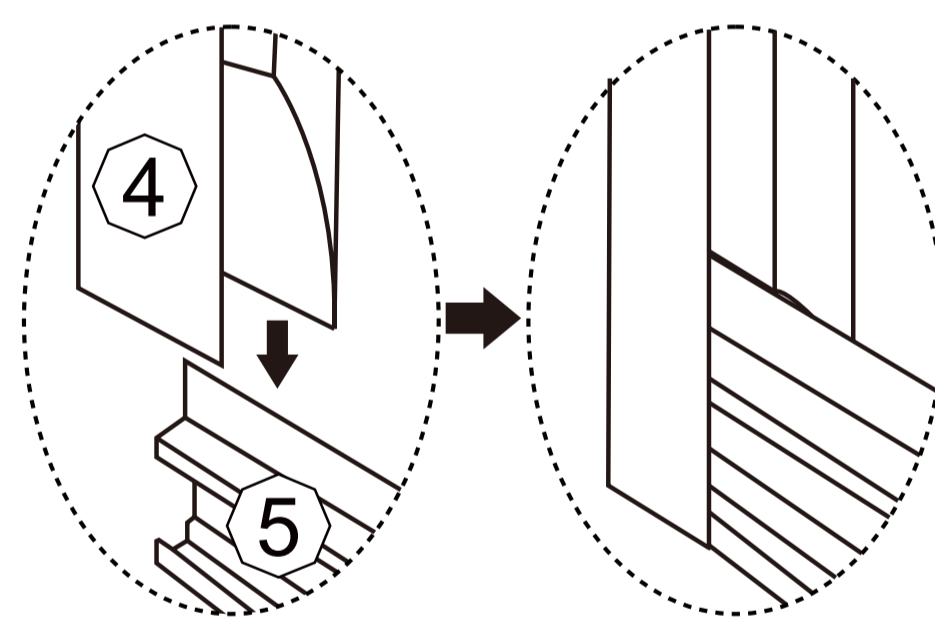
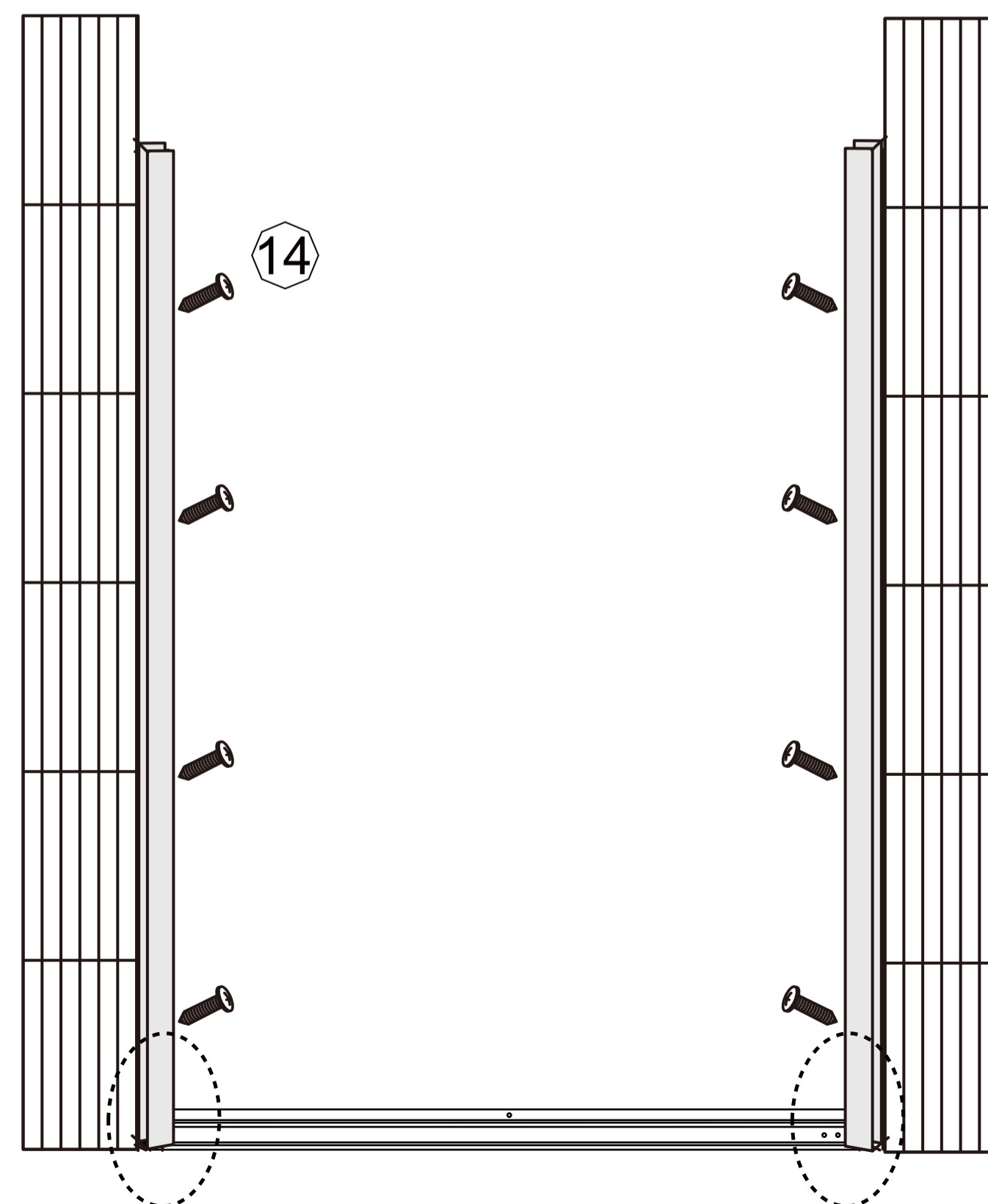


Note:  
The viewpoints of the following installation steps (2-13,15) are all based on the inside of the reverse side  
Steps 14 show the front of the shower door.

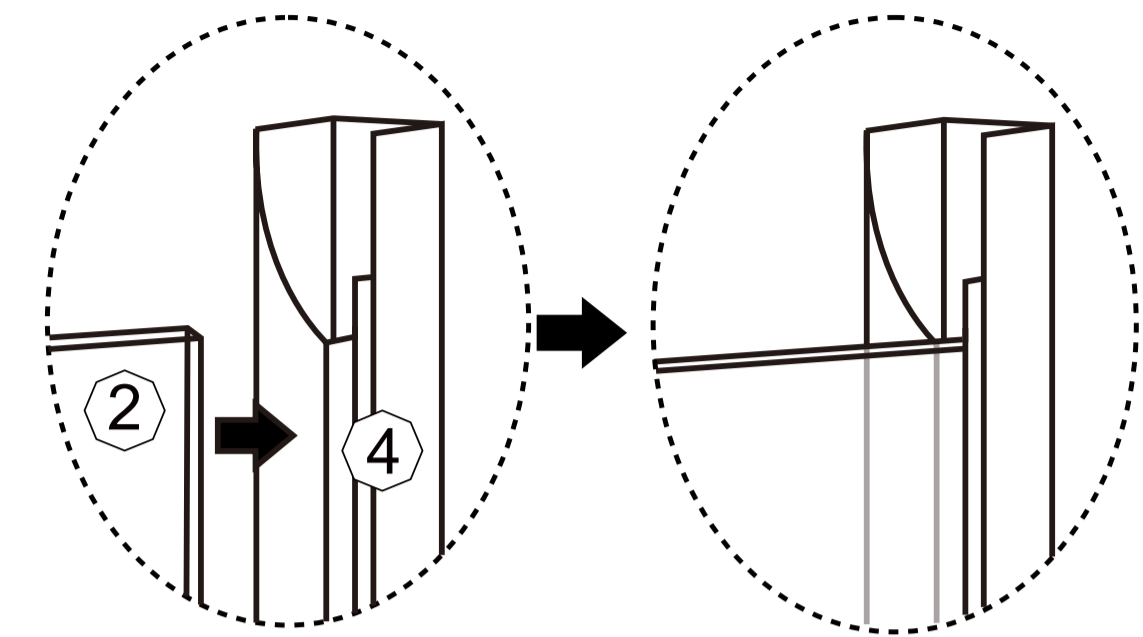
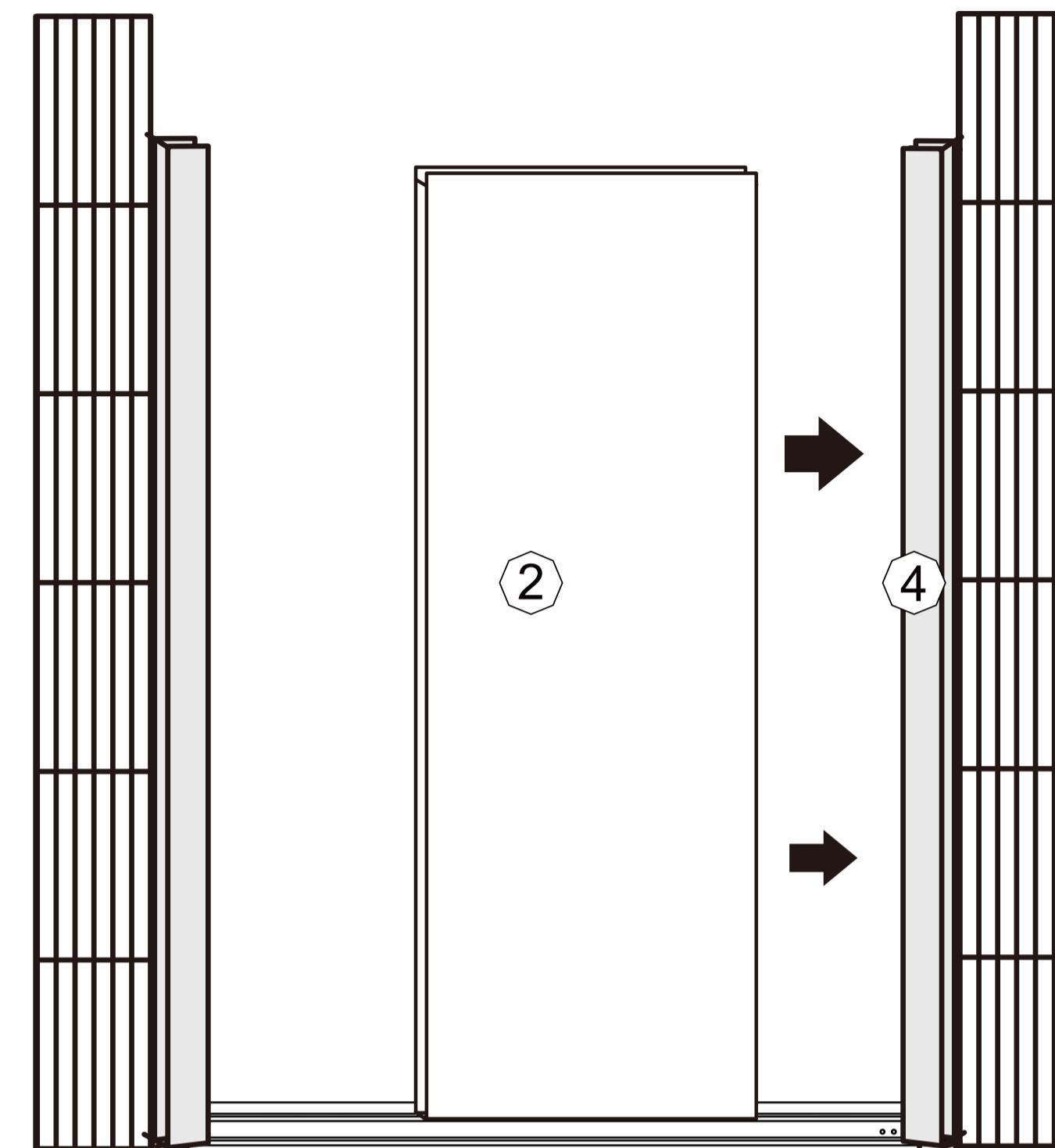
3. Place the left and right wall profiles (4) vertically on the bottom guide rail (5), and mark the perforation location.



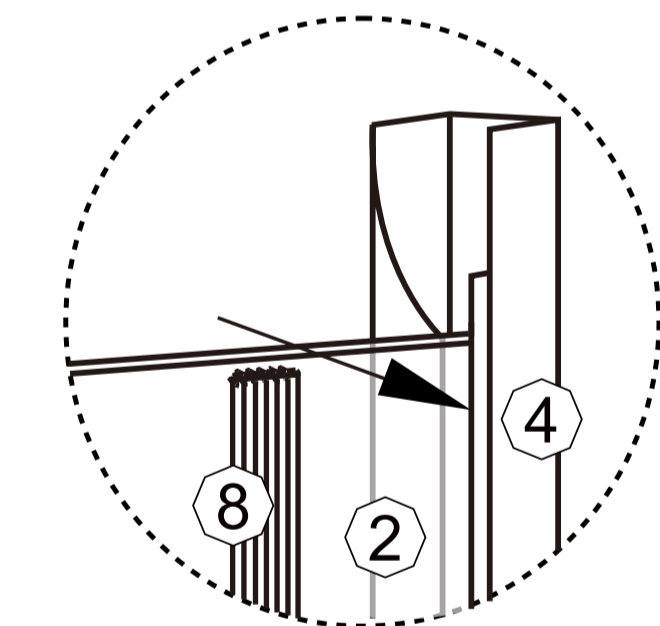
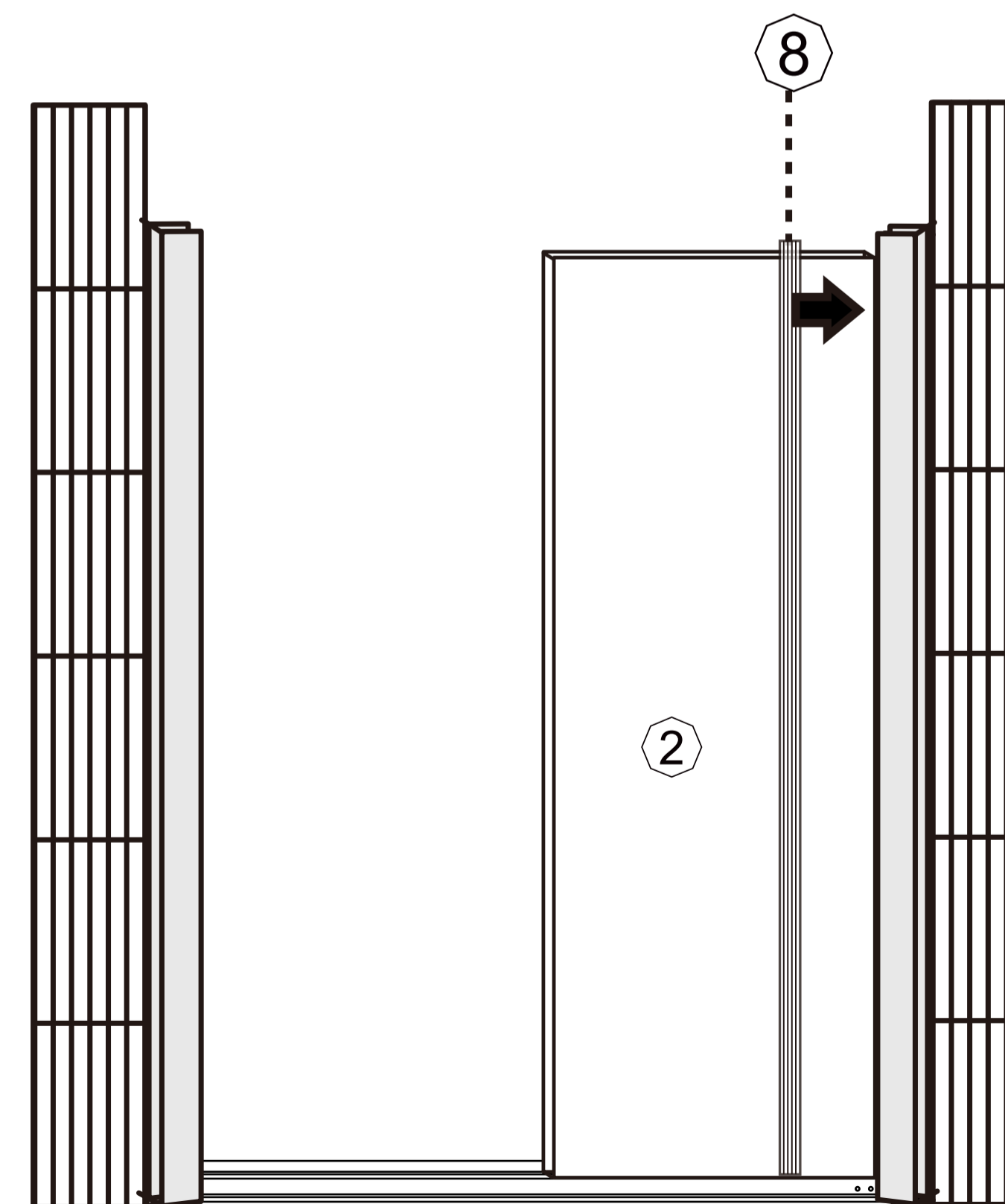
4. After removing the left, right, and bottom frames, drive 8 wall anchors (13) into the wall at the marked points. This step uses an Ø 1/4" drill bit to drill holes in the wall



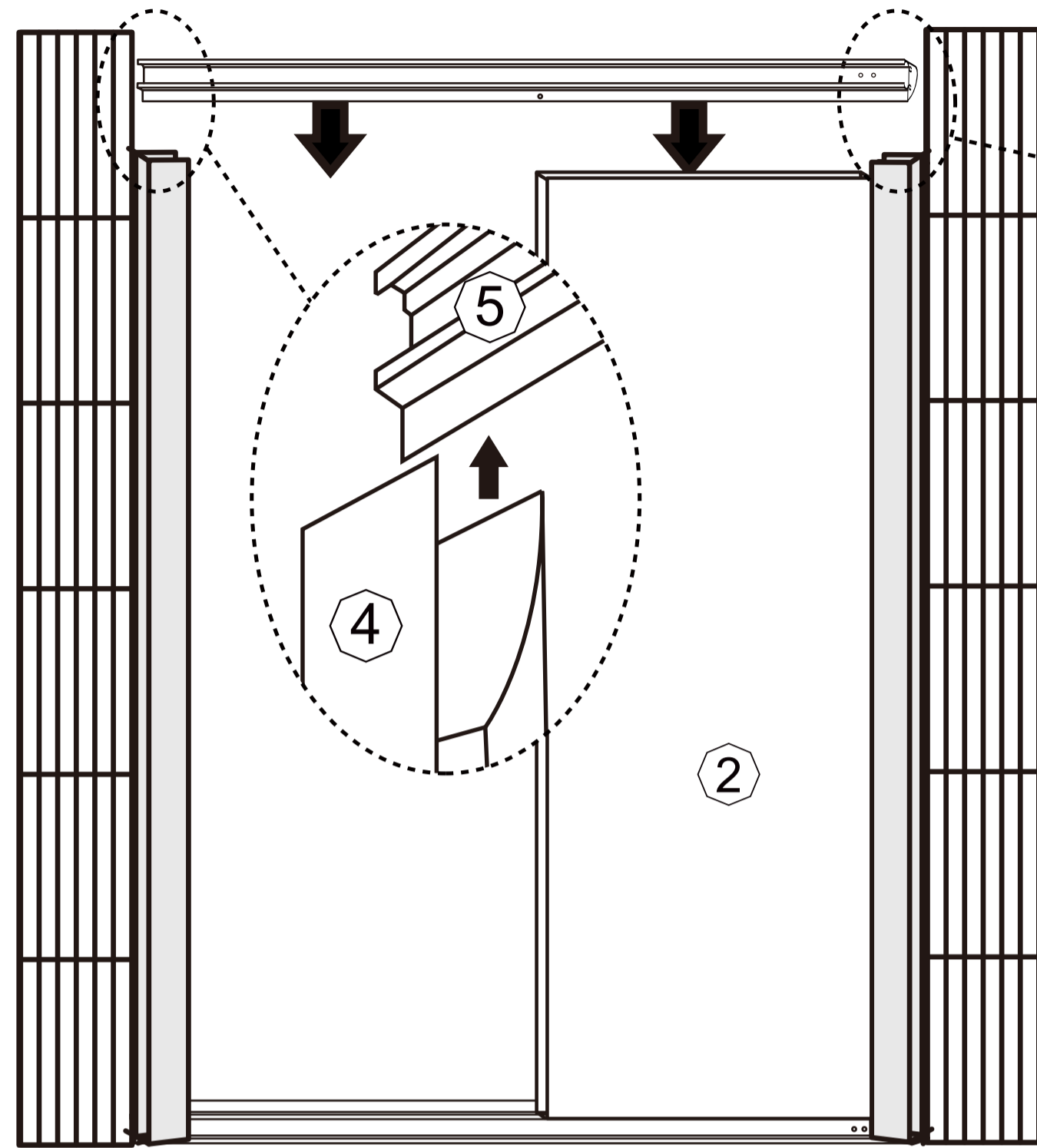
5. Put the bottom guide rail (5) and left and right wall profiles (4) back to the original position, (wall profiles (4) is stuck to the bottom guide rail (5), As shown in the small figure in the circle above). Lock the left and right Wall Profile (4) with Screws M4\* 30 (14).



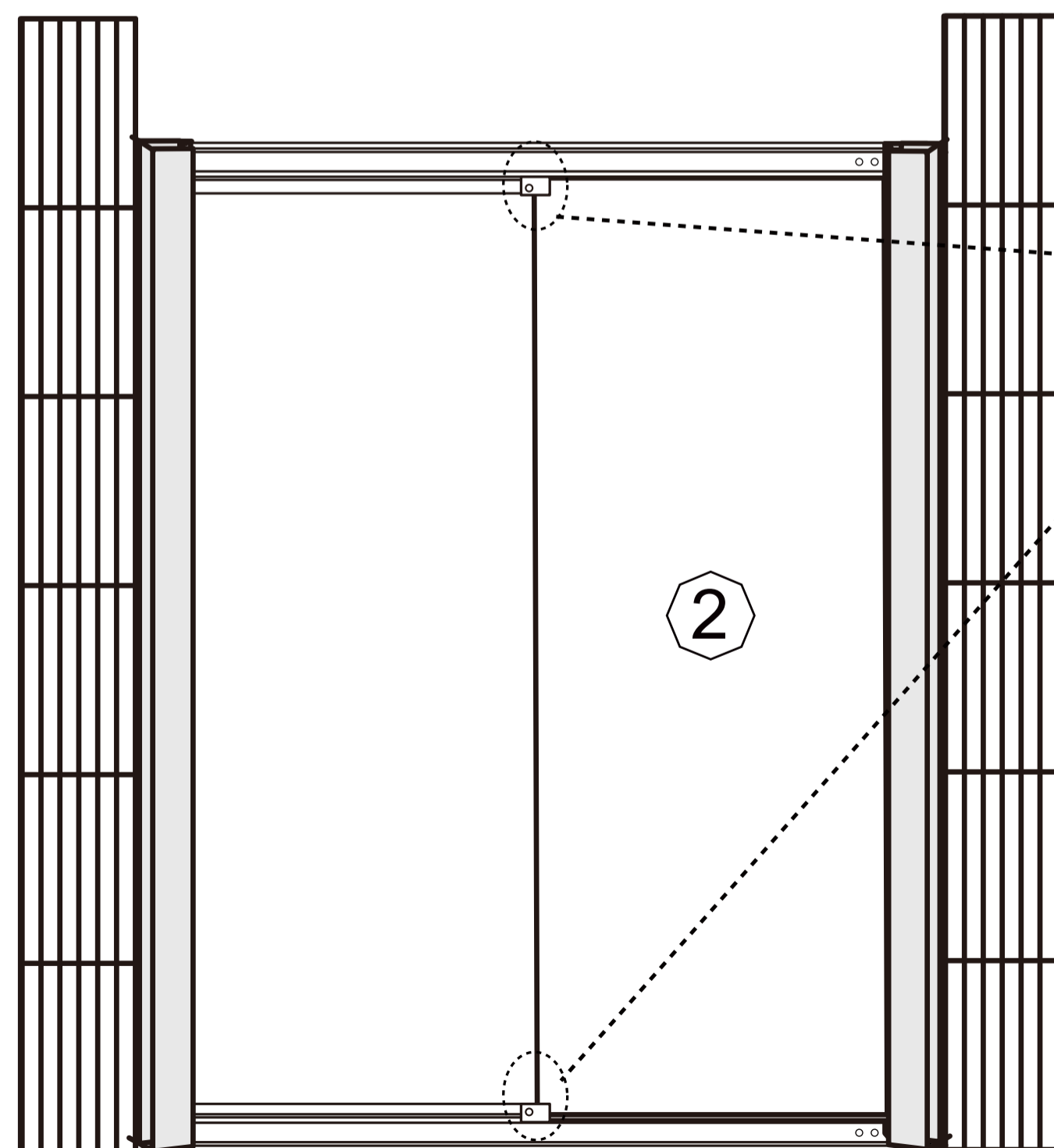
6. Insert the Stationary Glass (2) into the Wall Profile (4).



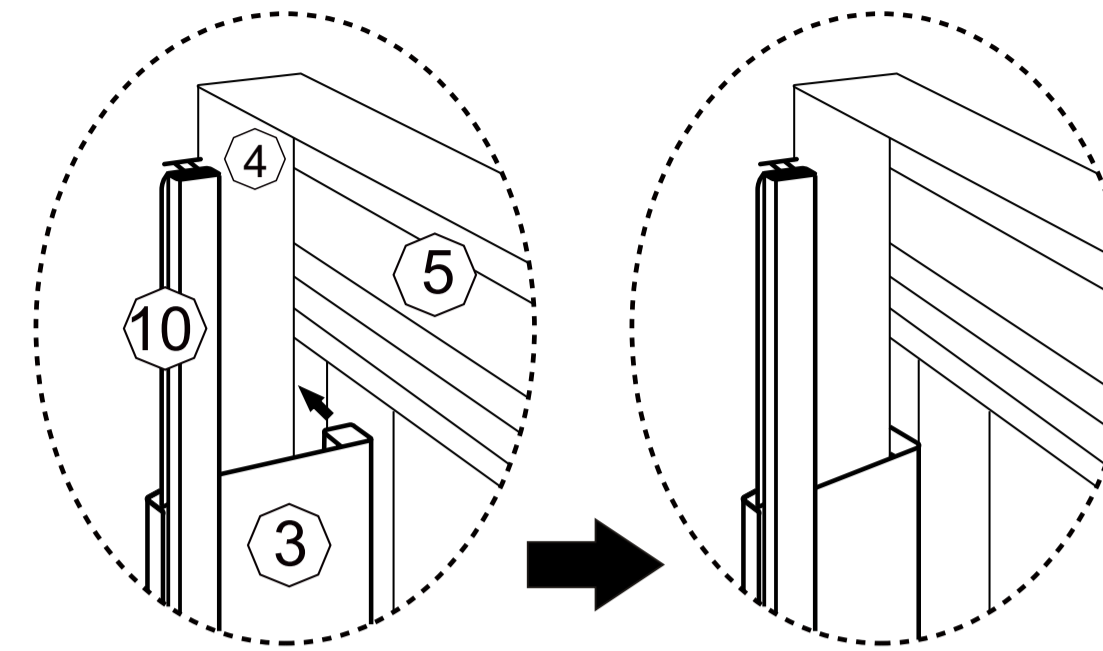
7. Insert Strap (8) into the Wall Profile (4), between the Wall Profile (4) and Stationary Glass (2) to facilitate fixing the glass.



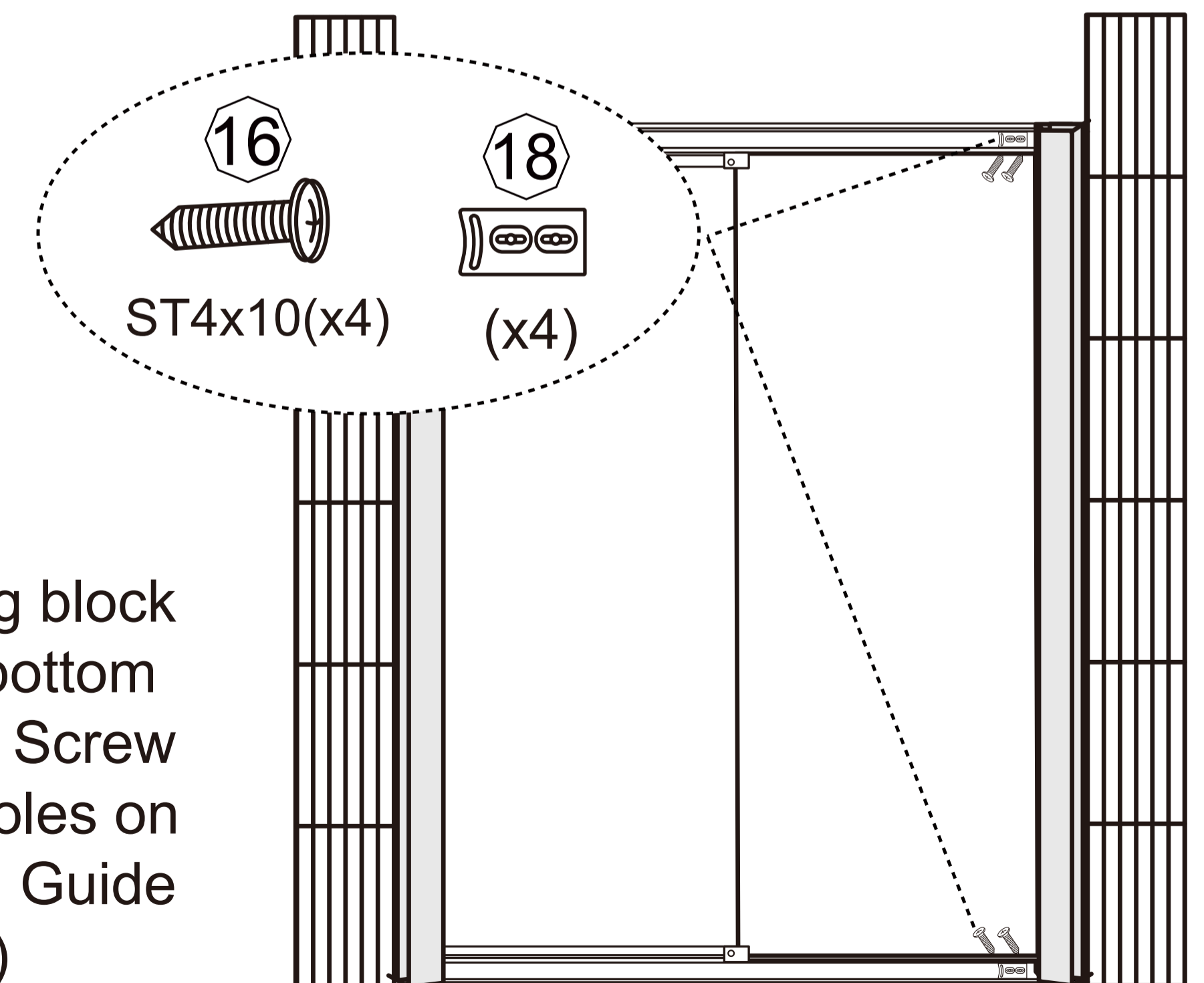
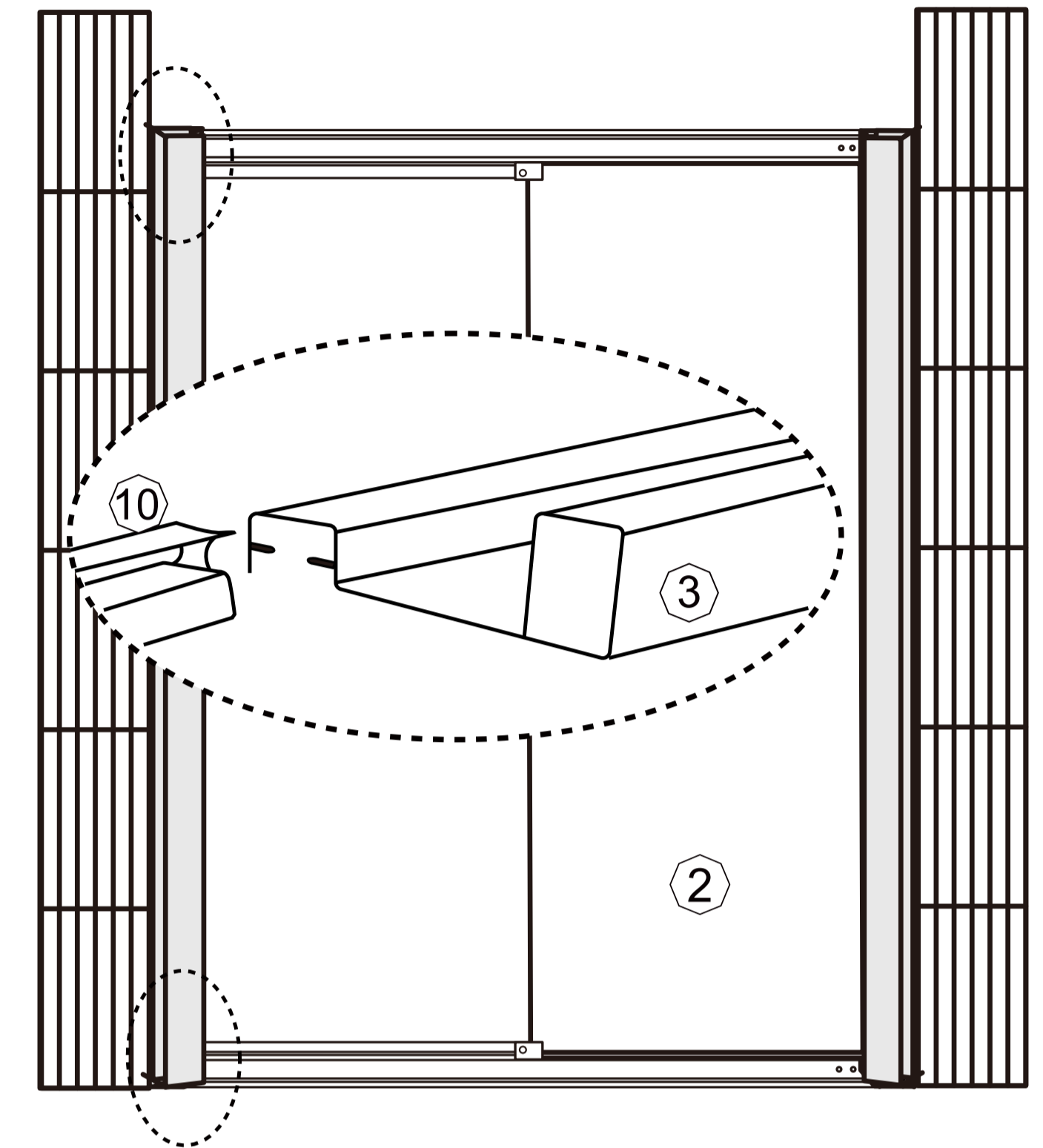
8. Insert the top Guide Rail (5) into left and right Wall Profiles (4).



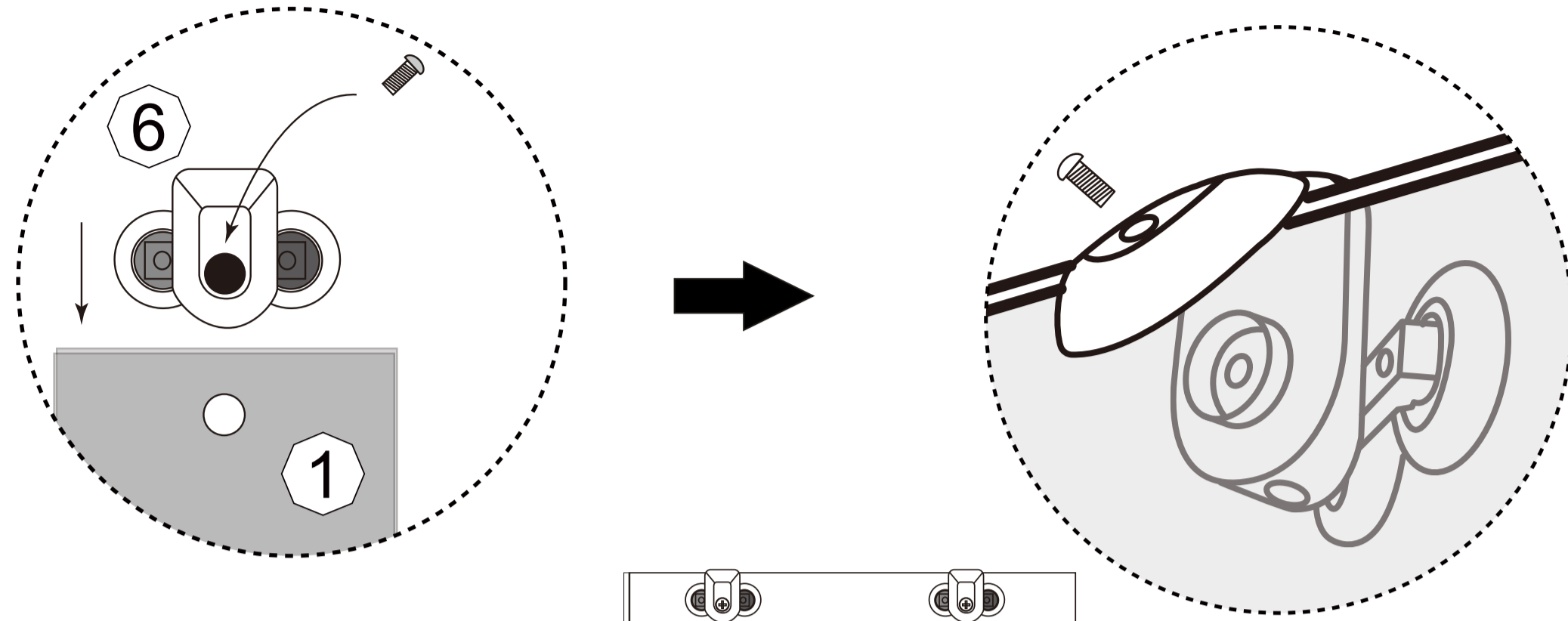
9. Lock two Pressing blocks (17) onto top and bottom Guide Rail (5) with Screw M4\*10 (16) and secure the glass.



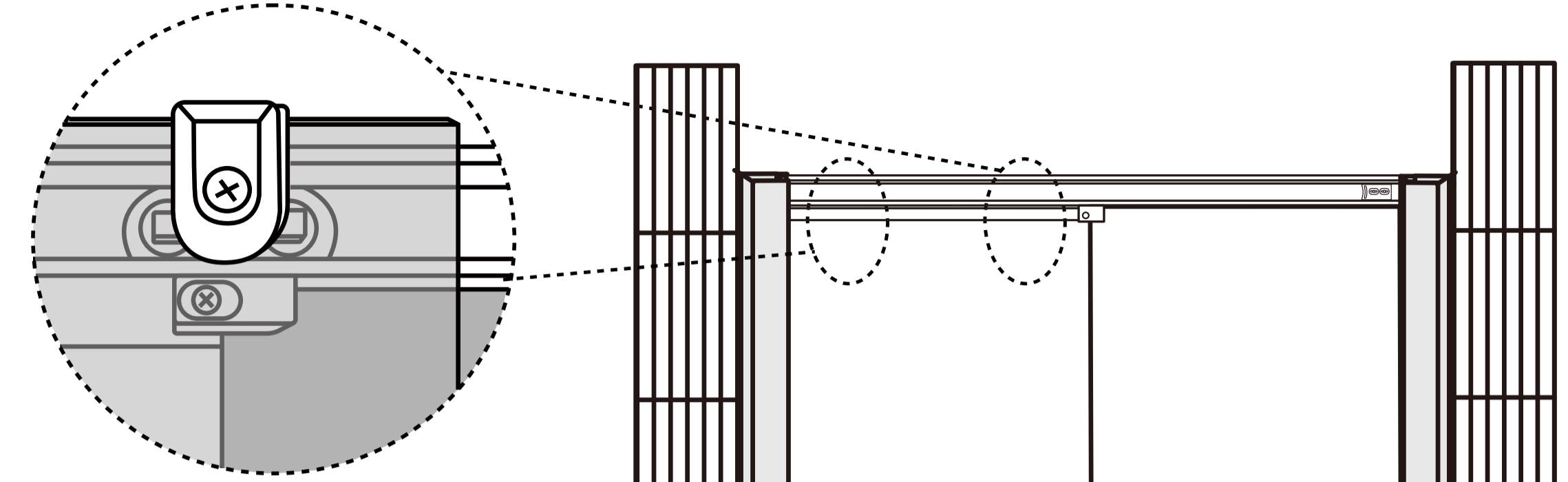
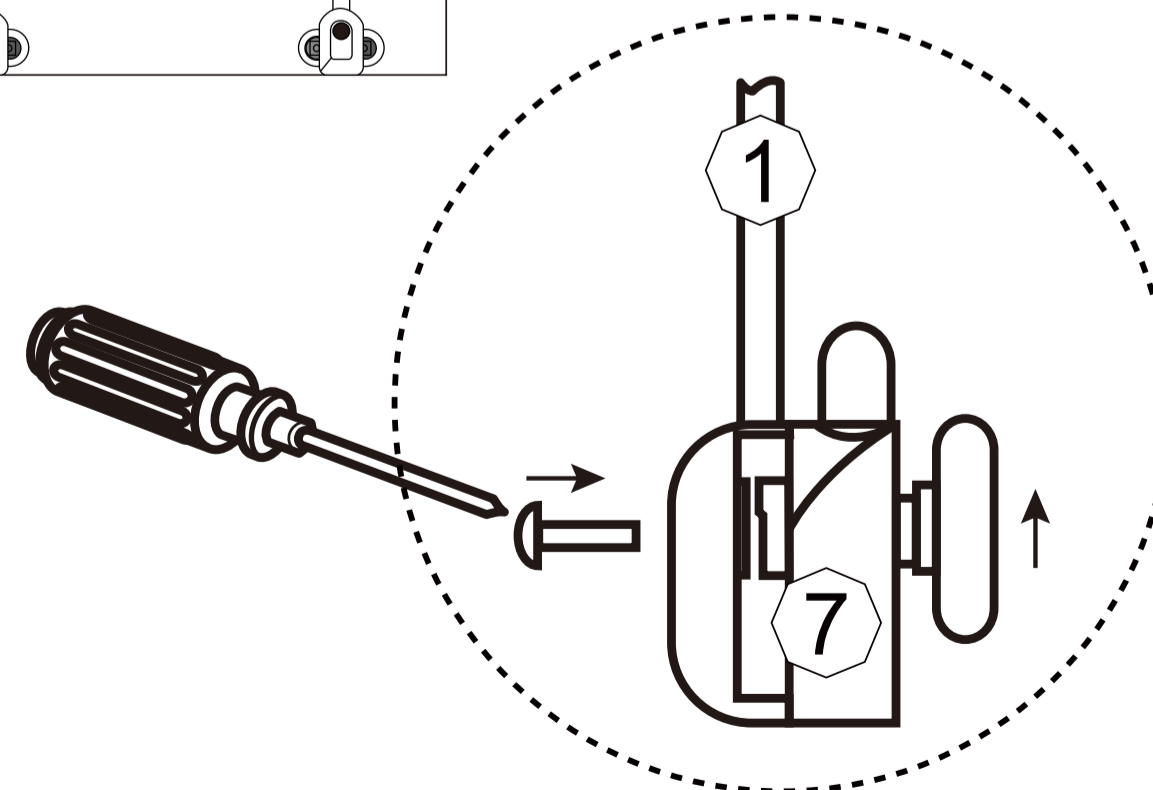
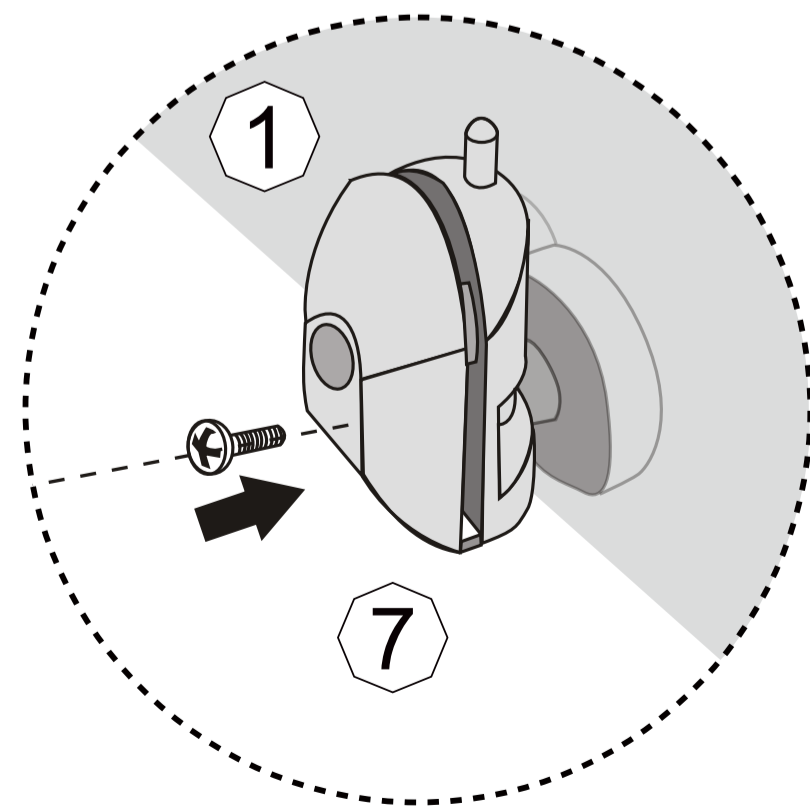
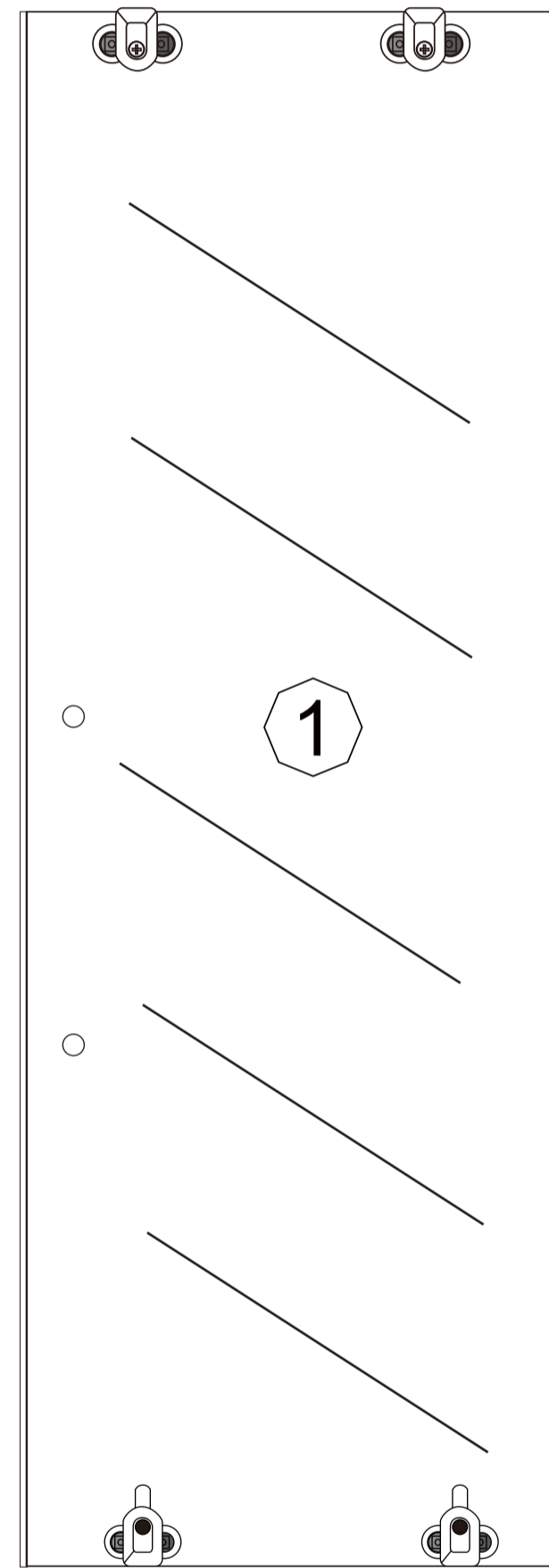
10. Insert the Suction Magnetic Strip (10) into the Aluminium for suction magnetic strips (3), Then put silicone on the Aluminium for suction magnetic strips (3), insert it into the Wall Profile (4).



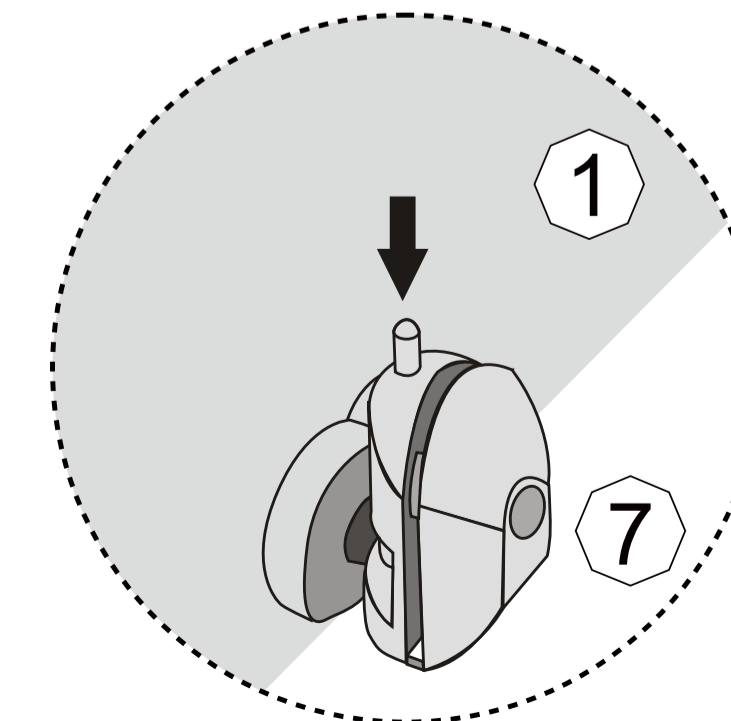
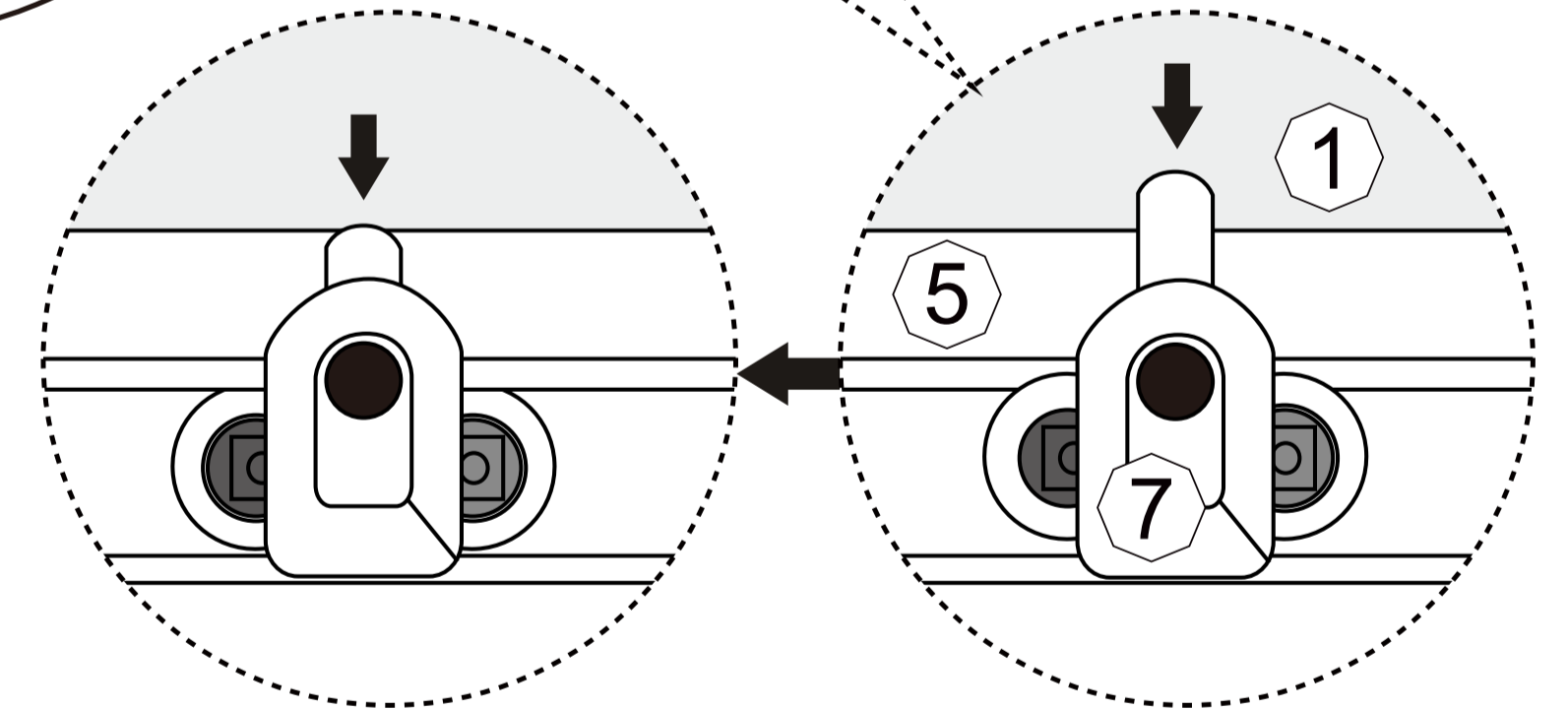
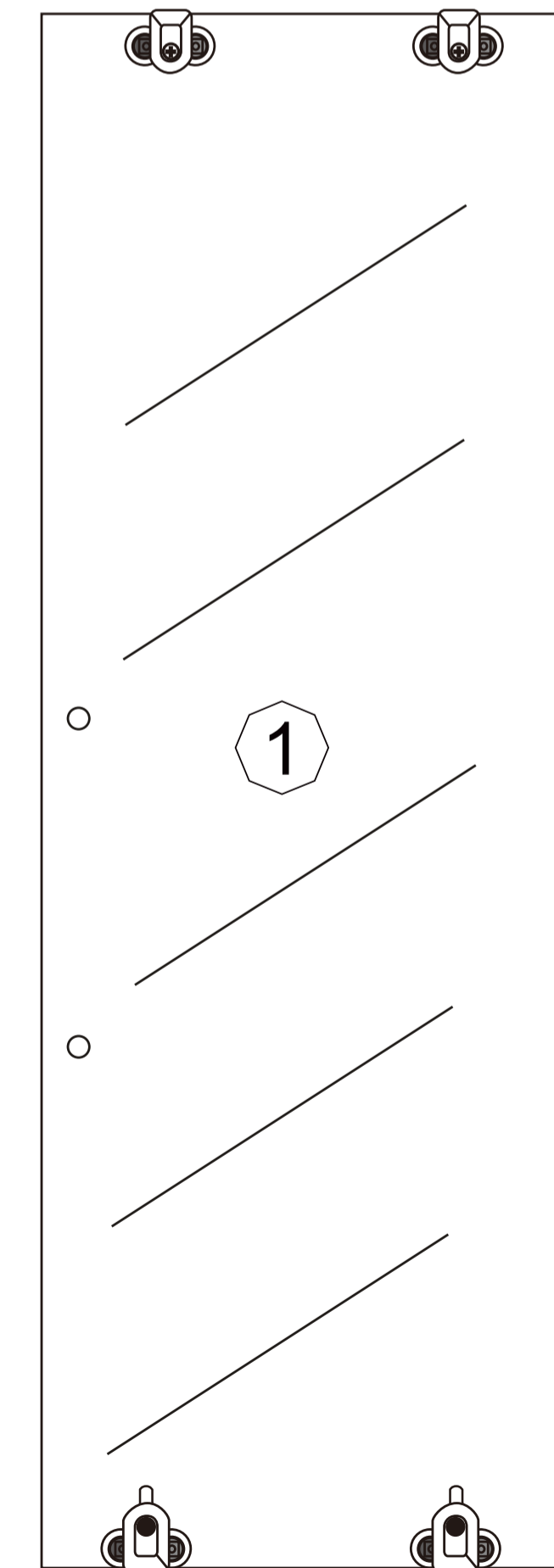
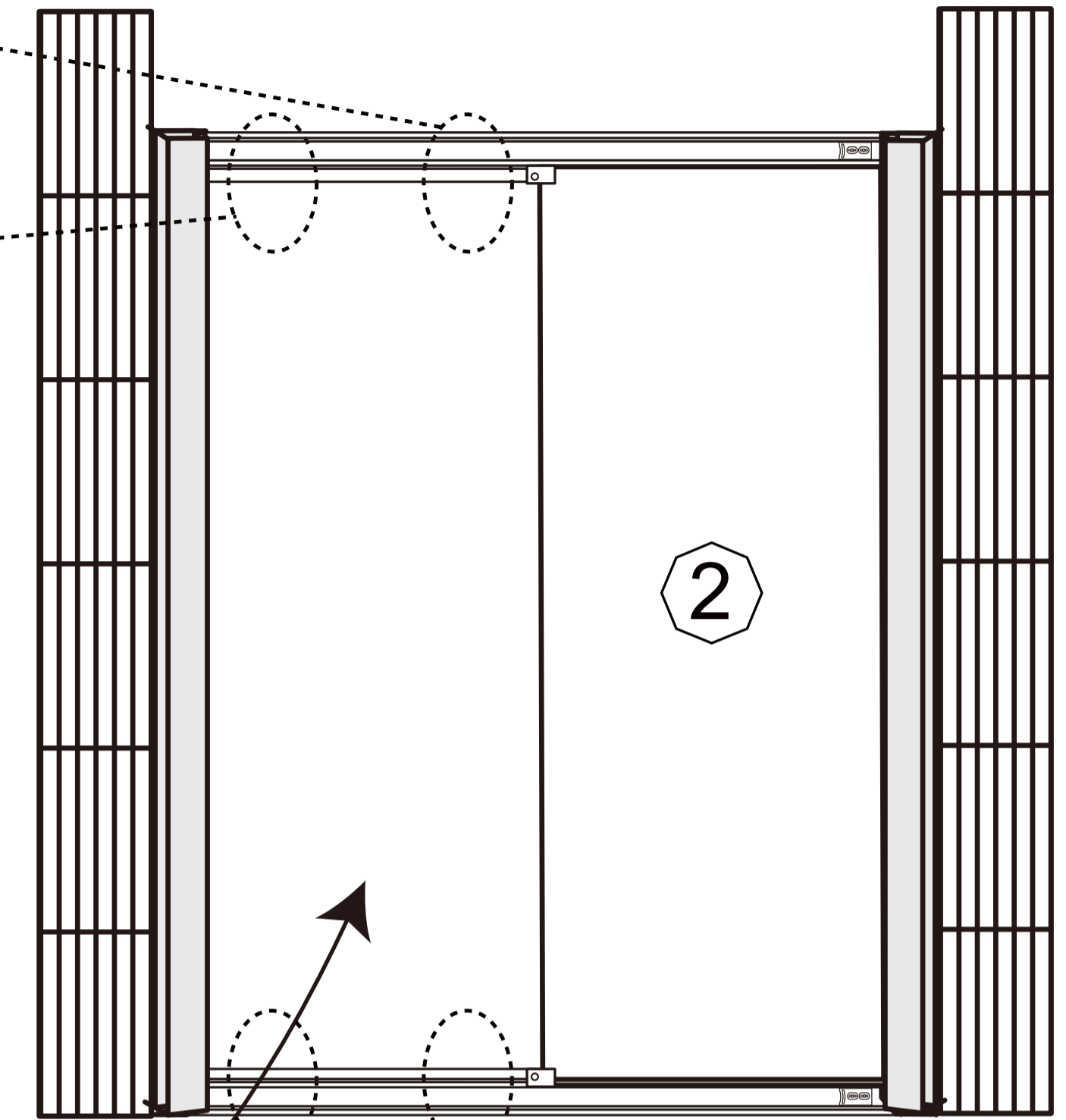
11. Lock Positioning block (18) onto top and bottom Guide Rail (5) with Screw M4\*10 (16) (The holes on the top and bottom Guide Rail are pre drilled)



12. Install Top Pulleys (6) and Bottom Pulleys (7) onto Glass Door (1) as shown in the figure.



13. Hang the Glass Door (1) with the top and bottom pulleys to the top and bottom Guide Rail (5), as shown in Figure.



Note: When installing the sliding glass door (1), press the button protruding from the top of Bottom Pulley (7) to allow Bottom Pulley (7) to snap into the slot of Bottom Guide Rail (5) for easy installation.