

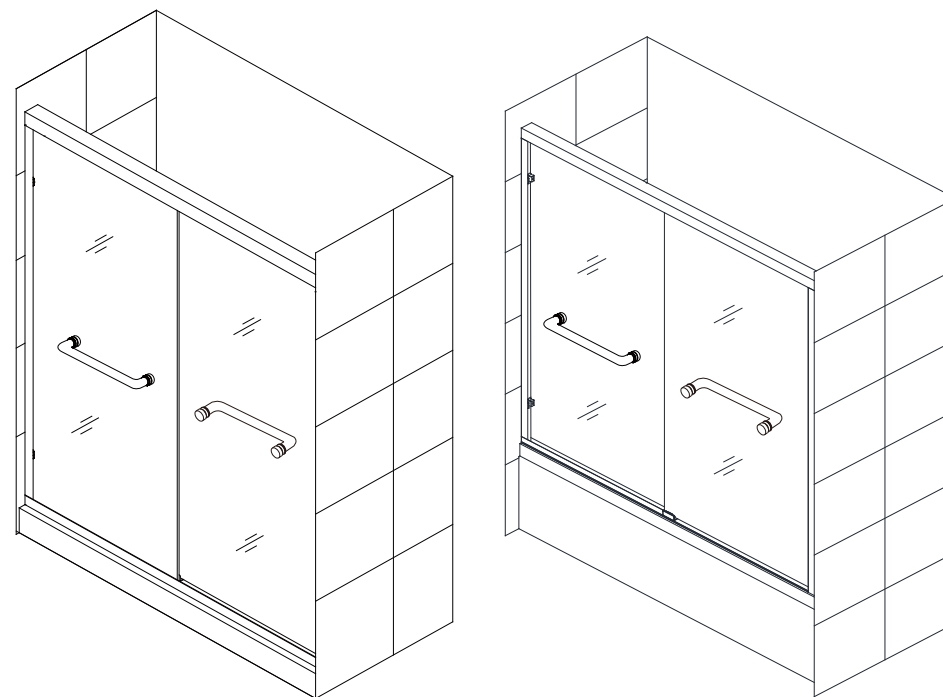
Parts List



INSTALLATION INSTRUCTIONS

SHOWER DOOR

DELAVIN B101CXS



E-MAIL: service@delavinhome.com



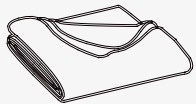
Please read all instructions carefully before installation.



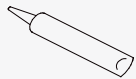
Due to the complexity of the installation process, professional personnel are recommended.

Tools Required

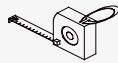
Other tools may be required



Soft Cloth or Blanket



Caulk



Tape Measure



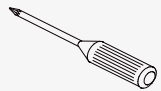
Drill Bit
(Ø = 1/8")



Drill Bit
(Ø = 5/16")



Pencil



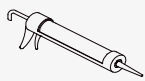
Phillips Screwdriver



Safety Glass



Level



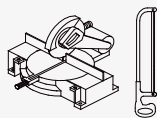
Caulk Gun



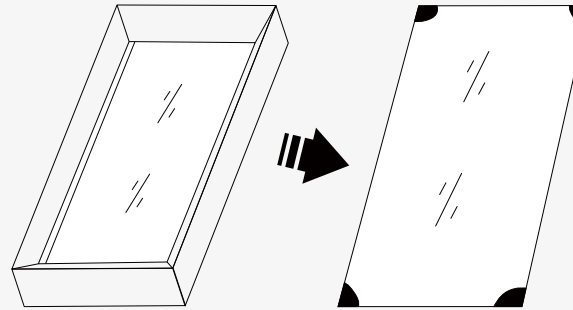
Drill



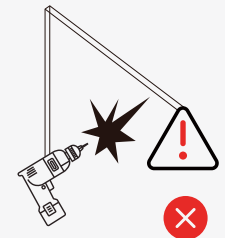
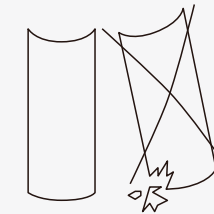
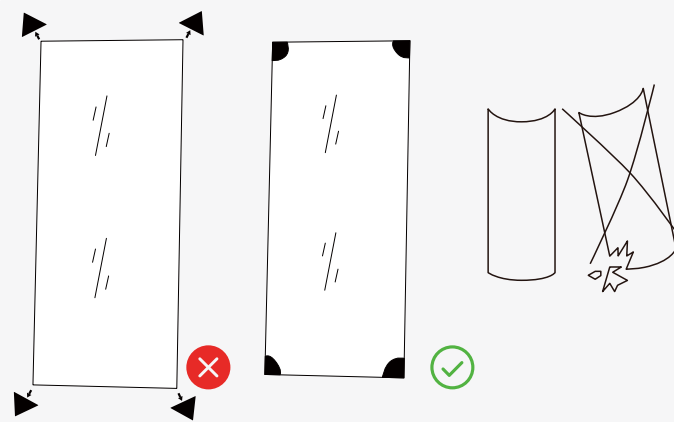
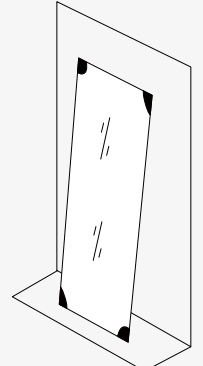
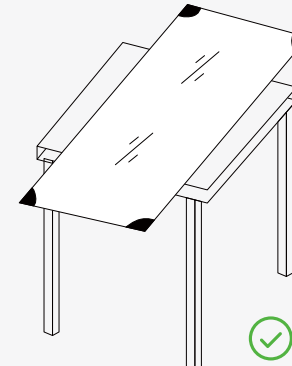
Hammer



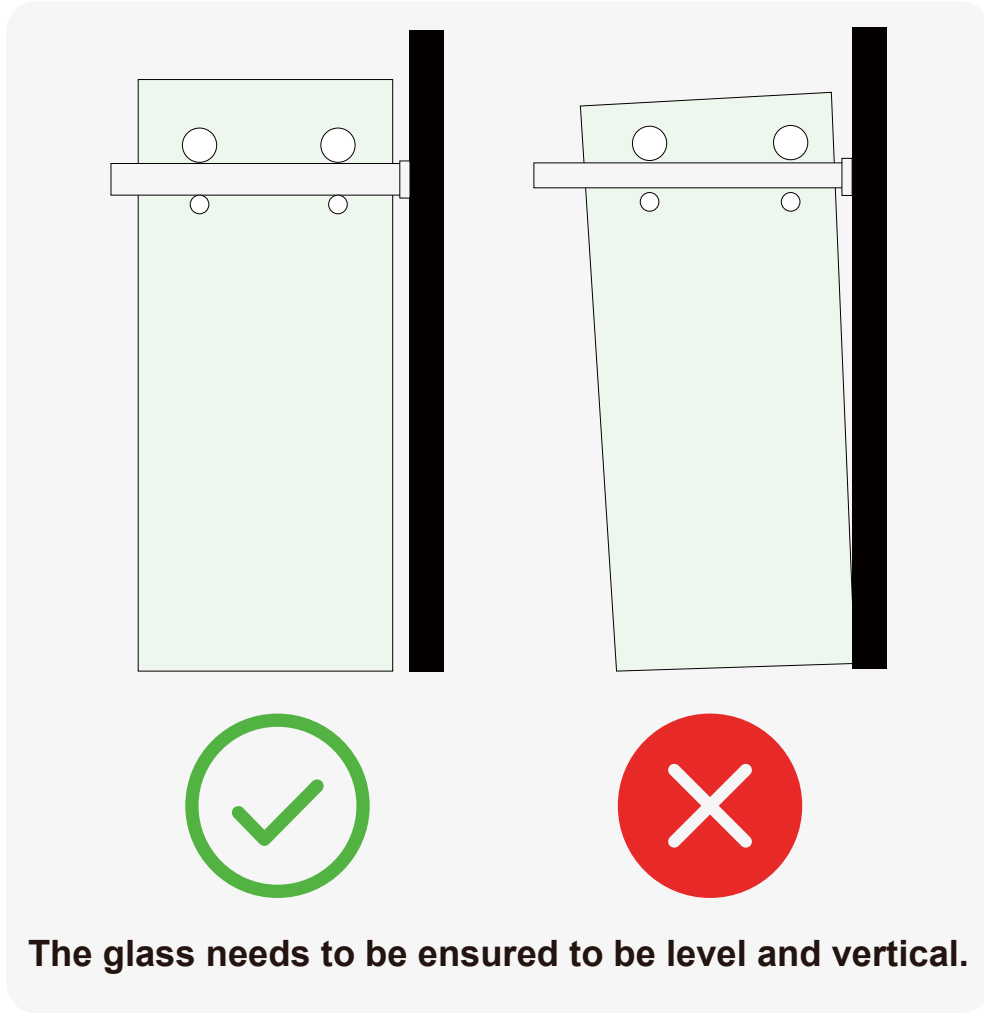
Mitter Saw or Hacksaw



Be careful when moving the glass and properly place the glass.

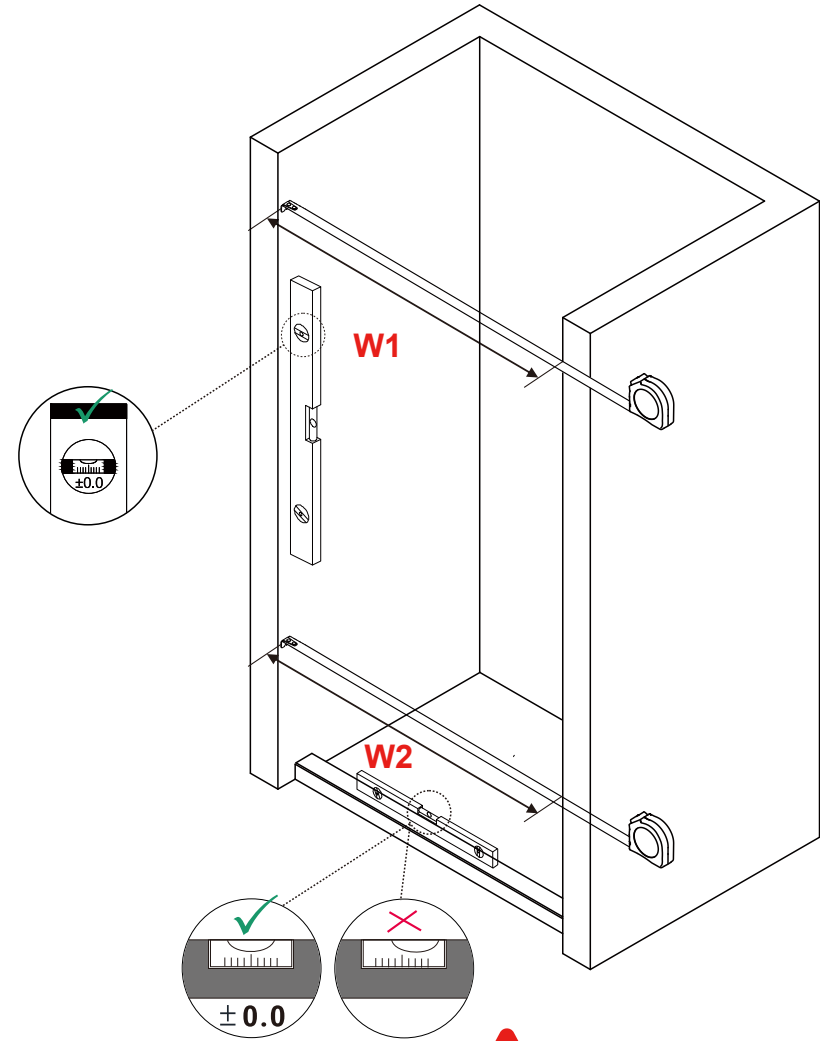


Do not remove the corner guard in advance.
Do not let the corners of the glass collide with a hard surface.
Do not drill glass with a drill bit.



The glass needs to be ensured to be level and vertical.

! Make sure that the wall and the base are level.



W1=W2

! Measure the Width of W1 and W2 carefully, make sure the width of the upper and lower walls is consistent before installation.

IMPORTANT SAFTY INFORMATION



PLEASE READ WARNINGS

Improper use can cause safety hazards, or damage to your product and your home.

Warning	Do	Don't
Serious injury may occur.	<ul style="list-style-type: none"> Assemble following all instructions using all indicated parts and hardware provided. This product must be installed by an adult. Keep children and animals away While installing the product. Improperly assembling or positioning the product may be dangerous. 	<ul style="list-style-type: none"> Do not move unit when loaded. Do not attempt to install it alone, as the product is relatively heavy and prone to damage and injury.

Get Ready to Assemble

For best results, keep these tips in mind:

- ① We know you want to finish this assemble as quick as possible, but trust us: you'll have a better experience if you take it one step at a time.
- ③ Give yourself some space to work near where you want to put this product

DO

- ✓ After unpacking, verify that all parts are included using the Shower Door Components Detail Sheet and check for shipping damage. If there are issues, contact customer support.
- ✓ Consult local building codes if you're unsure about installation compliance.
- ✓ Ensure the installation surface is level, solid, and can support the unit's weight, and that walls are at right angles.
- ✓ Protect all major surfaces of the product during installation.

- ② We strongly recommend that this product be installed by a licensed and insured professional contractor, including the assistance of a second person during installation.
- ④ If your floor isn't carpeted, assemble this product on the empty carton to avoid scratching.

DON'T

- ✗ Irregular mounting surface levels or improper angle of side walls will cause serious problems during installation.
- ✗ Never place glasses directly on tile floors. Leave the corner protector in place until it needs to be removed.
- ✗ Do not attempt to use this product before all steps have been completed.
- ✗ Do not install the product directly, please make sure that all accessories are included and there is no damage.

Consumer Service

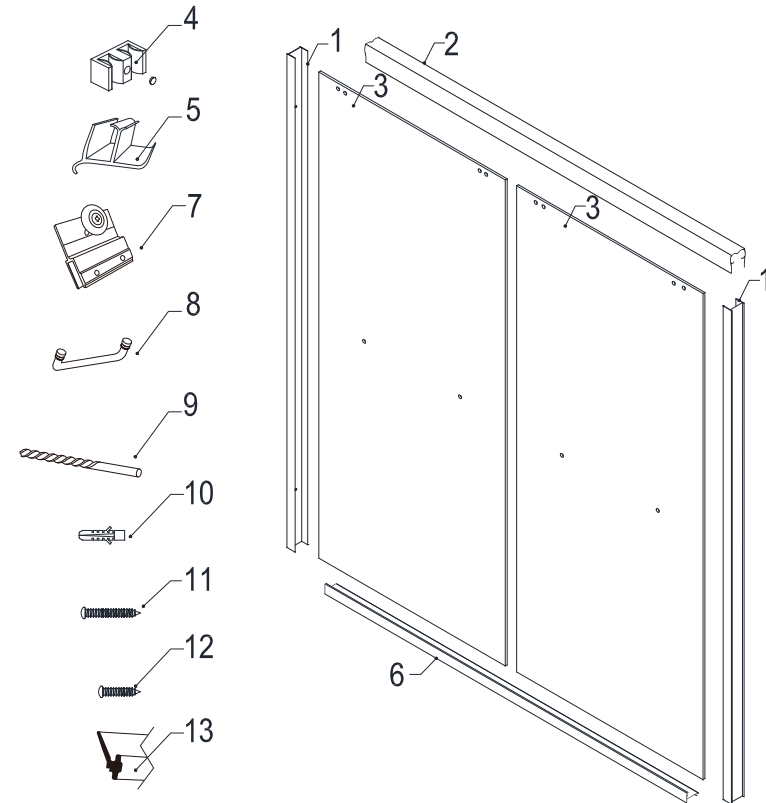
If necessary, to quickly free replace damaged/missing parts. Simply have your order ID, instruction manual, and part number/description ready when you write an email to us. It's that easy.

Contact us

Monday to Sunday (Except holidays)

We will respond within 24 hours.

E-MAIL:
service@delavinhome.com

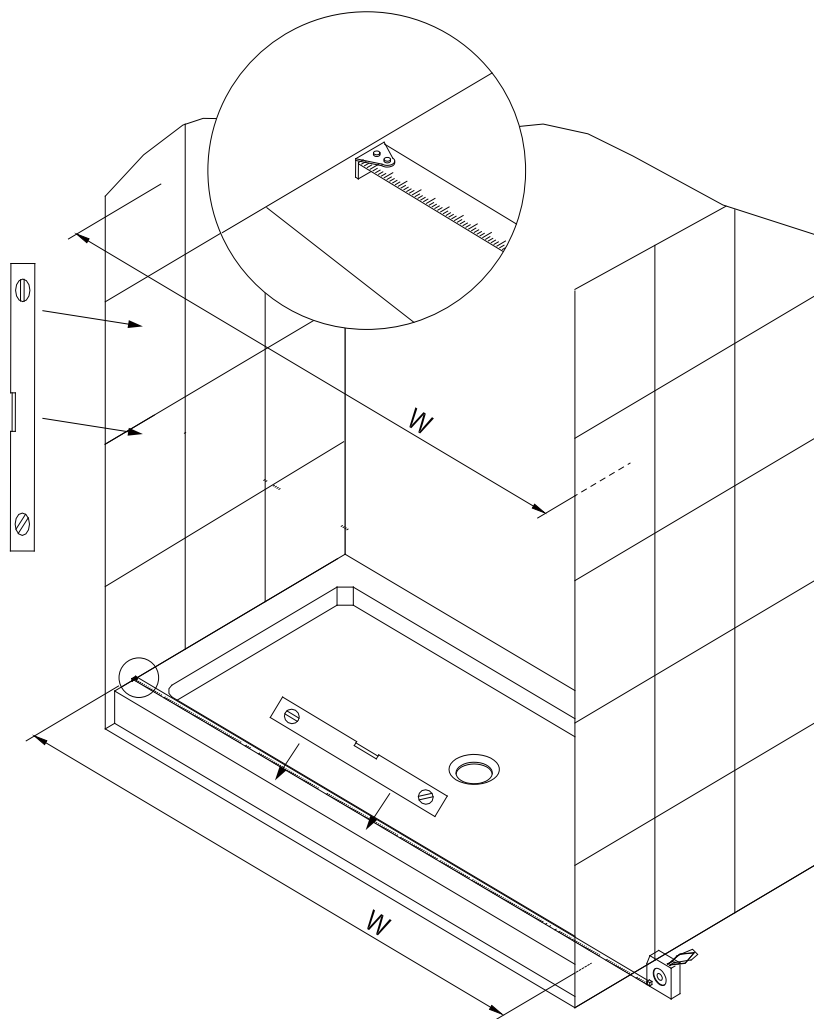


Parts List					
#	ITEM	Qty	#	ITEM	Qty
1	Wall Profile	2pcs	8	Handle	2pcs
2	Upper Guide Rail	1pcs	9	Drill Bit Ø 1/8"	1pc
3	Door Glass	2pcs	10	Wall Anchor	4pcs
4	Wall Profile Bumpers	4pcs	11	Screw 4x30	4pcs
5	Guide Block	3pcs	12	Screw 4x12	2pcs
6	Bottom Guide Rail	1pc	13	Anti-Water Strip	1pc
7	Roller Connector	4pcs			

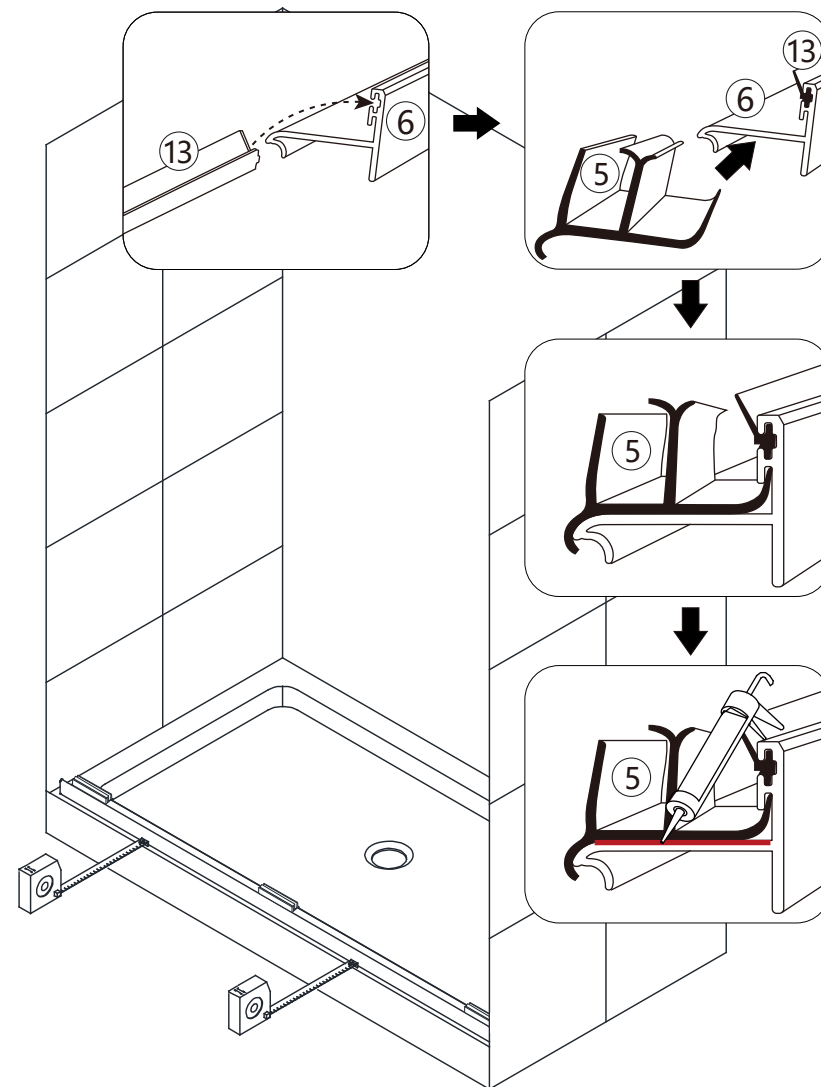
TEAR OFF THE GLASS PROTECTIVE FILM BEFORE INSTALLATION

Installation steps

1. Measure the finished opening width at the bottom and at the top. Measure and appropriate adjust the size of the upper rail (#02) and bottom rail (#06) according to the width measured above. Also check the threshold for level and the walls for plumb.



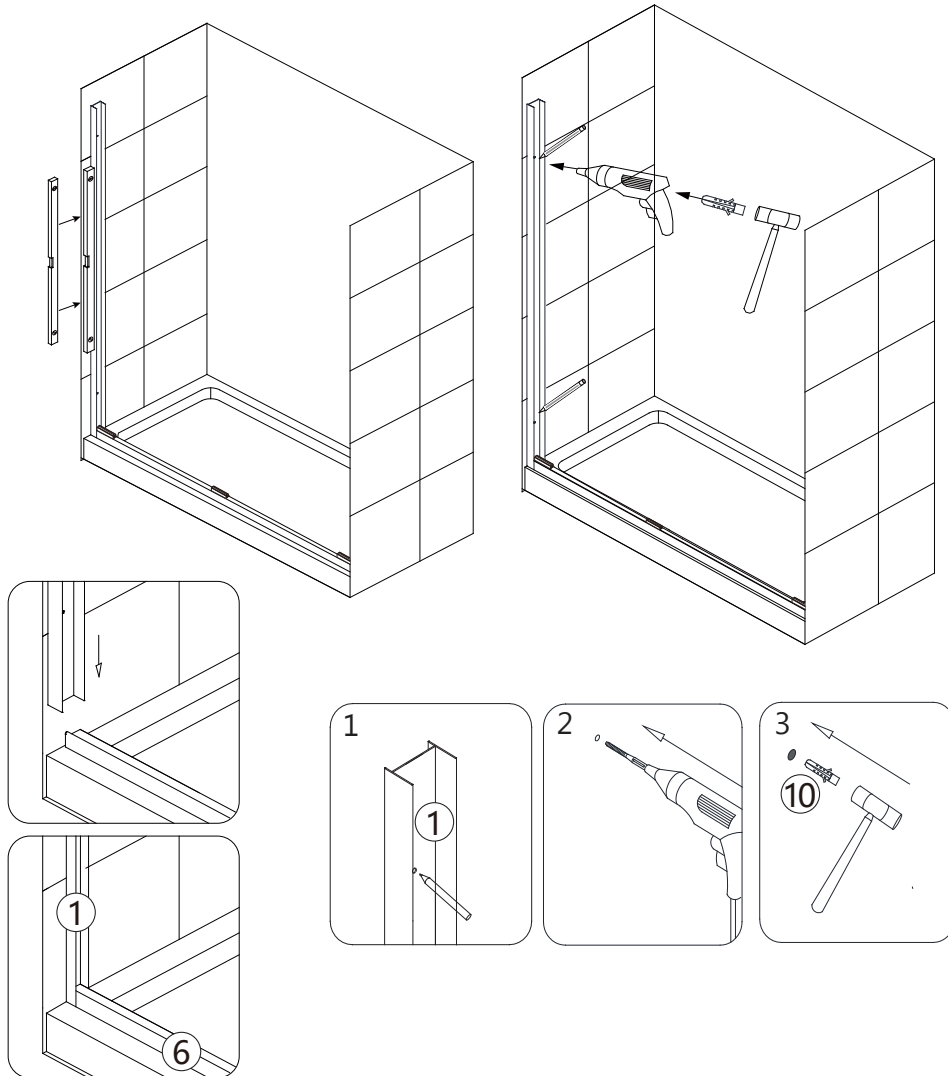
2. Place the Bottom Guide Rail (#06) onto the threshold in the desired position. Use a tape measure to align it evenly with the front edge of the threshold and mark its position on the threshold. As shown in the diagram on the right, insert the Anti-Water strips (#13) into the groove of the bottom guide rail (#06), with the water-blocking edge facing upwards. Place 3pcs Guide Blocks (#05) on both sides and in the middle of the bottom guide rail (#06), and insert the upturned side into the lower groove of the bottom guide rail(#06). Then apply silicone to the bottom Guide Blocks (#05) to fix the Guide Blocks (#05) onto the bottom guide rail (#06). Apply silicone to the bottom surface of the bottom guide rail (#06) and place it back into the marked position on the threshold.



3. Place the left and right Wall profiles (#01) vertically on the left and right walls, stand on both ends of the Bottom Guide Rail (#06) and mark the 4 fixed holes position of the left and right Wall profiles (#01) on wall.

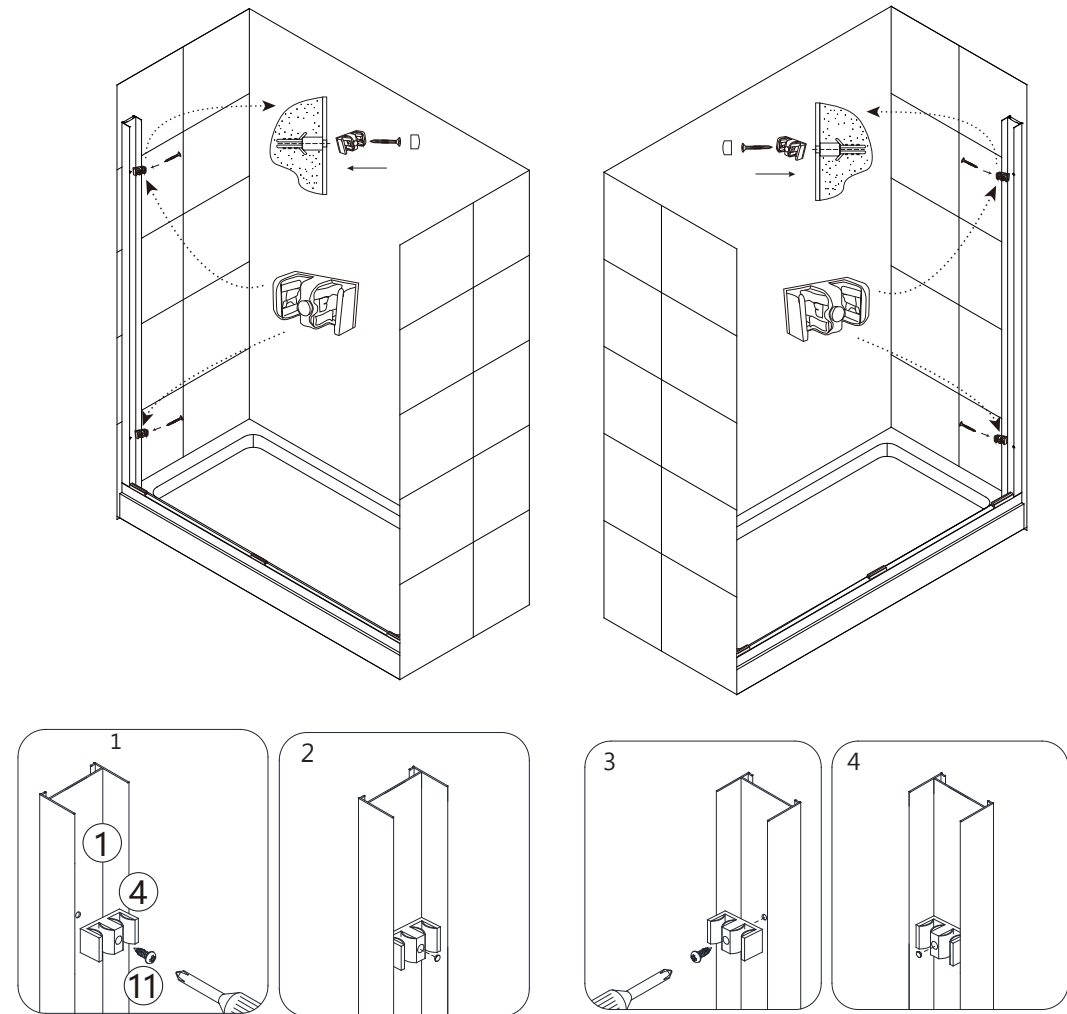
Remove the wall profile and drill holes at the marked position and apply silicone to the holes then insert the Wall anchors (#10).

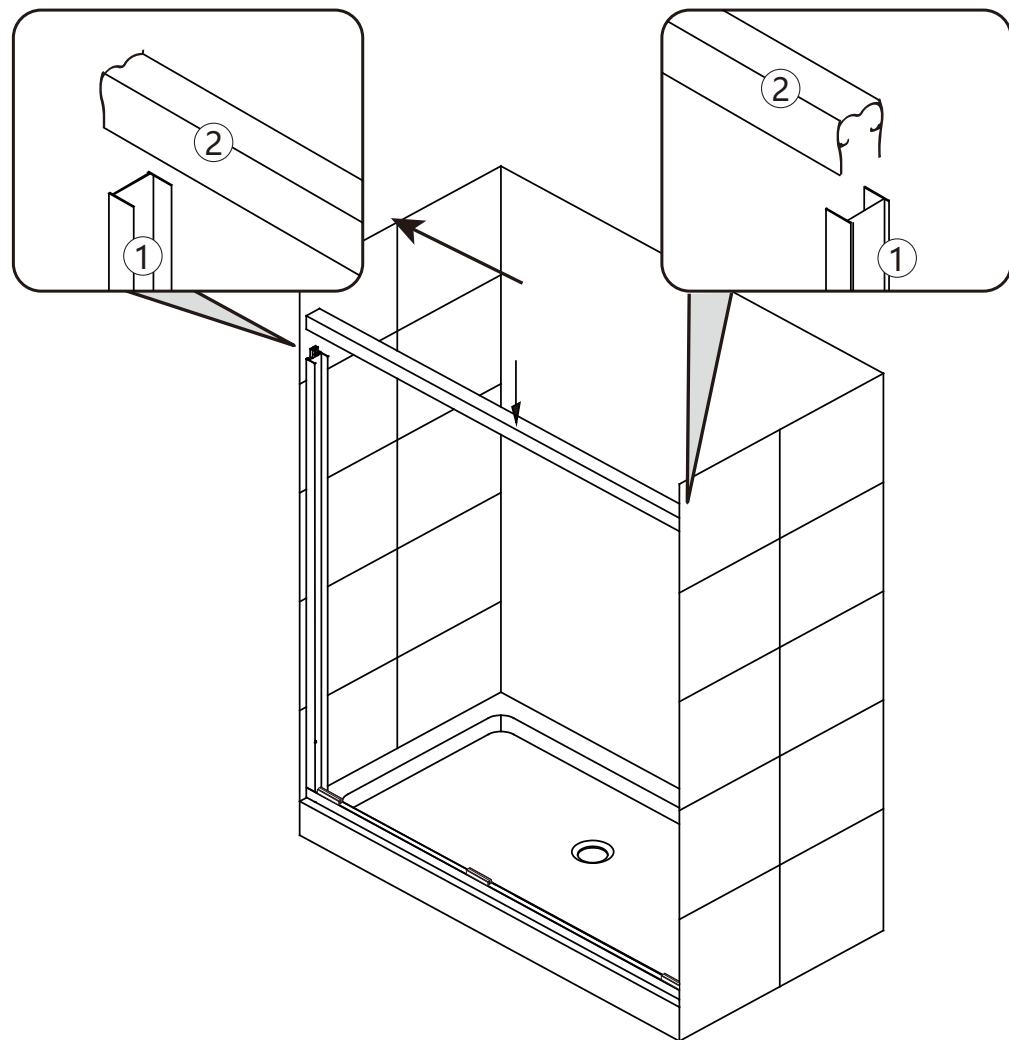
This step uses an Ø 5/16" drill bit to drill holes in the wall.



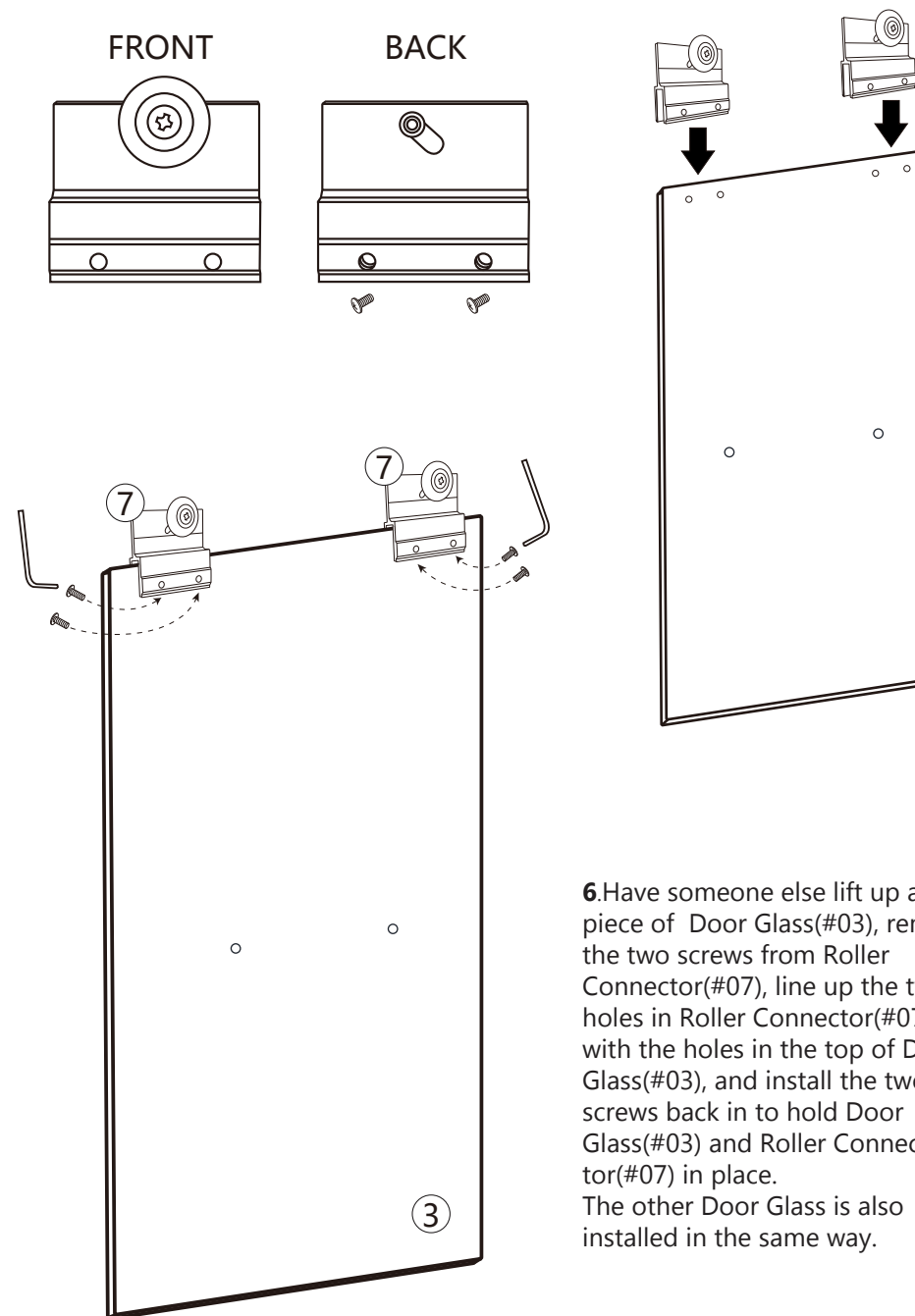
4. After placing the Wall anchors (#10), place back the two side Wall Profile (#01) on the ends of the Bottom Guide Rail (#06) against the wall.

Replace the cross drill bit of the electric drill, match the holes on Wall Profile Bumpers (#04) with the four holes on the wall in the previous step, use screws 4 x 30 (#11) to fix Wall Profile Bumpers (#04) for each hole, and cover the holes with the decorative caps.

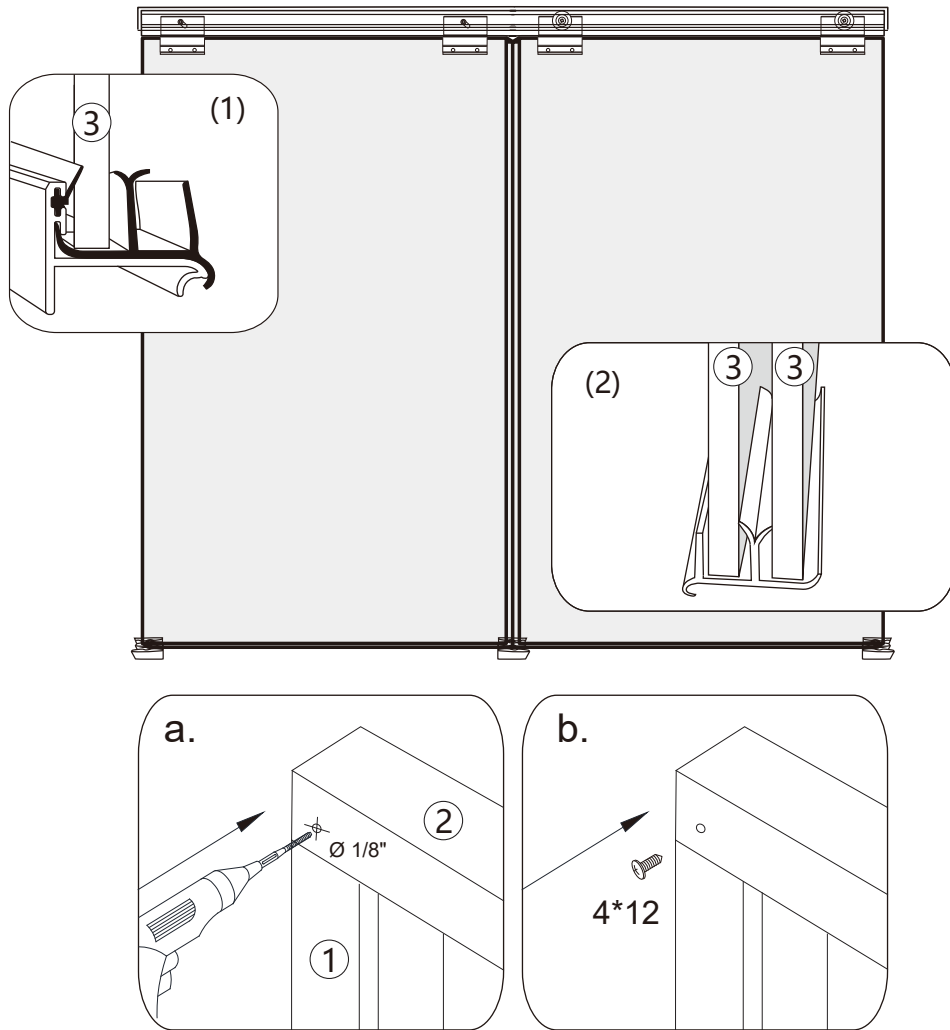




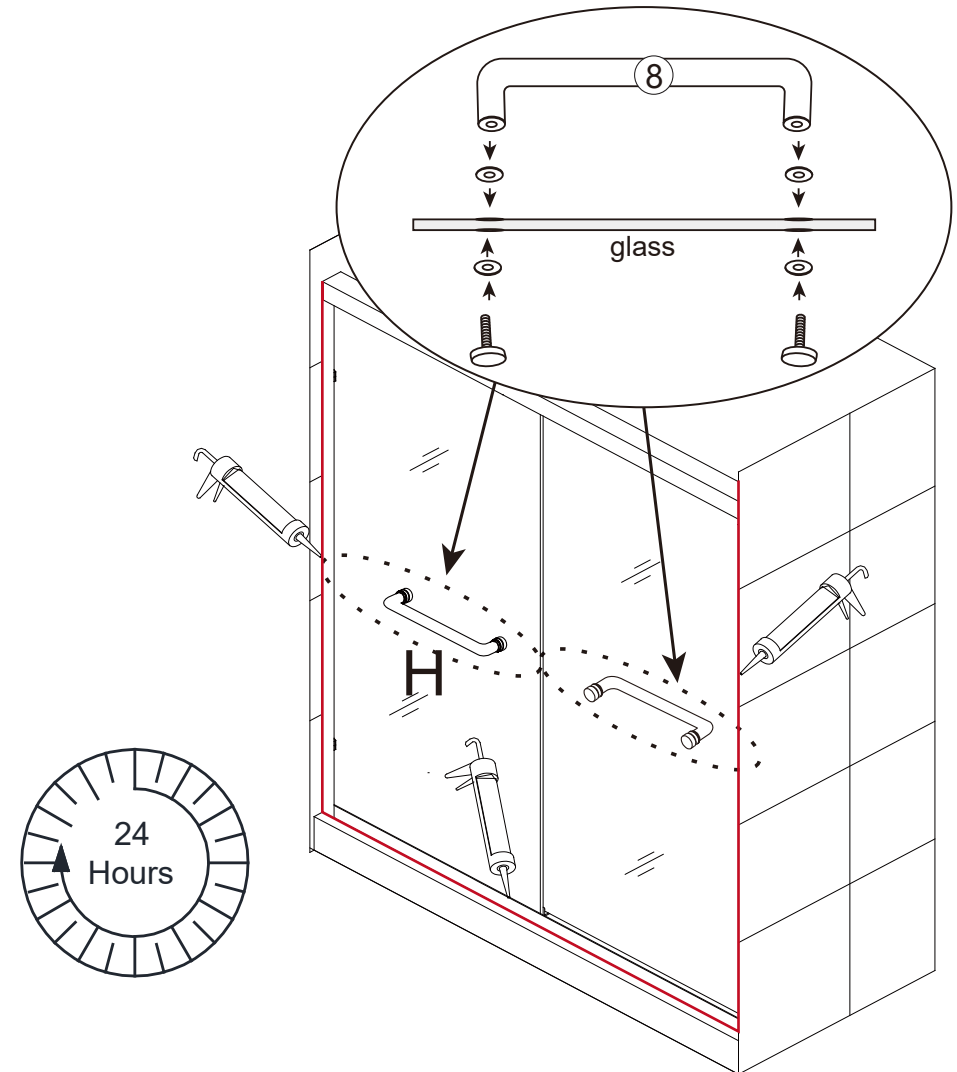
5. Put the Upper Guide Rail(#02) on top of the two side frames.



6. Have someone else lift up a piece of Door Glass(#03), remove the two screws from Roller Connector(#07), line up the two holes in Roller Connector(#07) with the holes in the top of Door Glass(#03), and install the two screws back in to hold Door Glass(#03) and Roller Connector(#07) in place. The other Door Glass is also installed in the same way.



7. Lift up the Door Glass (#03) that has already installed the Roller Connector (#07) and place the wheels of Roller Connector (#07) into the track of the Upper Guide Rail (#02), and put the bottom of the glass into Guide Block(#05) as shown in Figure (2).
 Note: Hang the glass near the Bottom Guide Rail (#06) first as shown in the Figure (1). After install the glass, use Screw 4x12 (#12) at both ends of the Upper Guide Rail (#02) to lock the side Wall Profile (#01) and the Upper Guide Rail (#02). This step uses a $\varnothing 1/8"$ drill bit (#09) to drill holes in the overlapping portion of the Wall Profile (#01) and the side of the Upper Guide Rail (#02). As shown in figure a b above.



8. Disassemble the Handle(#08) as shown in the figure, make sure there is a rubber sheet (protective glass) between the glass on both sides and Handle(#08), then Install the Handle(#08) on the glass corresponding to the two holes on the glass. (Note: The accessories that need to be installed on the Handle(#08) are already on the handle, and they need to be unscrewed and installed as shown in the figure.)

9. Apply good quality mildew-resistant silicone to the entire interior perimeter where the wall profile meets the wall and along the threshold. Allow 24 hours for the silicone to fully cure before using the shower.